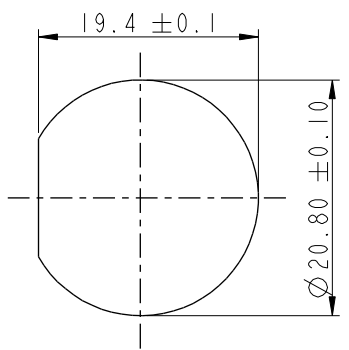
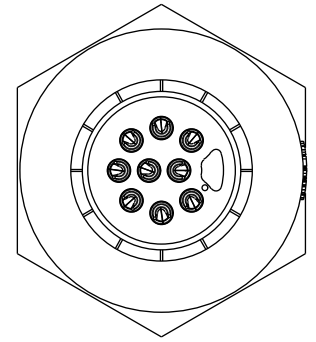


THIS DOCUMENT IS SUBJECT TO CHANGE WITHOUT NOTICE. IT IS CONFIDENTIAL AND A PROPERTY OF Amphenol LTW. DISCLOSURE TO THIRD PARTY HAS TO BE AUTHORIZED BY Amphenol LTW.

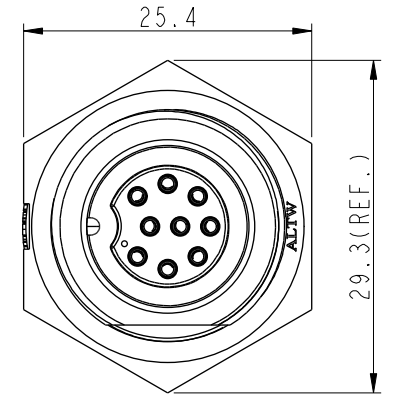
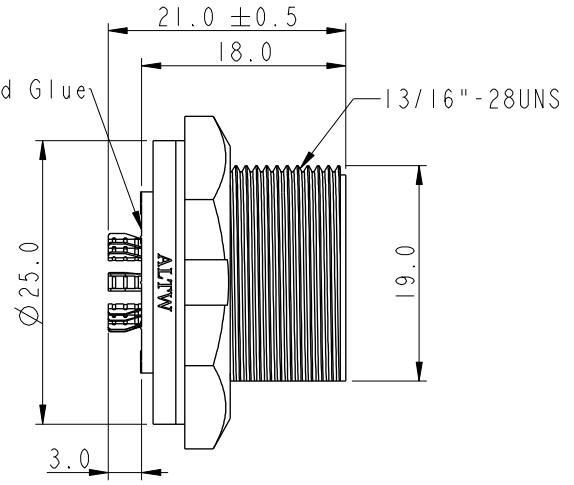
REV.	ECN NO.	DATE	SIGN	DESCRIPTION
B	C190348	2019/03/06	Vicky	Change Note



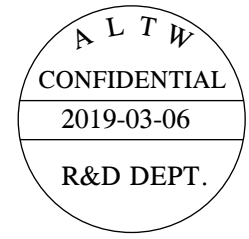
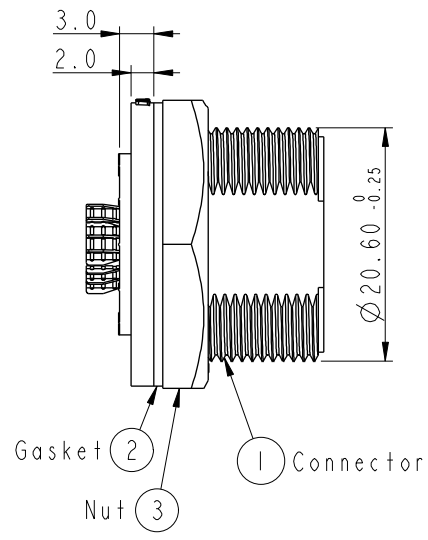
Recommended Panel  
Cut-Out



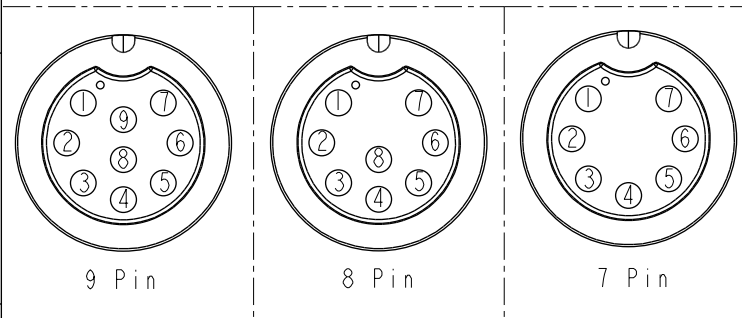
With Liquid Glue



ACD-XXPMFS-SC7001  
07: 7Pin  
09: 9Pin



- Note:**
- \* CC Important Dimension To Check.
  - \* Waterproof Rate: IP67, Unmated.
  - \* Housing: Thermoplastic, Black
  - \* Pin: Copper Alloy, Gold Plated.
  - \* Gasket: Rubber, Gray.
  - \* Nut: Thermoplastic, Black.
  - \* Use with waterproof cap or dust cap  
Maximum Panel Thickness: 2.3mm
  - \* Use without waterproof cap or dust cap  
Maximum Panel Thickness: 3.5mm
  - \* Gasket and Nut are packed separately  
in PE bags. (Gasket/Nut 不組裝·散裝出貨)



Pin Assignments Front View

UNIT: mm		TITLE MIDDLE PANEL SCREW M CONN F PIN		
TOLERANCE		SCALE	SIZE	SHEET OF
.X ±0.25		3:2	A4	1 OF 1
.XX ±0.1		REV.	WC-REV.	
.XXX ±0.05		B	A.2	<span style="border: 1px solid black; border-radius: 50%; padding: 2px;">CC</span> : Inspection item
ANGLES ±1°				

**Amphenol LTW**  
安費諾亮泰企業股份有限公司

ITEM NO.	DRAWN BY	DATE
	Vicky	2019-03-06
DWG NO.	CHECKED BY	DATE
ACD-XXPMFS-SC7001	Rita	2019-03-06
CUSTOMER	APPROVED BY	DATE
ALTW	Max	2019-03-06