



pui
audio™ inc
a projects unlimited company

AS04008PO-2-R 40 x 28.3mm Speaker

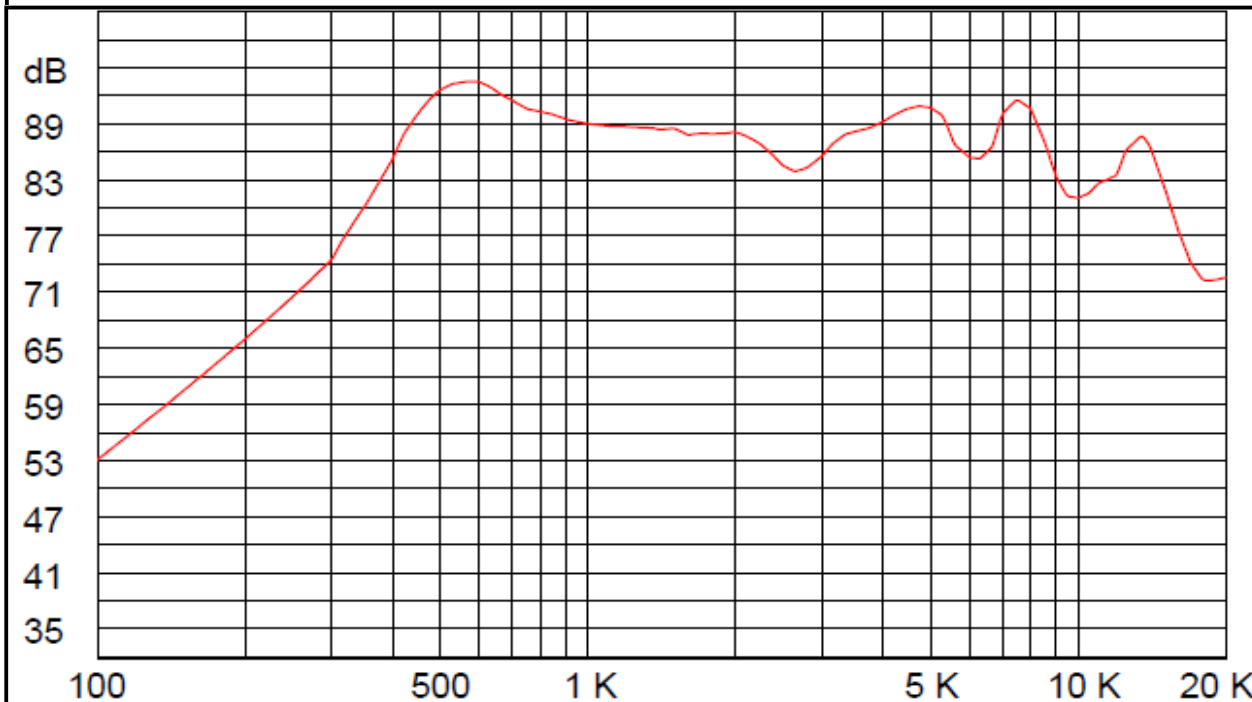


3541 Stop Eight Road • Dayton, Ohio 45414

Product Overview

- 40 x 28.3mm oval speaker with Neodymium magnet for 84 dB sensitivity
- 2W continuous, 4W maximum power handling and 8Ω impedance
- Paper cone with cloth surround for smooth, natural sound

Frequency Response (1W @ 0.5 meters)



RoHS Compliant (Pb-free)

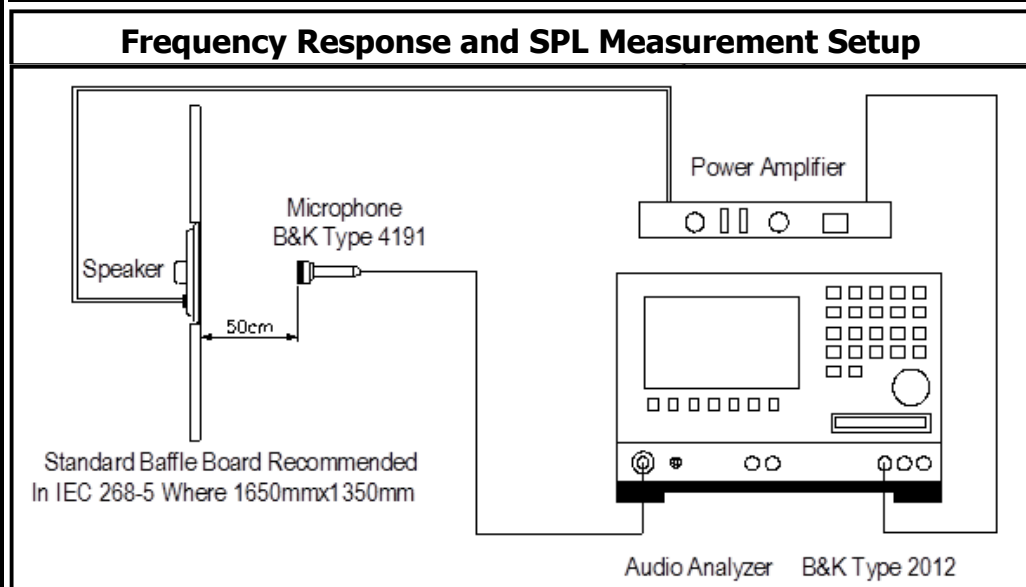
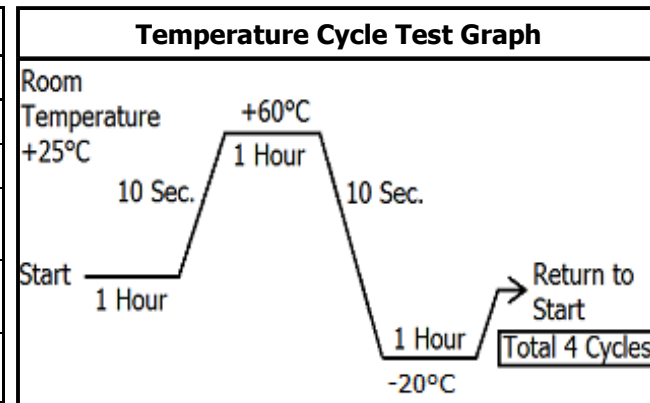




AS04008PO-2-R 40 x 28.3mm Speaker

Mechanical and Environment Testing	
Test Description	Test Condition
High Temperature	60°C ±2°C with random humidity for 96 hours
Low Temperature	-20°C ±2°C with random humidity for 96 hours
Humidity	40°C with 90% to 95% relative humidity for 96 hours
Vibration	1.5 mm movement modulated at 10 to 55 Hz for 2 hours
Drop Test	100 cm free fall onto 20mm thick board, 1 cycle in each direction on X, Y, and Z axis, 6 total
Temperature Cycle Test	-20°C to 60°C, 4 cycles (refer to Temperature Cycle Test Graph)

After tests, speaker shall rest for 1 hours. SPL shall not deviate ±4 dB from pre-test measurement.



Material Listing (All materials meet GU-001)	
Part Name	Material
Frame	SPCC
Cloth cone	Cloth
Yoke	1.5T Steel
Dust cap	Paper
Voice coil	Paper
Magnet	NdFeB
Plate	2.0t Steel
PCB	Epoxy

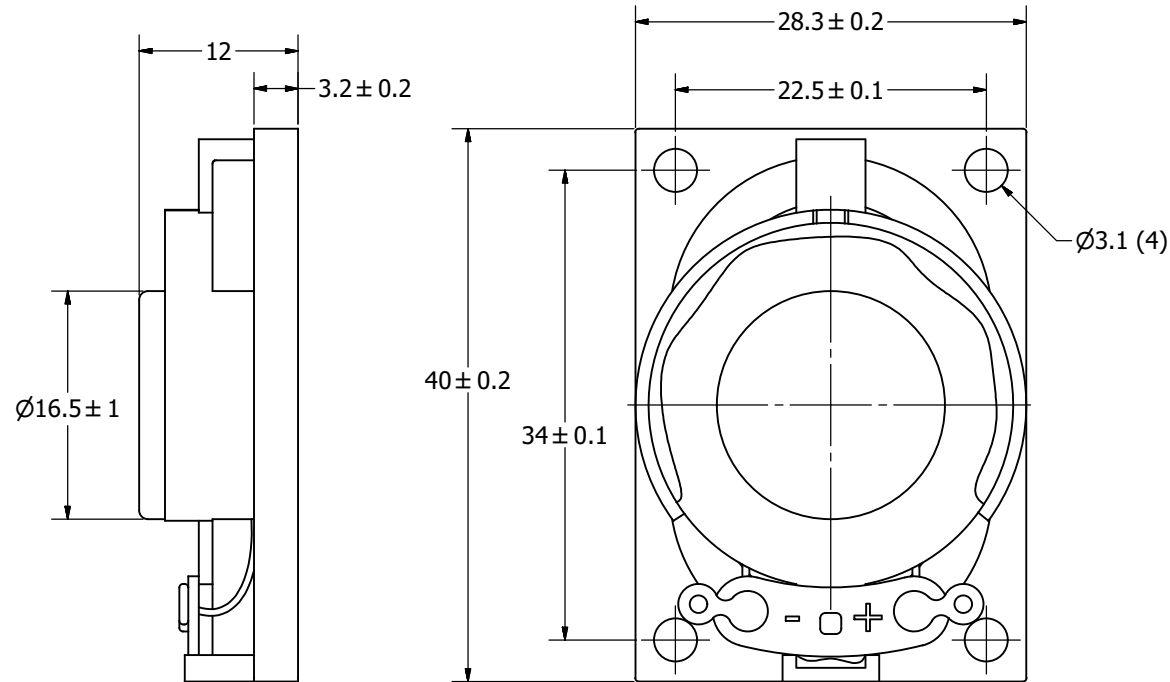
SPECIFICATIONS

PARAMETERS	VALUES	UNITS
RATED INPUT POWER	1	W
MAX INPUT POWER	2	W
IMPEDANCE	8 ± 15%	OHM
OUTPUT SPL @ 1W/0.5M (AT 1.0, 1.2, 1.5, 2.0 kHz)	84 ± 3	dBa
DISTORTION (MAX.)	5%	-
RESONANT FREQUENCY	450 ± 20%	Hz
FREQUENCY RANGE	450 ~ 20000	Hz
HOUSING MATERIAL	ABS	-
CONE MATERIAL	PAPER	-
MAGNET MATERIAL	Nd-Fe-B	-
OPERATING TEMPERATURE	-20 ~ +60	°C
WEIGHT	13	grams

THIS DOCUMENT CONTAINS DATA PROPRIETARY TO PROJECTS UNLIMITED, INC. ANY USE OR REPRODUCTION, IN ANY FORM, WITHOUT PRIOR WRITTEN PERMISSION OF PROJECTS UNLIMITED, INC. IS PROHIBITED.
©2003, Projects Unlimited Inc.

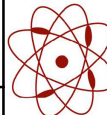
REVISION HISTORY

LTR	DESCRIPTION	DATE	APPROVED
-	RELEASED FROM ENGINEERING	6/29/2006	
A	REVISED CONE MATERIAL	3/16/2007	R.W.
B	REVISED TO INVENTOR 3-D DRAWING TEMPLATE	5/19/2008	B.R.
C	REVISED SPEAKER HEIGHT	5/5/2015	M.L.



NOTES:

1. ALL DIMENSIONS ARE IN MILLIMETERS.
2. SPECIFICATIONS SUBJECT TO CHANGE OR WITHDRAWAL WITHOUT NOTICE.
3. THIS PART IS RoHS 2011/65/EU COMPLIANT.

UNLESS OTHERWISE SPECIFIED: DIMENSIONS ARE IN MILLIMETERS, TOLERANCES ARE ± 0.5 AND ANGLES ARE $\pm 3^\circ$.	SIZE A3	Designed by	Date	Checked by	Date	Approved by	Date	Drawn Date
		J.D.	6/28/2006	E.P.	6/28/2006	B.R.	6/28/2006	5/19/2008
AS04008PO-2-R.idw		 pui audio <small>a projects unlimited company</small>				AS04008PO-2-R		
						Speaker		
						-	1 / 1	