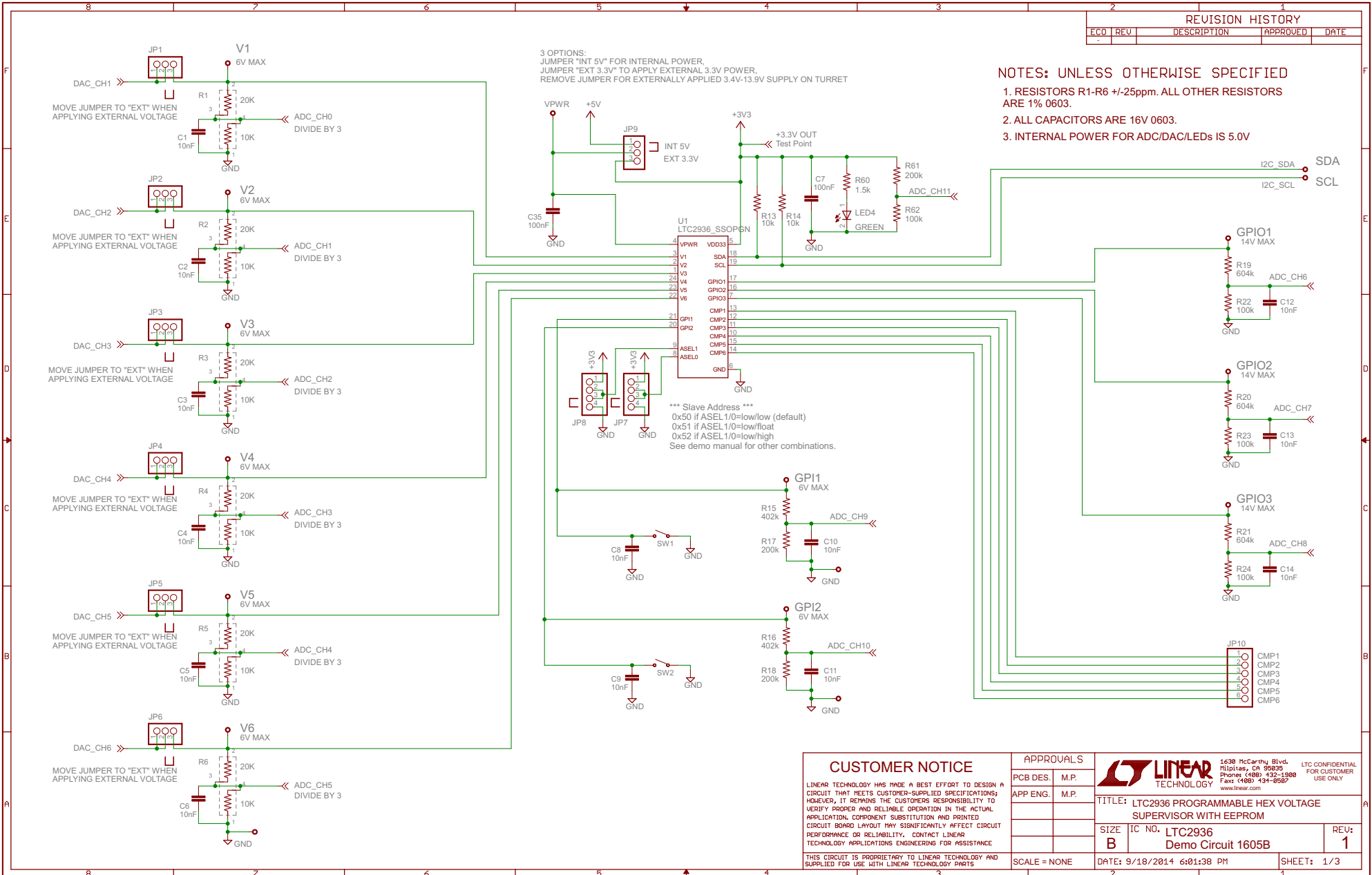


REVISION HISTORY			
ECO	REV	DESCRIPTION	DATE

NOTES: UNLESS OTHERWISE SPECIFIED

1. RESISTORS R1-R6 +/-25ppm. ALL OTHER RESISTORS ARE 1% 0603.
2. ALL CAPACITORS ARE 16V 0603.
3. INTERNAL POWER FOR ADC/DAC/LEDs IS 5.0V

3 OPTIONS:
 JUMPER "INT 5V" FOR INTERNAL POWER.
 JUMPER "EXT 3.3V" TO APPLY EXTERNAL 3.3V POWER.
 REMOVE JUMPER FOR EXTERNALLY APPLIED 3.4V-13.9V SUPPLY ON TURRET



*** Slave Address ***
 0x50 if ASEL1/0=low/low (default)
 0x51 if ASEL1/0=low/float
 0x52 if ASEL1/0=low/high
 See demo manual for other combinations.

CUSTOMER NOTICE

LINEAR TECHNOLOGY HAS MADE A BEST EFFORT TO DESIGN A CIRCUIT THAT MEETS CUSTOMER-SUPPLIED SPECIFICATIONS; HOWEVER, IT REMAINS THE CUSTOMER'S RESPONSIBILITY TO VERIFY PROPER AND RELIABLE OPERATION IN THE ACTUAL APPLICATION. COMPONENT SUBSTITUTION AND PRINTED CIRCUIT BOARD LAYOUT MAY SIGNIFICANTLY AFFECT CIRCUIT PERFORMANCE OR RELIABILITY. CONTACT LINEAR TECHNOLOGY APPLICATIONS ENGINEERING FOR ASSISTANCE.

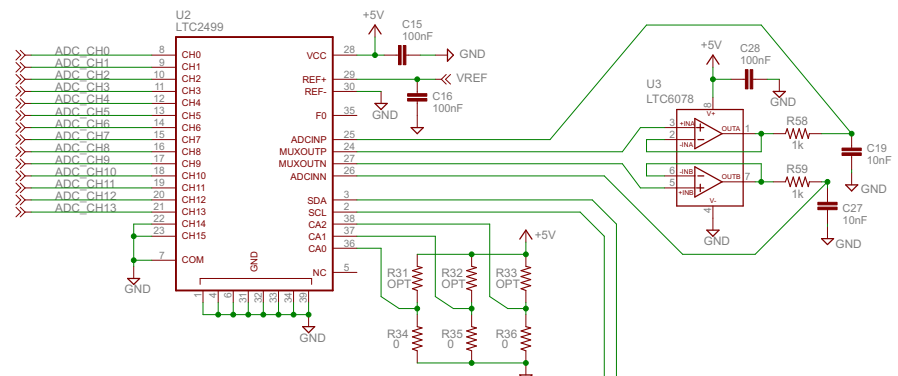
THIS CIRCUIT IS PROPRIETARY TO LINEAR TECHNOLOGY AND SUPPLIED FOR USE WITH LINEAR TECHNOLOGY PARTS

APPROVALS			1630 McCarty Blvd. Milpitas, CA 95035 Phone: (408) 432-1980 Fax: (408) 434-9987 www.linear.com	LTC CONFIDENTIAL FOR CUSTOMER USE ONLY
PCB DES.	M.P.			
APP ENG.	M.P.	TITLE: LTC2936 PROGRAMMABLE HEX VOLTAGE SUPERVISOR WITH EEPROM		
		SIZE B	IC NO. LTC2936	REV: 1
		SCALE = NONE	DATE: 9/19/2014 6:01:38 PM	SHEET: 1/3

REVISION HISTORY			
ECO	REV	DESCRIPTION	DATE
		APPROVED MIKE P.	

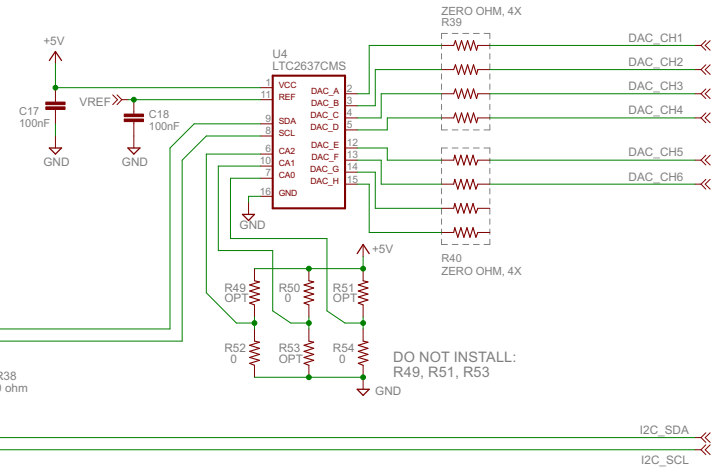
*** Slave Address 0x14 (default) ***
CA2=low, CA1=low, CA0=low

ADC Section

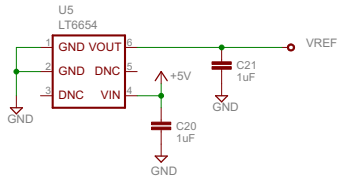


DAC Section

*** Slave Address 0x22 (default) ***
CA2=low, CA1=high, CA0=low



4.096V Ref

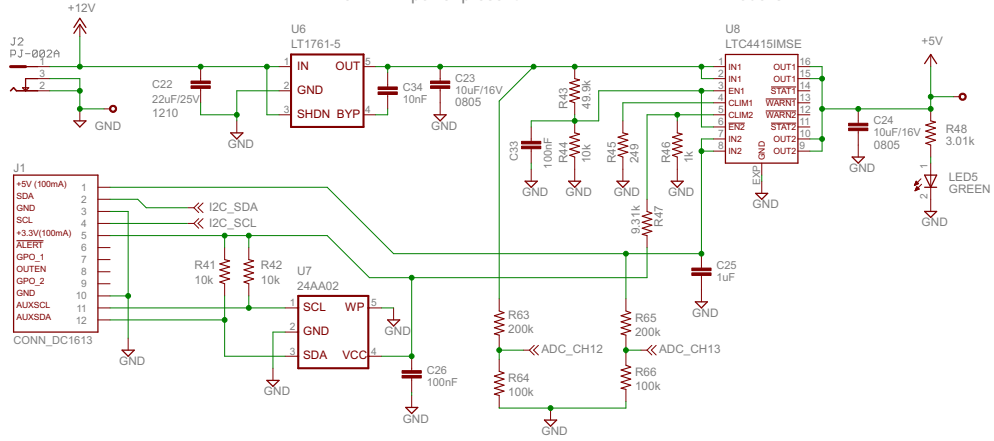


DO NOT INSTALL:
R31, R32, R33

DO NOT INSTALL:
R49, R51, R53

5V LDO to power board
when +12V power present

Diode-OR



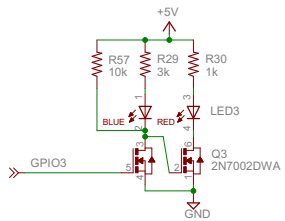
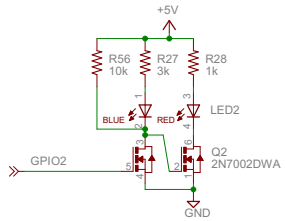
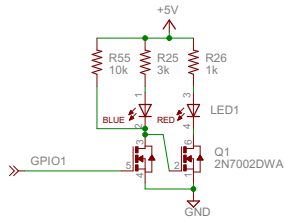
NOTES: UNLESS OTHERWISE SPECIFIED:

1. ALL RESISTORS ARE 1% 0603.
2. ALL CAPACITORS ARE 16V 0603.
3. INTERNAL POWER FOR ADC/DAC/LEDs IS 5.0V

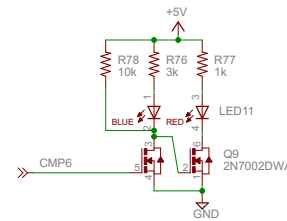
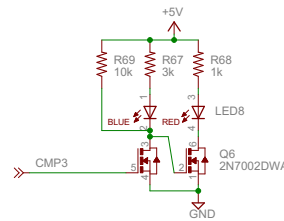
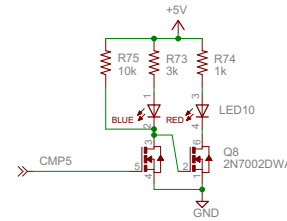
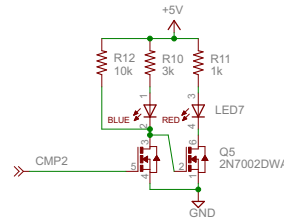
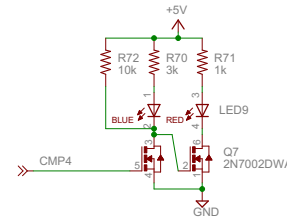
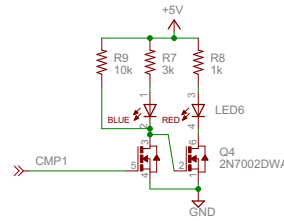
CUSTOMER NOTICE		APPROVALS			1538 McCarthy Blvd. Milpitas, CA 95035 Phone (408) 432-1980 Fax (408) 434-9957 www.linear.com	LTC CONFIDENTIAL FOR CUSTOMER USE ONLY
LINEAR TECHNOLOGY HAS MADE A BEST EFFORT TO DESIGN A CIRCUIT THAT MEETS CUSTOMER-SUPPLIED SPECIFICATIONS; HOWEVER, IT REMAINS THE CUSTOMER'S RESPONSIBILITY TO VERIFY PROPER AND RELIABLE OPERATION IN THE ACTUAL APPLICATION. COMPONENT SUBSTITUTION AND PRINTED CIRCUIT BOARD LAYOUT MAY SIGNIFICANTLY AFFECT CIRCUIT PERFORMANCE OR RELIABILITY. CONTACT LINEAR TECHNOLOGY APPLICATIONS ENGINEERING FOR ASSISTANCE.		PCB DES.	M.P.			
THIS CIRCUIT IS PROPRIETARY TO LINEAR TECHNOLOGY AND SUPPLIED FOR USE WITH LINEAR TECHNOLOGY PARTS		APP ENG.	M.P.	SIZE B	IC NO. LTC2936	REV: 1
SCALE = NONE		DATE: 9/19/2014 6:01:38 PM		SHEET: 2/3		

REVISION HISTORY			
ECO	REV	DESCRIPTION	DATE

LEDs for GPIO Pins



LEDs for CMP Pins



CUSTOMER NOTICE

LINEAR TECHNOLOGY HAS MADE A BEST EFFORT TO DESIGN A CIRCUIT THAT MEETS CUSTOMER-SUPPLIED SPECIFICATIONS; HOWEVER, IT REMAINS THE CUSTOMER'S RESPONSIBILITY TO VERIFY PROPER AND RELIABLE OPERATION IN THE ACTUAL APPLICATION. COMPONENT SUBSTITUTION AND PRINTED CIRCUIT BOARD LAYOUT MAY SIGNIFICANTLY AFFECT CIRCUIT PERFORMANCE OR RELIABILITY. CONTACT LINEAR TECHNOLOGY APPLICATIONS ENGINEERING FOR ASSISTANCE.

THIS CIRCUIT IS PROPRIETARY TO LINEAR TECHNOLOGY AND SUPPLIED FOR USE WITH LINEAR TECHNOLOGY PARTS

APPROVALS
PCB DES. M.P.
APP ENG. M.P.



1538 McCarthy Blvd.
Milpitas, CA 95035
Phone (408) 432-1980
Fax (408) 434-9957
www.linear.com

LTC CONFIDENTIAL
FOR CUSTOMER
USE ONLY

TITLE: LTC2936 PROGRAMMABLE HEX VOLTAGE SUPERVISOR WITH EEPROM

SIZE B IC NO. LTC2936 REV:
DEMO CIRCUIT 1605B

SCALE = NONE DATE: 9/18/2014 6:01:38 PM SHEET: 3/3