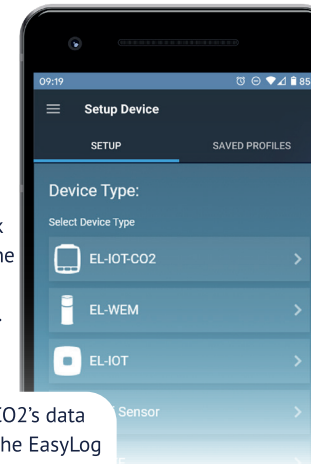


## 6 Connect to and configure in the Cloud

Sign in to the EasyLog Cloud App on your mobile device. Select "Setup Device" from the burger menu and follow the on-screen instructions to configure your EL-IOT-CO2.



Once your EL-IOT-CO2 is connected to your WiFi network and EasyLog account, replace the battery cover and wall mount bracket. Setup is now complete. Install your device in the location you wish to monitor.

You can now view the EL-IOT-CO2's data and change settings either in the EasyLog Cloud App or by visiting your account at: [www.easylogcloud.com](http://www.easylogcloud.com)



## 7 Display Status Indicator

- On startup, the LCD runs through a test sequence in which all elements are activated, the alarm LEDs light up and the sounder beeps.
- The CO<sub>2</sub> sensor may take a few minutes to self-calibrate after startup, before readings are given. During this time keep in fresh air.

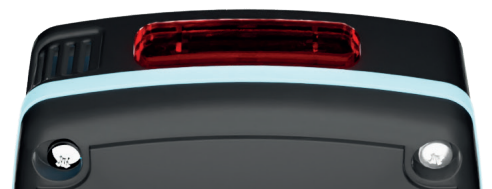
Display	Logger Status	Explanation
START	Startup	The logger is starting up, the number displayed is the firmware version
Cloud	Not configured	The logger has not yet been connected to the EasyLog Cloud, readings will be displayed but not uploaded
SETUP	Setup Mode	The device is in setup mode, ready to connect to the EasyLog Cloud
Conn	Connected to App	The device has connected to the EasyLog App as part of the setup process
Not	Not logging	The device has been turned on but can't connect to the Cloud, readings will be displayed but not logged. As soon as the device connects to the Cloud it will start logging

Display	Logger Status	Explanation
FAIL	Setup Fail	The device has been unable to complete the setup process, check the availability of your WiFi network and try again
ud	Firmware Update	The device is loading new firmware (you can check for updates on the EasyLog Cloud)
FAIL	Update Failed	The device has failed to load new firmware and will automatically revert to the previous version
CO2	CO <sub>2</sub> Calibration Due	You should activate the CO <sub>2</sub> Fresh Air Calibration process
FRESH	CO <sub>2</sub> Fresh Air Calibration	The device is recalibrating the CO <sub>2</sub> sensor, leave it exposed to fresh air during this process
FAIL	CO <sub>2</sub> Calibration Failed	The device was unable to calibrate the CO <sub>2</sub> sensor, you should expose it to fresh air and try again
!	Device warning	Press MIN/MAX to cycle through readings screens to see warning screens

## 8 Button Functions



Button	Function
TOP BUTTON	Mute alarm sounder (it will re-activate when a new alarm is activated)



Button	Press	Function
MIN / MAX CLEAR M/M	Short Press	Cycle between current, minimum and maximum readings, and any warning screens
	Long Press	Reset the maximum and minimum values for all parameters
AUDIT CONFIG	Short Press	Create an audit mark in the data record and initiate data synchronisation with the Cloud
	Long Press	Enter Setup mode
RESET ALARM CALIBRATION	Short Press	Reset all active alarms (they will immediately re-trigger if an alarm threshold is breached)
	Long Press	Enter CO <sub>2</sub> Fresh Air Calibration mode

## 9 Important Safety Information

**WARNING:** Failure to follow these safety instructions could result in fire, electrical shock, other injury or damage.

### Repairing or modifying

Never attempt to repair or modify this product. Dismantling, may cause damage that is not covered under the warranty. Servicing should only be provided by an approved supplier. If the product has been punctured, or seriously damaged do not use it and return it to an approved supplier.

### Power supply

Only use 1.5V AA alkaline batteries or a genuine EL-IOT-CO2 power supply to power your EL-IOT data logger. Power supply sold separately.

### Disposal and recycling

You must dispose of this product and batteries according to relevant laws and regulations. This product contains electronic components and therefore must be disposed of separately from household waste.

**Caution:** Do not leave product in direct sunlight. Risk of explosion if battery is replaced by an incorrect type. Dispose of used batteries according to the instructions.

\*Mains power supply sold separately

## EL-IOT-CO2

Carbon Dioxide WiFi Cloud-Connected Data Logger

Your data, anytime, anywhere



Quick Start Guide

1



### Set up a Cloud Account

To begin setting up your EL-IOT-CO2, you first need an EasyLog Cloud account.

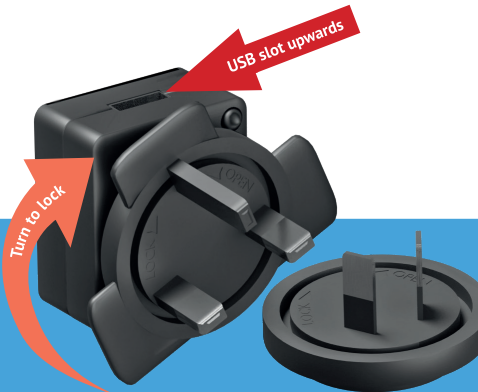
- Visit [easylogcloud.com](http://easylogcloud.com) and click Sign Up Now
- Download the EasyLog Cloud App onto your phone or tablet



2

### Preparing the power supply

Select the correct plug type for your local region and fit it to the power supply. Note you have to fit it at a slight angle, then push and rotate to lock it into place.



3

### Plugging in the unit

Plug in your device and it will start automatically.



4

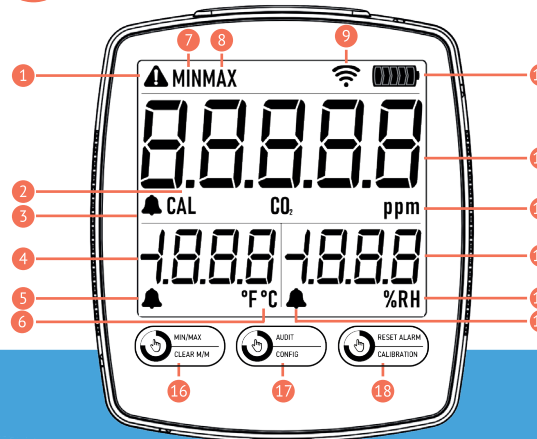
### Install the batteries

Your EL-IOT-CO2 is designed to operate from the power supply provided, but can work for a short time from battery power, if mains power is lost. If you wish to fit batteries, insert 4 x AA batteries into the battery compartment, taking care to place the batteries in the correct orientation. The sounder will beep when the batteries are first inserted.

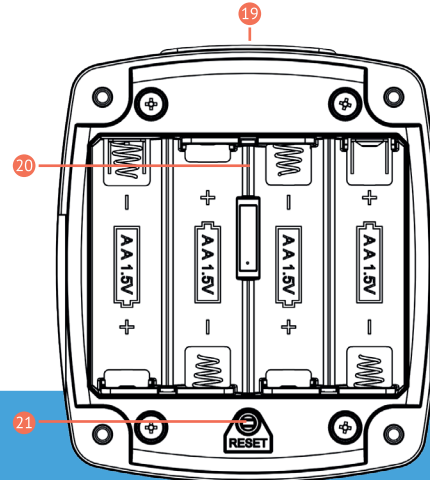


5

### Getting to know your EL-IOT-CO2 data logger



- |                                |                            |                            |                                     |
|--------------------------------|----------------------------|----------------------------|-------------------------------------|
| 1 Warning notification         | 5 Temperature alarm status | 9 WiFi signal strength     | 13 Humidity reading                 |
| 2 Calibration reminder         | 6 Temperature units        | 10 Battery level           | 14 Humidity units                   |
| 3 CO <sub>2</sub> alarm status | 7 Minimum reading          | 11 CO <sub>2</sub> reading | 15 Humidity alarm status            |
| 4 Temperature reading          | 8 Maximum reading          | 12 CO <sub>2</sub> units   | 16 MIN / MAX - CLEAR M/M button     |
|                                |                            |                            | 17 AUDIT - CONFIG button            |
|                                |                            |                            | 18 RESET ALARM - CALIBRATION button |
|                                |                            |                            | 19 Alarm light and mute button      |
|                                |                            |                            | 20 Battery compartment              |
|                                |                            |                            | 21 Reset button                     |



Lascar Electronics UK  
Telephone: +44 (0) 1794 884 567  
Email: [sales@lascar.co.uk](mailto:sales@lascar.co.uk)

Lascar Electronics US  
Telephone: +1 (814) 835-0621  
Email: [us-sales@lascarelectronics.com](mailto:us-sales@lascarelectronics.com)

Lascar Electronics HK  
Telephone: +852 2389 6502  
Email: [saleshk@lascar.com.hk](mailto:saleshk@lascar.com.hk)

[www.lascarelectronics.com/data-loggers](http://www.lascarelectronics.com/data-loggers)

Manufactured and supplied by:  
Lascar Electronics Ltd  
Module House  
Whiteparish, Wiltshire  
SP5 2SJ  
United Kingdom

Issue 3 10/2022

