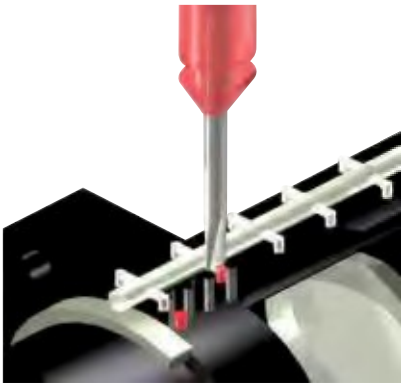


Satz Sechskant-Muttern M2.3 Set of Hexnuts M2.3

Produktbezeichnung	Part No.
Item Title	Part No.
Set of Hexnuts M2.3, 20 pcs.	G061236000



Polyamidstopfen

- Zur spielfreien drehbaren Lagerung von Optiken in Spiegel- und Prismenträgern
- Die Stopfen werden unter die M2.3 Gewindestifte eingedreht
- Ø 1.5x1.5 mm (100 Stück, 10 Bäume mit 10 St.)

Polyamide Plugs

- The plugs prevent optics from tipping over during rotation or subsequent attachment (no backlash)
- The polyamide plugs are inserted into the thread before the setscrews M2.3 are attached
- 1.5 x 1.5 mm (qty. 100, 10x10)

Polyamidstopfen Polyamide Plugs

Produktbezeichnung	Part No.
Item Title	Part No.
Polyamide Plugs	G061015000

High quality

Profitieren Sie von unserer mehr als einhundertdreißigjährigen Erfahrung in der Fertigung feinoptischer und feinmechanischer Komponenten und Systeme.

Profit from our 130 years of experience in the production of precision optical and mechanical components.

Früher
In former times



Montage und Mechanikfertigung in
Göttingen um 1910

*Mounting and production of mechanical
components in Goettingen about 1910*

Heute
Today



Einstellung der Parameter an einer
unserer Coatinganlagen

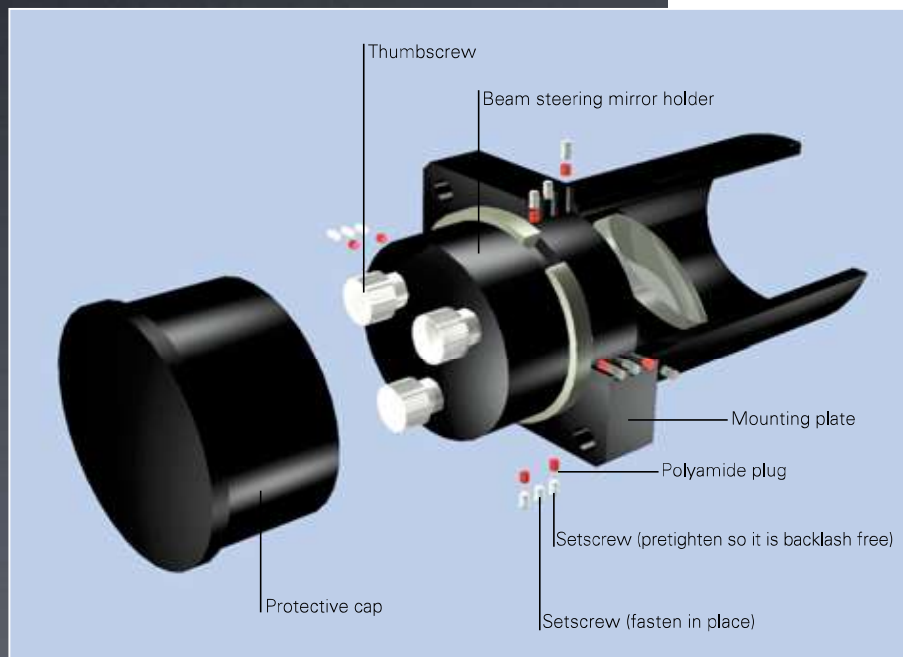
*Setting of parameters at one of our
coating facility*



Optikfertigung mit CNC Poliermaschine

*Optics production with CNC polishing
machine*

Using Polyamide Plugs in Beam Steering Mirror Holders/Prism Tables



The beam steering prism holders and prism tables or supports 25 and 30 are microbench components that allow mirrors and prisms to be fine-adjusted to an exceptional degree. They are offered in the widest variety of versions: rotatable in a mounting plate or as built-in elements. For beam steering prism holders and prism tables or supports, the polyamide plugs are inserted before the eight setscrews are attached to the mounting plate. The setscrews are slightly pretightened to prevent the holder, table or support from tipping over during rotation or subsequent attachment. If you fasten a beam steering prism holder, a prism table or support to a mounting plate or

cube and want to be able to rotate the holder, table or support later without any backlash, you need to use the polyamide plugs as briefly instructed on page 17.



Prism Table 25 / Beam Steering Mirror Assembly:

- 3 thumbscrews for adjusting tilt angles and setting the axial position (angular adjustment ranges of $\pm 4^\circ$, rotatable by 360°)
- mirror rotatable in mounting plate
- protective cap for preserving thumbscrew settings



Beam Steering Mirror Holder 30 / Prism Support 30

- 3 thumbscrews for adjusting tilt angles and setting the axial position
- without mounting plate
- mates to cube 30, mounting plate 30 or clamping holder 30
- protective cap for preserving thumbscrew settings

Inserting Polyamide Plugs:

- Tool required: screwdriver
- Polyamide plug tree

Guide the polyamide plug into the thread and break off the plug from the tree by inserting the blade of the screwdriver right at the premarked breaking point.

Tighten all eight setscrews uniformly so that the beam steering mirror holder, prism table or support offers slight resistance when you turn it, but is backlash free. Place a setscrew in one of the middle threaded holes without a polyamide plug to fasten the holder, table or support. By doing this, now the holder, table or support is supported so that it can be rotated. To adjust its position, slightly loosen the setscrew, turn the holder, table or support to the desired position and retighten the setscrew.

