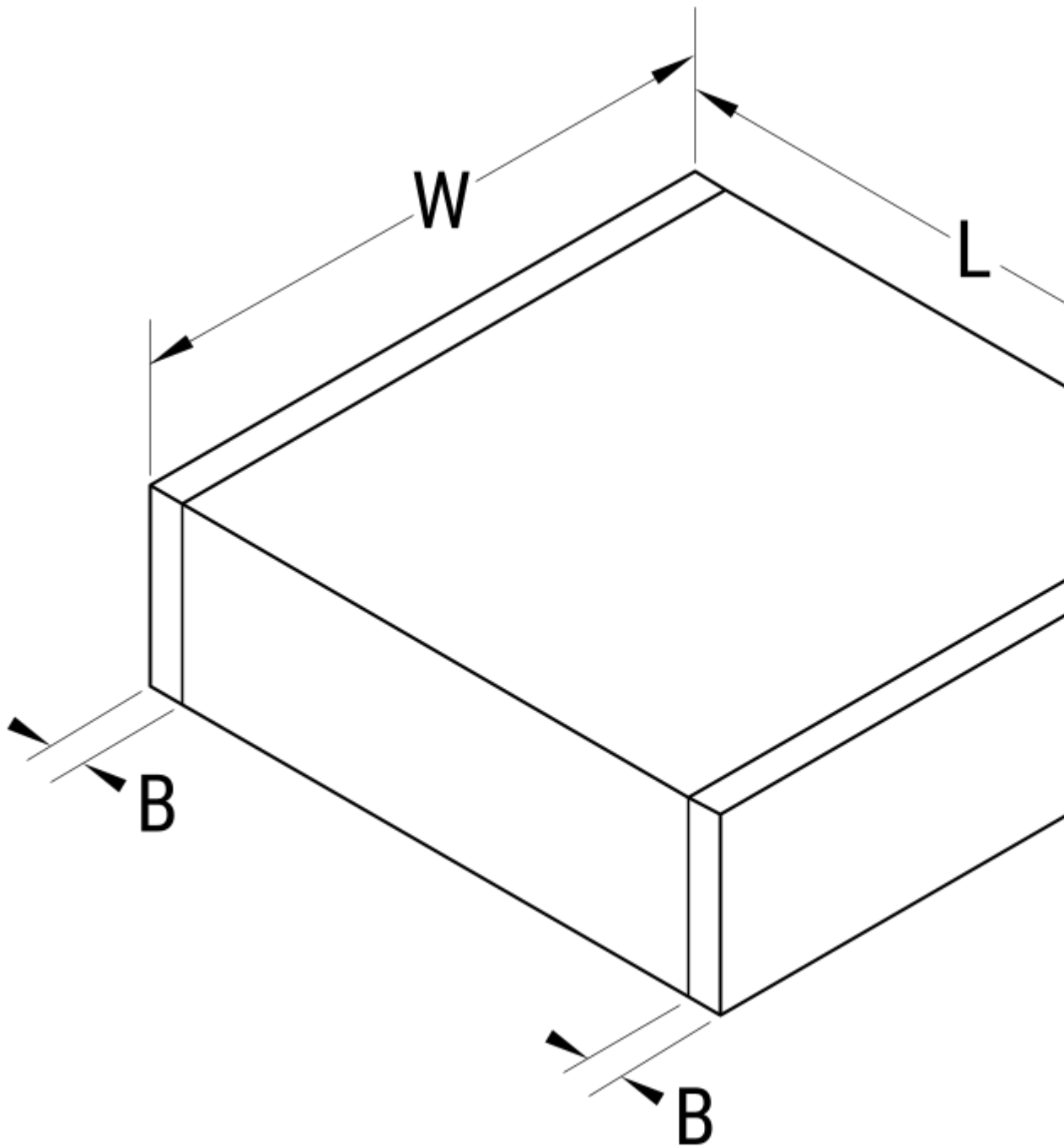


LDECA1470JA0N00

Aliases (DECA1470JA0N00)

LDE, Film, Metallized PEN Stacked, Automotive Grade, 4700 pF, 5%, 40 VAC, 50 VDC, 125°C, 1206, 1.1mm



Click [here](#) for the 3D model.

Dimensions

Chip Size 1206

L 3.3mm +0.3/-0.1mm

Dimensions

| | |
|---|-------------------|
| W | 1.7mm +/-0.2mm |
| T | 1.1mm MAX |
| B | 0.4mm +0.5/-0.3mm |

Packaging Specifications

| | |
|--------------------|------|
| Packaging | T&R |
| Packaging Quantity | 3000 |

General Information

| | |
|------------------|------------------------|
| Series | LDE |
| Dielectric | Metallized PEN Stacked |
| Style | SMD Chip |
| Features | Automotive Grade |
| RoHS | Yes |
| Qualifications | AEC-Q200 |
| AEC-Q200 | Yes |
| Component Weight | 0.06 g |
| Shelf Life | 104 Weeks |
| MSL | 3 |

Specifications

| | |
|-----------------------|------------|
| Capacitance | 4700 pF |
| Capacitance Tolerance | 5% |
| Voltage AC | 40 VAC |
| Voltage DC | 50 VDC |
| Temperature Range | -55/+125°C |
| Rated Temperature | 125°C |
| Dissipation Factor | 0.8% 1kHz |
| Insulation Resistance | 1 GOhms |
| Max dV/dt | 100 V/us |

Statements of suitability for certain applications are based on our knowledge of typical operating conditions for such applications, but are not intended to constitute - and we specifically disclaim - any warranty concerning suitability for a specific customer application or use. This Information is intended for use only by customers who have the requisite experience and capability to determine the correct products for their application. Any technical advice inferred from this Information or otherwise provided by us with reference to the use of our products is given gratis, and we assume no obligation or liability for the advice given or results obtained.

Generated 5/18/2023 - 1823cf23-9e74-48f7-a815-17883bca224e

© 2006 - 2023 KEMET

Generated 5/18/2023 - 1823cf23-9e74-48f7-a815-17883bca224e

© 2006 - 2023 KEMET