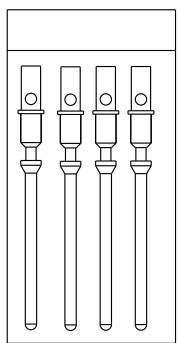
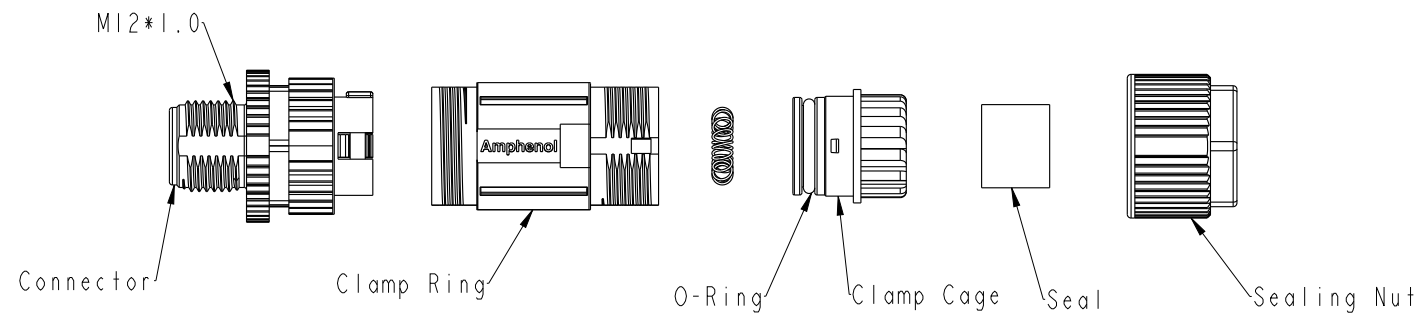
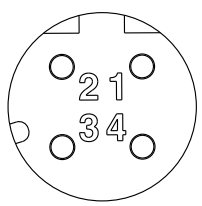


THIS DOCUMENT IS SUBJECT TO CHANGE WITHOUT NOTICE. IT IS CONFIDENTIAL AND A PROPERTY OF Amphenol LTW. DISCLOSURE TO THIRD PARTY HAS TO BE AUTHORIZED BY Amphenol LTW.

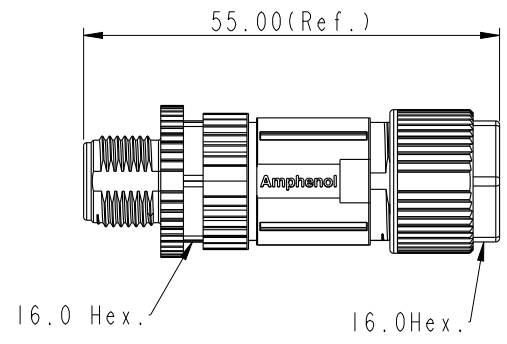
REV.	DESCRIPTION
A	Initial Release



PE Bag



Pin Assignments
Front View



ALTW
CONFIDENTIAL
2019-06-18
R&D DEPT.

UNIT:mm			TITLE		ITEM NO		DRAWN BY		DATE	
			M12 Shielded Assy 4PIN M Conn. M Pin		MSDS-04BMMC-SL7001		Xiaofeng		2019/06/18	
TOLERANCE	.X	±0.25	SCALE	Free	SIZE	A4	SHEET	1	OF	2
	.XX	±0.1	REV.	A	WC-REV.	.0	((C)) Inspection item		CUSTOMER	
	.XXX	±0.05			ALTW		APPROVED BY		DATE	
ANGLES		±1°			ALTW		Jerry		2019/06/18	

Amphenol LTW
安費諾亮泰企業股份有限公司

THIS DOCUMENT IS SUBJECT TO CHANGE WITHOUT NOTICE. IT IS CONFIDENTIAL AND A PROPERTY OF Amphenol LTW. DISCLOSURE TO THIRD PARTY HAS TO BE AUTHORIZED BY Amphenol LTW.

REV.	ECN NO.	DATE	SIGN	DESCRIPTION

M SDS - XX B M M C - S L 7 001

SDS: D-Code Shielded
 04: 4Pin
 B: Without S/R(無網尾)
 M: Male Connector(公座)
 M: Male Pin(公Pin)
 001: Without Cable
 7: IP67(防水等級67)
 L: Straight(180°)
 S: Screw(螺紋式)
 C: Screw in Type(組裝式)

- Note:
- * IP: IP67.
 - * Housing: Nylon, Black.
 - * Clamp Cage: Metal
 - * Male Pin: Copper Alloy, Gold Plated.
 - * O-Ring: Silicone, Grey.
 - * Clamp Ring: Zinc Alloy, Nickel Plated.
 - * Sealing Nut: Zinc Alloy, Nickel Plated.
 - * Seal For Cable OD: $\varnothing 4.0\text{mm} \sim \varnothing 7.5\text{mm}$
 - * Applicable Wire gauge (Stranded wire cross section) 20AWG-24AWG
 - * Mating Recommended tightening torque: 3~4 kgf.cm / 0.29~0.39 N.m
 - * Sealing-Nut Recommended tightening torque: 4~6 kgf.cm / 0.39~0.59 N.m
 - * Detailed applicable wire specifications may vary depending on the actual wire construction.

UNIT: mm	
TOLERANCE	
.X	±0.25
.XX	±0.1
.XXX	±0.05
ANGLES	±1°

TITLE M12 Shielded Assy 4PIN M Conn. M Pin			
SCALE 1:1	SIZE A4	SHEET 2 OF 2	
REV. A	WC-REV. .0	QC: Inspection item	

Amphenol LTW
安費諾亮泰企業股份有限公司

ITEM NO. MSDS-04BMCC-SL7001	DRAWN BY Xiaofeng	DATE 2019/06/18
DWG NO. MSDS-04BMCC-SL7001	CHECKED BY Feng-Li	DATE 2019/06/18
CUSTOMER ALTW	APPROVED BY Jerry	DATE 2019/06/18