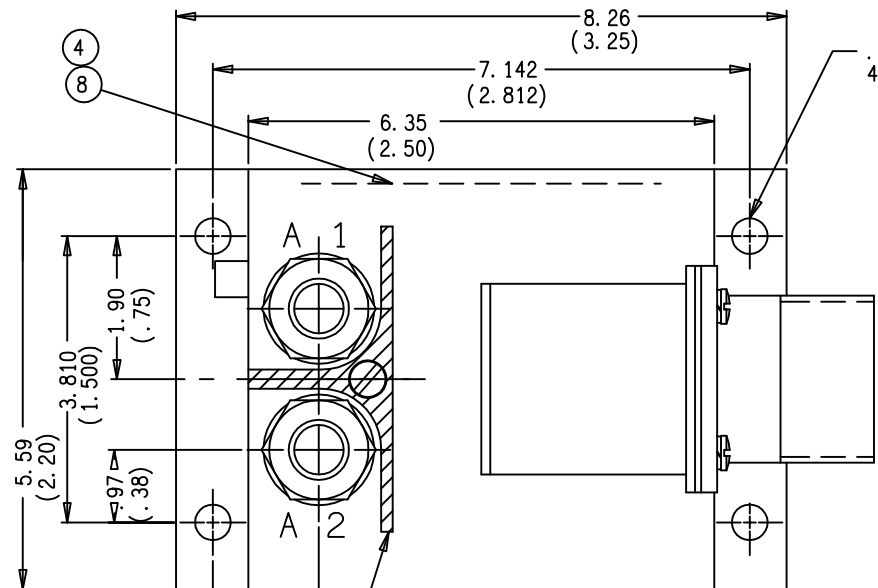


REVISIONS		RELEASED	APPROVED
SYM	DESCRIPTION	DATE	
B	34946 FIND NO 4 WAS 39529-017, FIND NO 5 WAS 40891-020	98/02/20	RS
C	36690 REMOVED ITEM 9, ADDED D38999/20WD19PN REF	98/08/12	RS
D	10-013410 WEIGHT WAS 460 GRAMS (1.01 LB)	10/05/18	CB



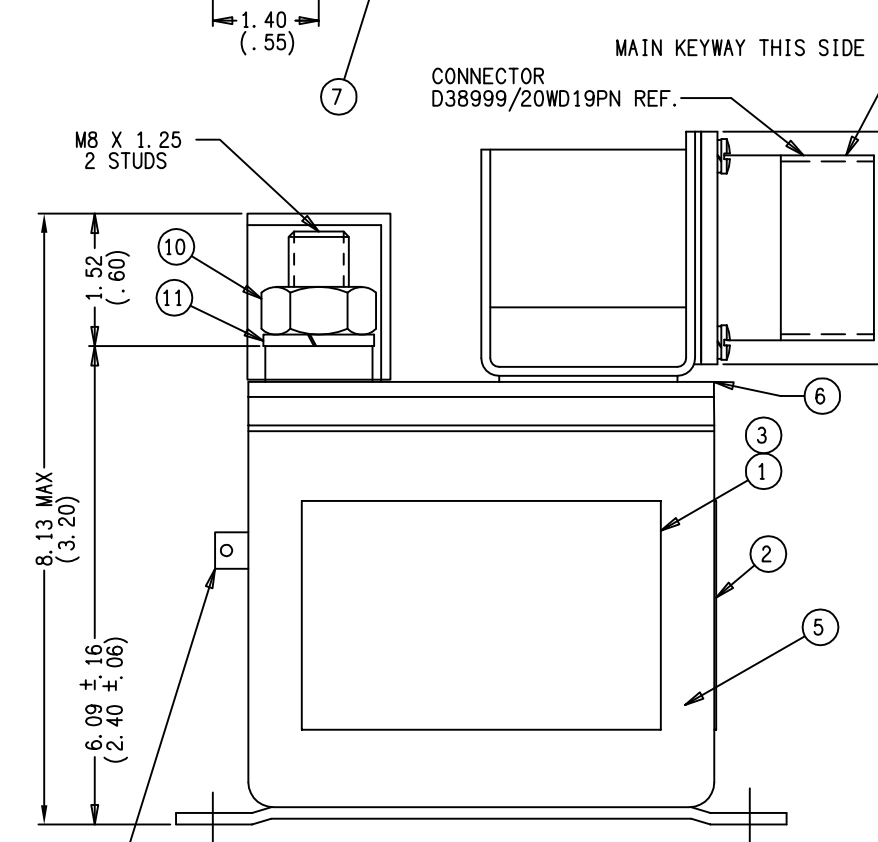
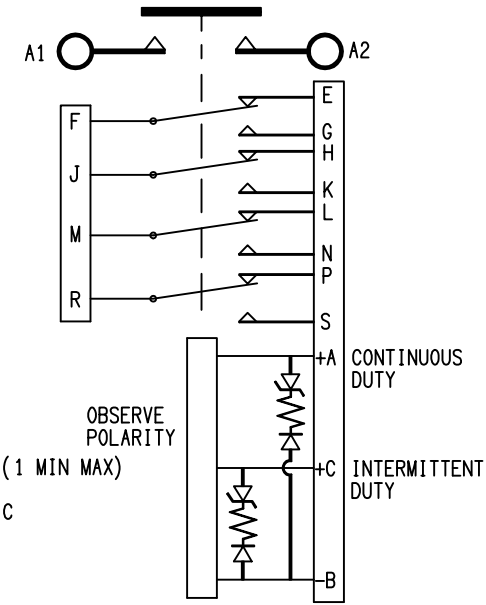
CONSTRUCTION MODE: GASKET SEALED (VENTED) SIDESTABLE

MAIN CONTACTS  
 CONFIGURATION: SPST NO (DOUBLE BREAK)  
 VOLTAGE (NOMINAL): 28 VDC  
 CURRENT: RESISTIVE 200 AMP, INDUCTIVE 200 AMP, RUPTURE 2000 AMP

OPERATE TIME:  
 CLOSING: 30 MS MAX AT 28 VDC AT 25° C  
 OPENING: 30 MS MAX AT 25° C  
 BOUNCE: 3 MS MAX

AUXILIARY CONTACTS  
 CONFIGURATION: 4 PDT  
 VOLTAGE: 28 VDC  
 CURRENT: RESISTIVE 3 AMP, INDUCTIVE 3 AMP, LAMP 2 AMP

COIL DATA (DUAL RATING)  
 DUTY CYCLE: CONTINUOUS +A, -B; INTERMITTENT (1 MIN MAX) +C, -B  
 CONNECTOR PINS: 18 VDC AT 70° C; 10 VDC AT 70° C  
 MIN OPERATE VOLTAGE: 28 VDC  
 NOM OPERATE VOLTAGE: 28 VDC  
 DROPOUT VOLTAGE: 2-7 VOLTS; 1-5 VOLTS  
 COIL CURRENT AT 25° C: .50 AMP MAX; 1.5 AMP MAX



ENVIRONMENTAL DATA  
 OPERATE TEMP: -40° C TO 70° C  
 ACCELERATION: 5 G'S  
 ALTITUDE: 15,000 FEET MAX

LIFE  
 ELECTRICAL: 50,000 CYCLES MIN  
 MECHANICAL: 100,000 CYCLES MIN

WEIGHT MAX: 470 GRAMS (1.03 LB)

NOTES:  
 1. DIMENSIONS IN CM  
 DIMENSIONS IN PARENTHESIS IN INCHES  
 2. COIL TRANSIENT VOLTAGE LIMITED TO 42V PEAK

11	2	60202-084	WASHER, M8, SPLIT, ISO METRIC	BRONZE
10	2	60200-084	NUT, M8 X 1.25-6H, HEX, ISO METRIC	BRASS
9				
8	1	42643-002	PLATE - WIRING DIAGRAM	
7	1	41214-010	TERMINAL SHIELD ASSEMBLY	
6	1	41101-001	PLATE BASE COVER	
5	1	40891-030	CONTACTOR ASSEMBLY - PRIMARY	
4	1	39529-033	OVERLAY - WIRING DIAGRAM	
3	1	39529-001	OVERLAY - NAME PLATE	
2	1	25695-001	PLATE - WARNING	
1	1	16043-001	PLATE - NAME	

FIND NO	QTY REQD	PART OR IDENTIFYING NO	NOMENCLATURE OR DESCRIPTION	MATERIAL OR NOTE
---------	----------	------------------------	-----------------------------	------------------

DIMENSIONS IN PARENTHESIS ARE IN INCHES TOLERANCES ON		REF: AGUSTA EA 2400V 513-005		 Hartman Division, 175 N. DIAMOND STREET, MANSFIELD, OHIO 44902	
2 PL DEC.	3 PL DEC.	ANGLES	DR BY	FDW	98/09/04
± .06	± .10	± 1°	CHK BY	RS	98/09/04
UNLESS OTHERWISE SPECIFIED DIMENSIONS ARE IN CM TOLERANCES ON			ENGR	DKN	98/09/08
			MFG	CC	98/09/09
2 PL DEC.	3 PL DEC.	ANGLES	SIZE	CODE IDENT	
± .15	± .25	± 1°	C	74063	
SCALE NONE SHEET			CONTACTOR - SPST 200 AMP, 28 VDC DWG NO. NN-448B-2 REF TE P/N 1616073-4		