

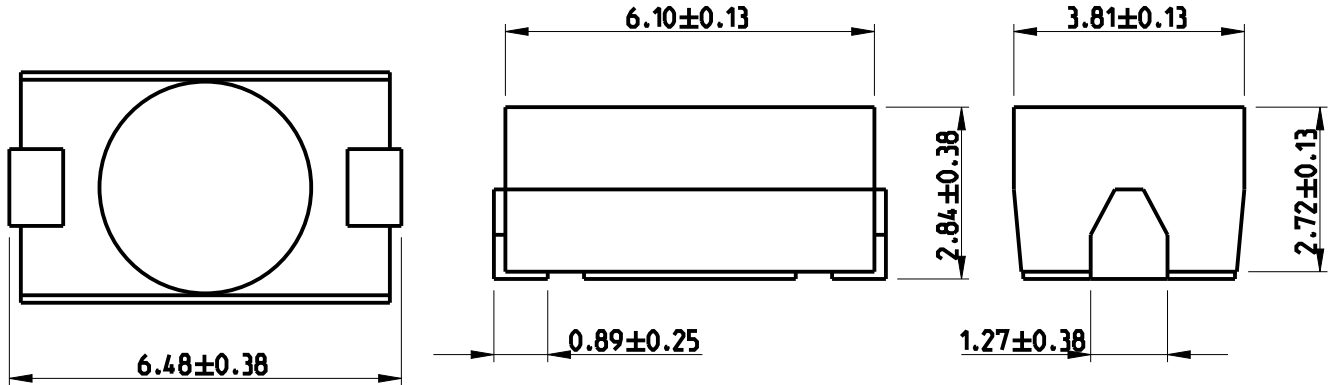
REVISIONS

P	LTR	DESCRIPTION	DATE	DWN	APVD
	BA	NEW RELEASE	10 JULY 2010	PT	SI.P
	BA1	ECR-13-018622	28 NOV 2013	KR	TN
	BB	ECR-14-002163	17 FEB 2014	KR	TN

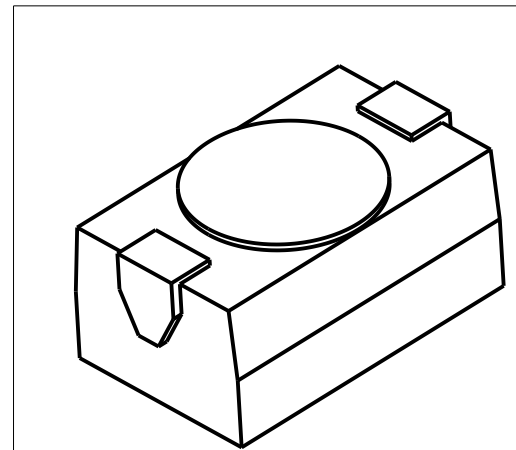
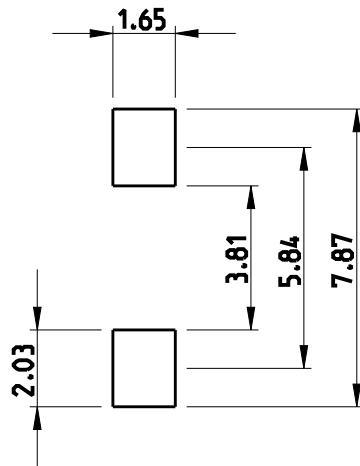
FOR FURTHER INFORMATION SEE DATA SHEET FOR SERIES S - SMD MOULDED POWER RESISTOR

NOTE:

1. Terminal Finish - Hot Dipped Sn. Min 5µM



RECOMMENDED LAND PATTERN



2008

RELEASED FOR PUBLICATION

ALL RIGHTS RESERVED.

BY -

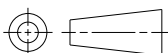
© COPYRIGHT 2008

DIMENSIONS:

mm

TOLERANCES UNLESS OTHERWISE SPECIFIED:

0 PLC	± 0.2
1 PLC	± 0.1
2 PLC	\pm
3 PLC	\pm
4 PLC	\pm
ANGLES	5°



DWN PARUSURAM.T 10 JULY 2010

CHK ALLAN.P 10 JULY 2010

APVD STEPHEN.P 10 JULY 2010

PRODUCT SPEC -

APPLICATION SPEC -

WEIGHT -

MATERIAL -

FINISH -



TE Connectivity

NAME SMD MOULDED POWER RESISTOR SERIES SP1

SIZE	CAGE CODE	DRAWING NO	RESTRICTED TO
A 4	00779	C-1624281	-

Customer Drawing

SCALE 8:1 SHEET 1 OF 1 REV BB