

2589-ID-10

NOTES:

1. THESE MOUNTING CLIPS ARE FOR HOLDING THE 2481 SERIES HOUSINGS TO THE MAIN PANEL TOPS OF ELECTRIC RANGES.
2. SCREW SIZE INDICATION.
3. .015/(.38) MAXIMUM CUT OFF.
4. .010/(.25) MAXIMUM MISMATCH.
5. THREAD FORM FOR A #10-32 SCREW.
6. THIS SURFACE MAY BE FORMED IN THIS DIRECTION A MAXIMUM OF 5°.

MATERIAL:

STEEL, STAINLESS, TYPE 301, .020/(.51) THICK.

THIS DRAWING CONTAINS INFORMATION THAT IS PROPRIETARY TO MOLEX ELECTRONIC TECHNOLOGIES, LLC AND SHOULD NOT BE USED WITHOUT WRITTEN PERMISSION									
SYMBOLS		DIMENSION UNITS		SCALE		CURRENT REV DESC: IMPORT TO NX			
∇ = 0	IN/MM	2:1		EC NO: 608062 DRWN: SALHAMY 2018/11/21 CHK'D: MKIPPER 2018/11/21 APPR: FSMITH 2018/11/21 INITIAL REVISION: DRWN: RHR 11/20/92 APPR: RAS 11/20/92					
∇ = 0	GENERAL TOLERANCES (UNLESS SPECIFIED)								
∇ = 0	MM	INCH							
∇ = 0	4 PLACES	±	±						
∇ = 0	3 PLACES	±	0.01 ±						
∇ = 0	2 PLACES	±	0.014 ± 0.25						
∇ = 0	1 PLACE	±	± 0.35						
∇ = 0	0 PLACES	±	±						
∇ = 0	ANGULAR TOL ± 0.5°			THIRD ANGLE PROJECTION					
∇ = 0	DRAFT WHERE APPLICABLE MUST REMAIN WITHIN DIMENSIONS			DRAWING		SERIES		MATERIAL NUMBER	
				C-SIZE		2589		SEE CHART	

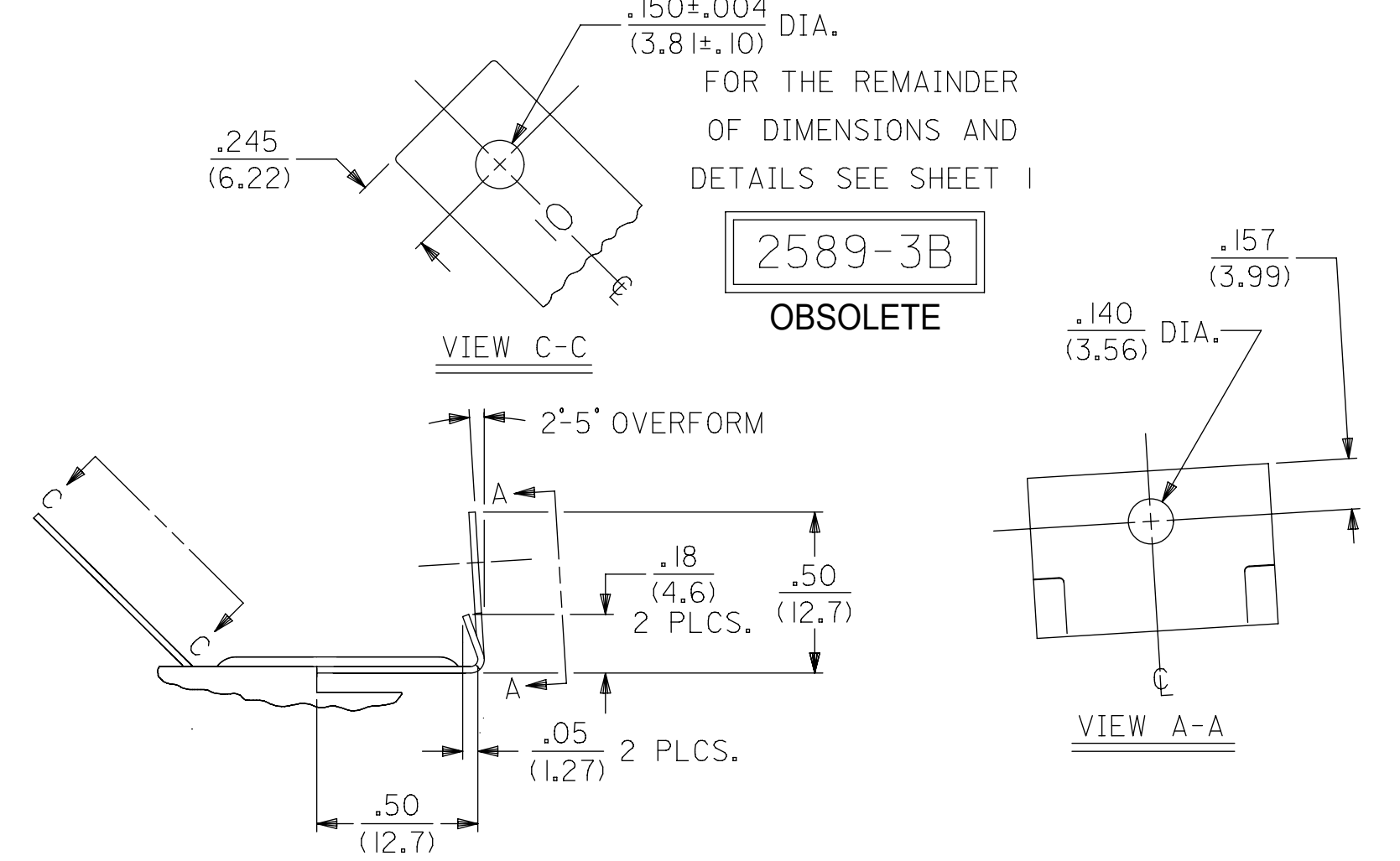
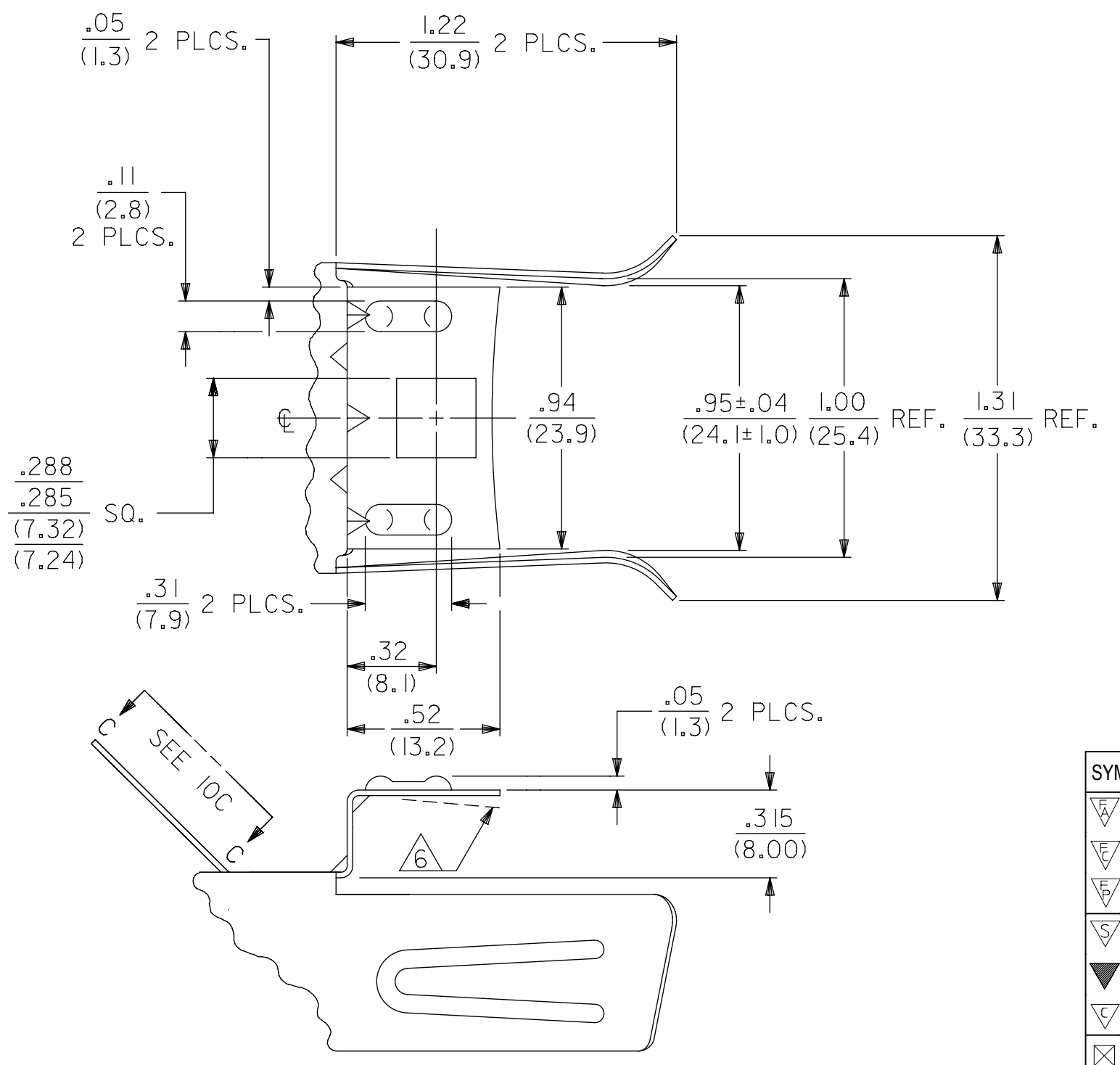
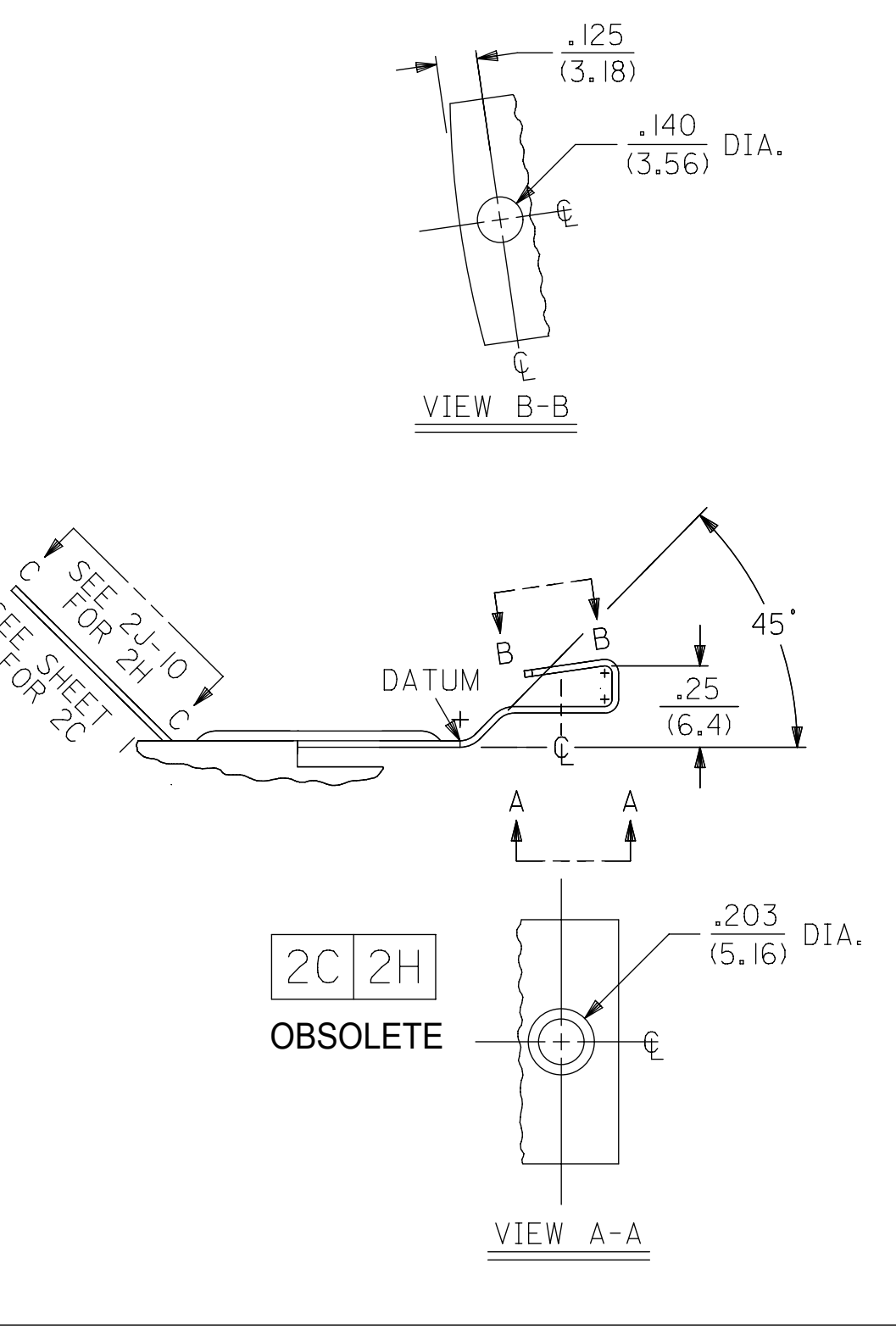
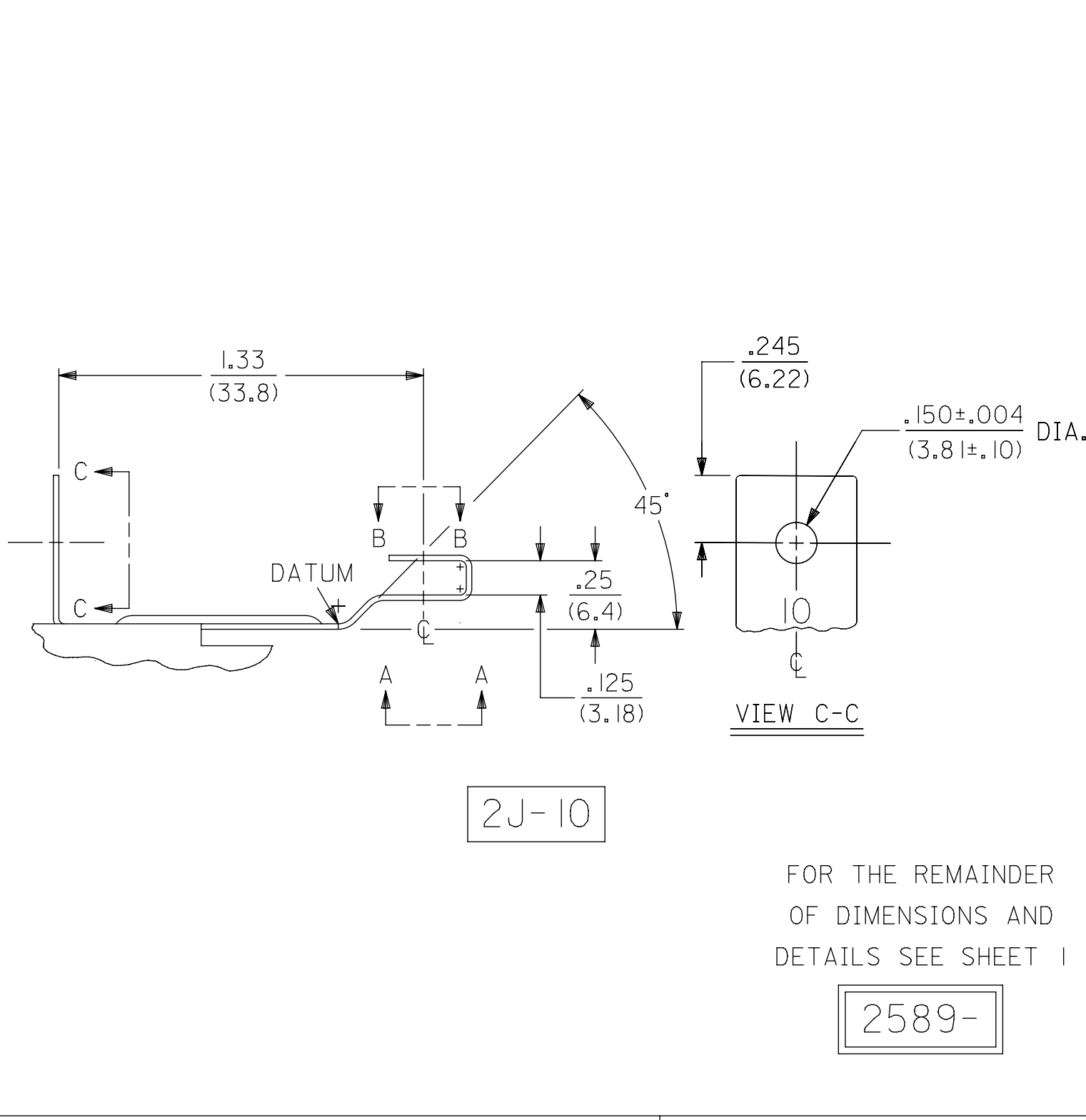
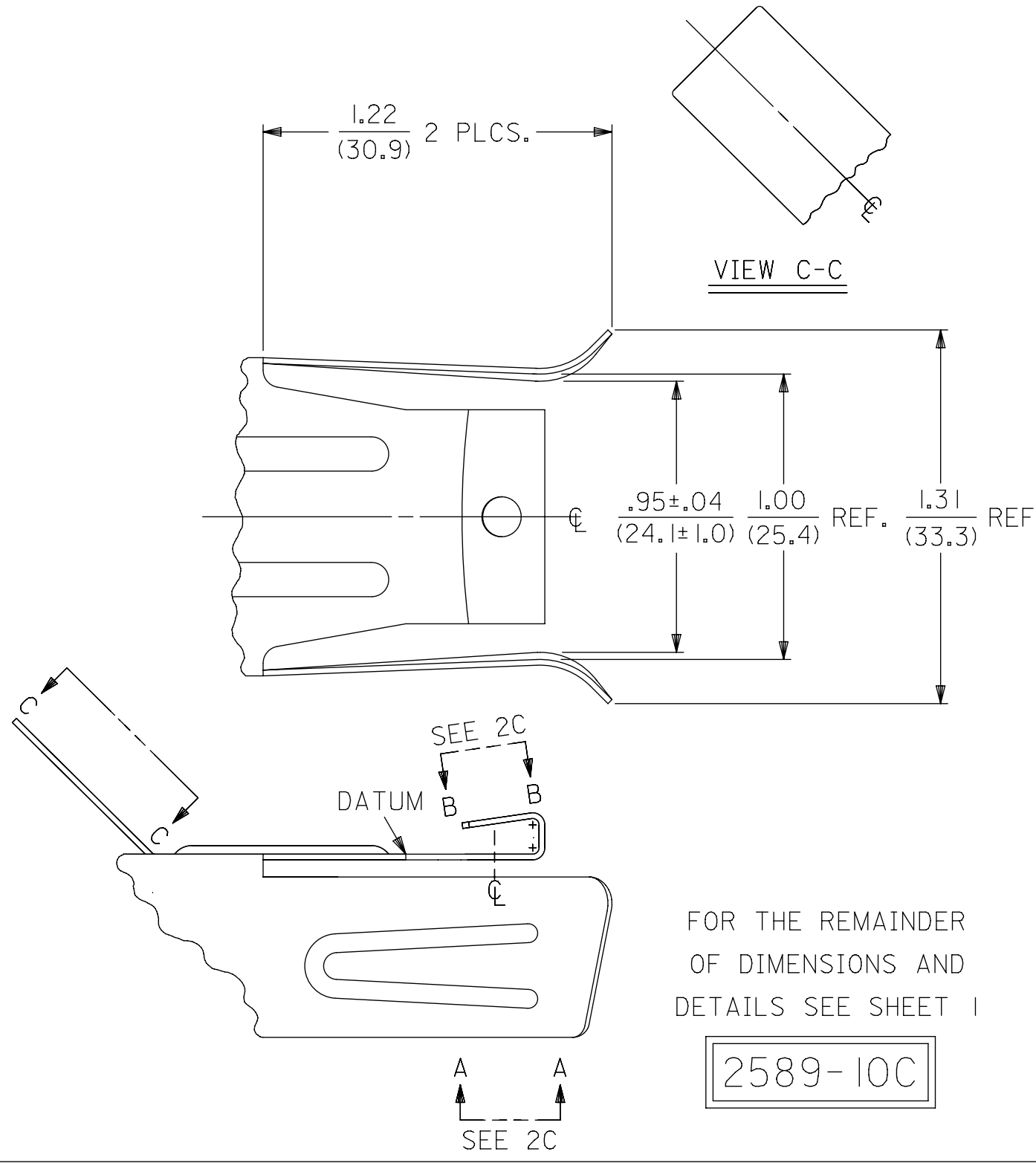
molex

MOUNTING CLIP

PRODUCT CUSTOMER DRAWING

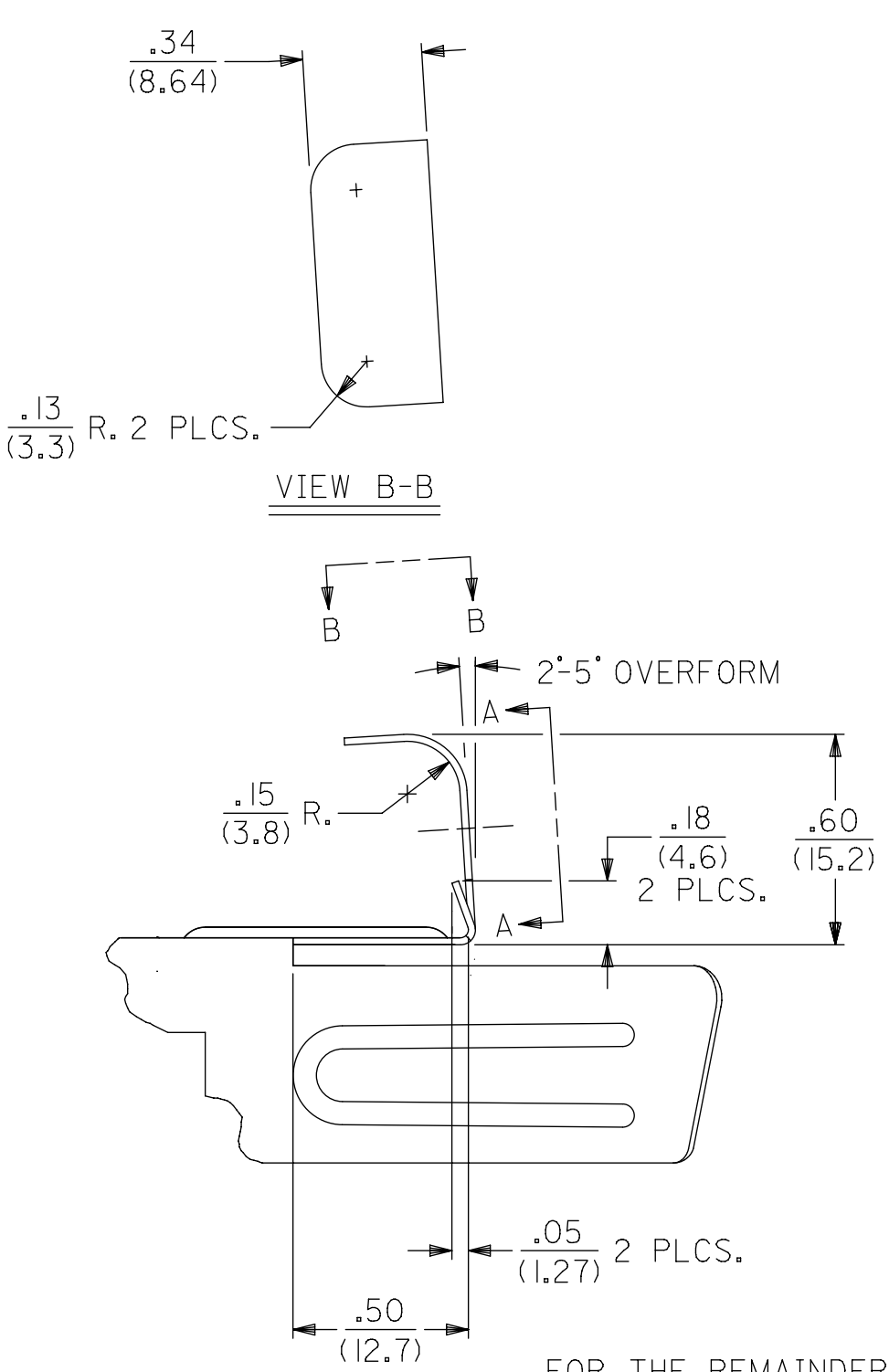
DOCUMENT NUMBER	DOC TYPE	DOC PART	REVISION
SD-2589-X	PSD	001	AD1

MATERIAL NUMBER	CUSTOMER	SHEET NUMBER
SEE CHART	GENERAL MARKET	1 OF 3

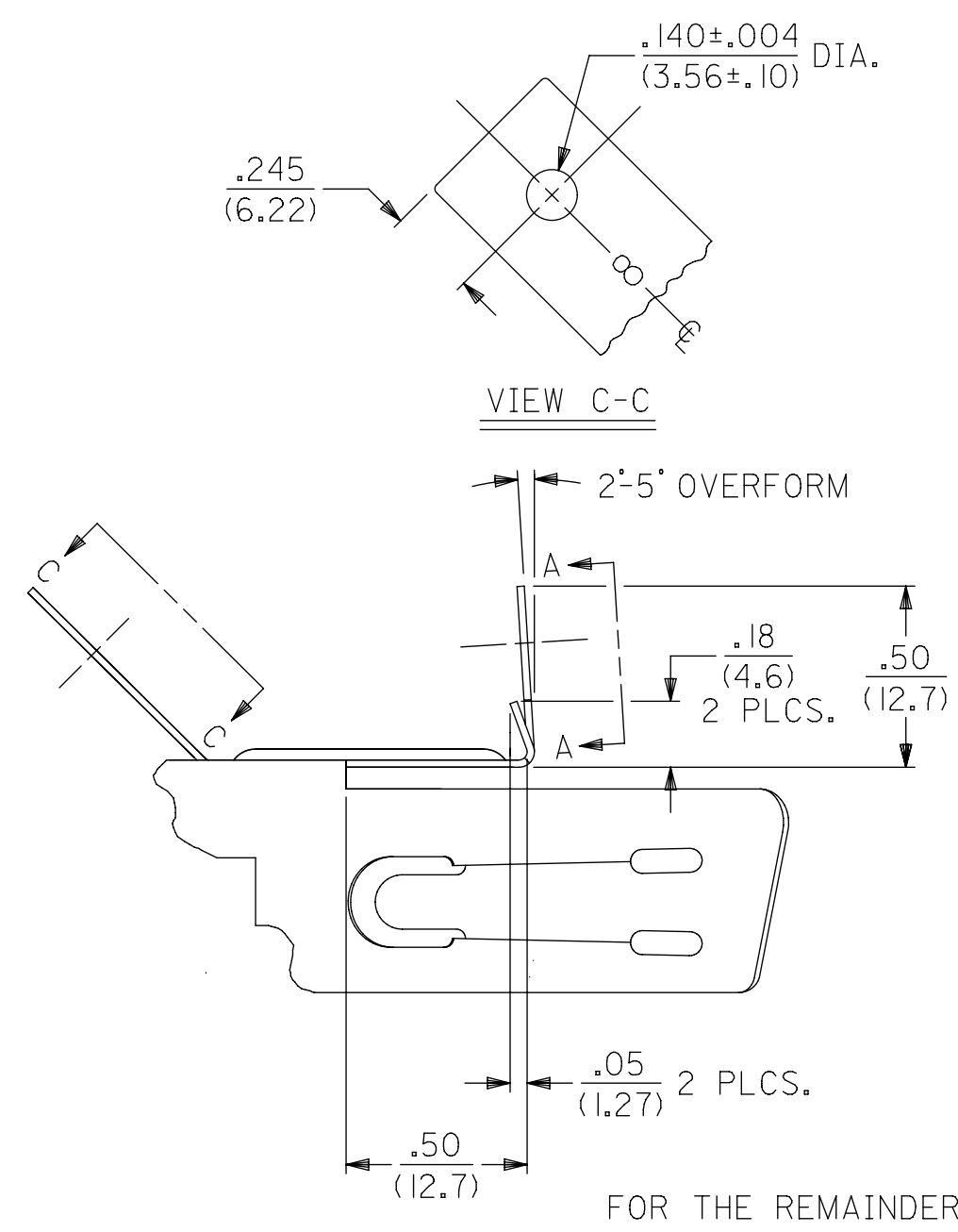
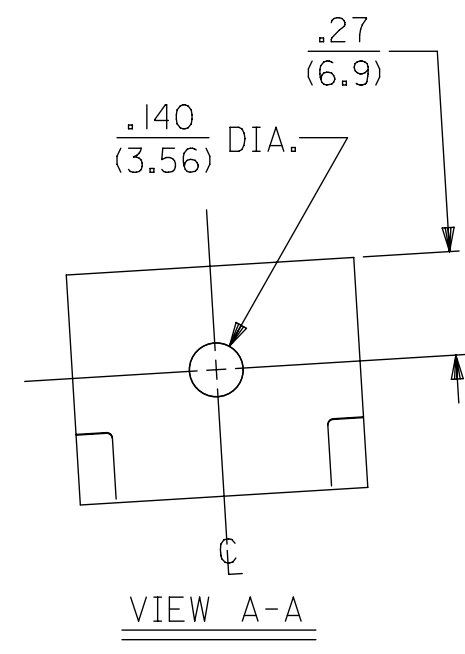


SYMBOLS		THIS DRAWING CONTAINS INFORMATION THAT IS PROPRIETARY TO MOLEX ELECTRONIC TECHNOLOGIES, LLC AND SHOULD NOT BE USED WITHOUT WRITTEN PERMISSION		CURRENT REV DESC: IMPORT TO NX	
∇ = 0	IN/MM	SCALE	2:1		
∇ = 0	GENERAL TOLERANCES (UNLESS SPECIFIED)		EC NO: 608062		
∇ = 0	MM	INCH	DRWN: SALHAMY	2018/11/21	MATERIAL NUMBER SD-2589-X
∇ = 0	4 PLACES ±	±	CHK'D: MKIPPER	2018/11/21	
∇ = 0	3 PLACES ±	0.01 ±	APPR: FSMITH	2018/11/21	DOC TYPE PSD
∇ = 0	2 PLACES ±	0.014 ±	INITIAL REVISION:		DOC PART 001
∇ = 0	1 PLACE ±	± 0.35	DRWN: RHR	11/20/92	REVISION AD1
∇ = 0	0 PLACES ±	±	APPR: RAS	11/20/92	
∇ = 0	ANGULAR TOL	± 0.5°	THIRD ANGLE PROJECTION	DRAWING	SHEET NUMBER 2 OF 3
∇ = 0	DRAFT WHERE APPLICABLE MUST REMAIN WITHIN DIMENSIONS		C-SIZE	SERIES 2589	CUSTOMER GENERAL MARKET

PART NO.	ENG. NO.	DIMENSION	
		A	
089-00-2006	2589-ID-10	.48±.025 (12.2±.64)	
089-00-2027	2589-2J-10	.562±.025 (14.27±.64)	
089-00-2047	2589-6F	.375±.015 (9.53±.38)	
089-00-2100	2589-10C	.48±.025 (12.2±.64)	
089-00-2103	2589-23	.62±.025 (15.7±.64)	

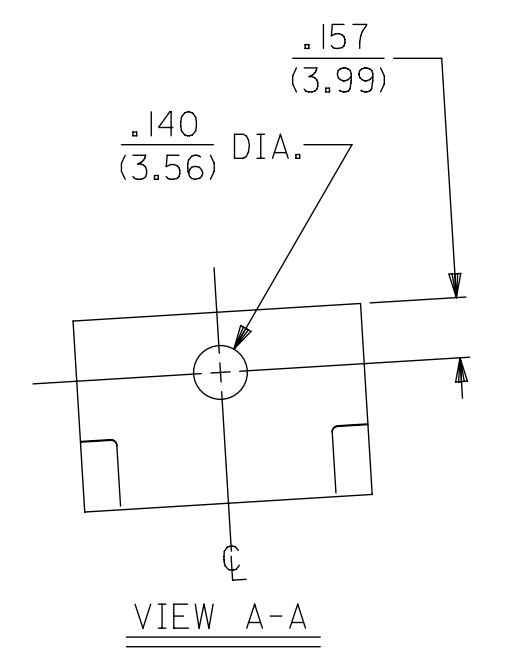


FOR THE REMAINDER
OF DIMENSIONS AND
DETAILS SEE SHEET 1
2589-23



FOR THE REMAINDER
OF DIMENSIONS AND
DETAILS SEE SHEET 1

2589-21A OBSOLETE



SYMBOLS										THIS DRAWING CONTAINS INFORMATION THAT IS PROPRIETARY TO MOLEX ELECTRONIC TECHNOLOGIES, LLC AND SHOULD NOT BE USED WITHOUT WRITTEN PERMISSION												
▽ = 0	▽ = 0	▽ = 0	▽ = 0	▽ = 0	▽ = 0	▽ = 0	▽ = 0	▽ = 0	▽ = 0	IN/MM	SCALE	CURRENT REV DESC: IMPORT TO NX										
▽ = 0	▽ = 0	▽ = 0	▽ = 0	▽ = 0	▽ = 0	▽ = 0	▽ = 0	▽ = 0	▽ = 0	1:1		GENERAL TOLERANCES (UNLESS SPECIFIED)										
▽ = 0	▽ = 0	▽ = 0	▽ = 0	▽ = 0	▽ = 0	▽ = 0	▽ = 0	▽ = 0	▽ = 0	MM	INCH											
▽ = 0	▽ = 0	▽ = 0	▽ = 0	▽ = 0	▽ = 0	▽ = 0	▽ = 0	▽ = 0	▽ = 0	4 PLACES	±	±	EC NO: 608062	2018/11/21	molex MOUNTING CLIP							
▽ = 0	▽ = 0	▽ = 0	▽ = 0	▽ = 0	▽ = 0	▽ = 0	▽ = 0	▽ = 0	▽ = 0	3 PLACES	± 0.01	±	DRWN: SALHAMY	2018/11/21								
▽ = 0	▽ = 0	▽ = 0	▽ = 0	▽ = 0	▽ = 0	▽ = 0	▽ = 0	▽ = 0	▽ = 0	2 PLACES	± 0.014	± 0.25	APPR: FSMITH	2018/11/21	PRODUCT CUSTOMER DRAWING							
▽ = 0	▽ = 0	▽ = 0	▽ = 0	▽ = 0	▽ = 0	▽ = 0	▽ = 0	▽ = 0	▽ = 0	1 PLACE	±	± 0.35	INITIAL REVISION:									
▽ = 0	▽ = 0	▽ = 0	▽ = 0	▽ = 0	▽ = 0	▽ = 0	▽ = 0	▽ = 0	▽ = 0	0 PLACES	±	±	DRWN: RHR	11/20/92	DOCUMENT NUMBER	DOC TYPE	DOC PART	REVISION				
▽ = 0	▽ = 0	▽ = 0	▽ = 0	▽ = 0	▽ = 0	▽ = 0	▽ = 0	▽ = 0	▽ = 0	ANGULAR TOL	± 0.5°		APPR: RAS	11/20/92	SD-2589-X	PSD	001	AD1				
▽ = 0	▽ = 0	▽ = 0	▽ = 0	▽ = 0	▽ = 0	▽ = 0	▽ = 0	▽ = 0	▽ = 0	DRAFT WHERE APPLICABLE MUST REMAIN WITHIN DIMENSIONS			THIRD ANGLE PROJECTION	DRAWING	SERIES	MATERIAL NUMBER	CUSTOMER	SHEET NUMBER				
▽ = 0	▽ = 0	▽ = 0	▽ = 0	▽ = 0	▽ = 0	▽ = 0	▽ = 0	▽ = 0	▽ = 0				C-SIZE	2589	SEE CHART	GENERAL MARKET		3 OF 3				