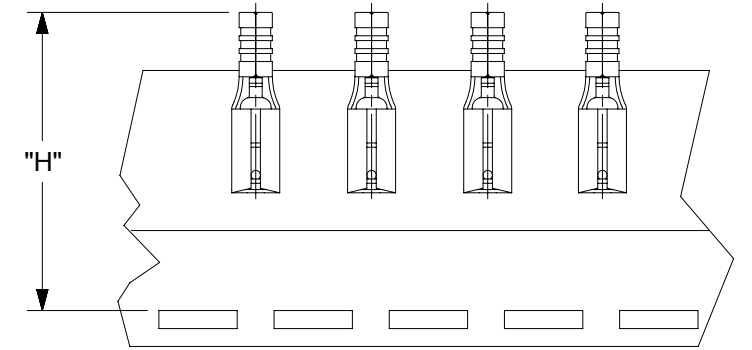
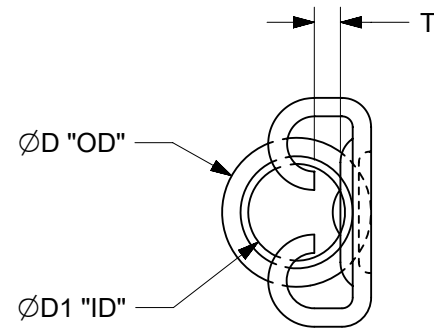
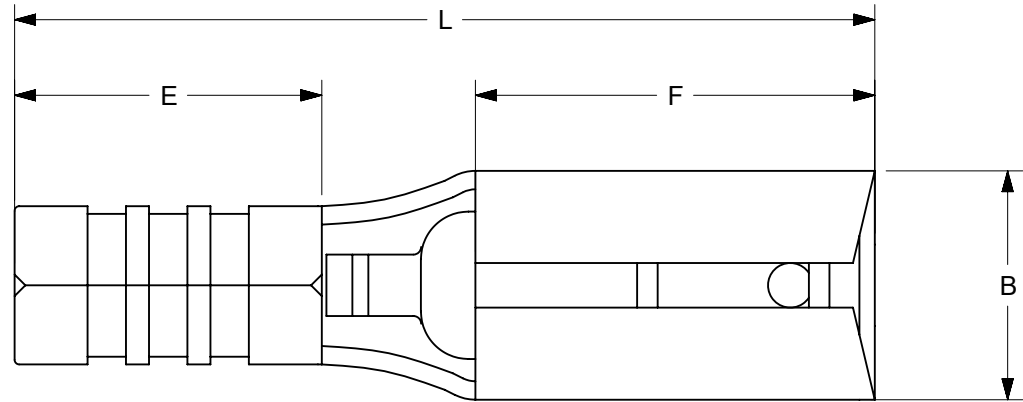


| MATERIAL NUMBER | ENGINEERING NUMBER | WIRE RANGE AWG | TAPED MATERIAL NUMBER | TAPED ENGINEERING NUMBER | T MAX | B MAX | F MIN | L MAX | E MIN | D1 MIN | D MAX | H NOMINAL |
|-----------------|--------------------|----------------|-----------------------|--------------------------|----------|-----------|-----------|------------|-----------|-----------|-----------|-------------|
| 192030373 | 192030373 | 16-14 | 192030467 | 19203-0467 | .030/.75 | .239/6.06 | .252/6.40 | .587/14.92 | .173/4.40 | .083/2.10 | .138/3.50 | 1.184/30.07 |
| 192030390 | 192030390 | 16-14 | 192030469 | 19203-0469 | .030/.75 | .302/7.66 | .307/7.80 | .666/16.92 | .173/4.40 | .083/2.10 | .138/3.50 | 1.184/30.07 |
| 192030379 | 192030379 | 12-10 | 192030468 | 19203-0468 | .030/.75 | .302/7.66 | .307/7.80 | .706/17.92 | .213/5.40 | .130/3.30 | .185/4.70 | 1.235/31.37 |

(B1)



TAPE MOUNTING LOCATION

- NOTES:
1. MATERIAL: STEEL .016/0.40 THICK REF.
 2. FINISH: NICKEL PLATED WITH OPTIONAL COPPER FLASH UNDERPLATING, IS ALLOWED FOR IMPROVED ADHESION.
 3. PART IS ROHS COMPLIANT.
 4. AMBIENT OPERATING TEMPERATURE UP TO 900 °F (483 °C).

(B1)

| | | | | | | |
|--|---|-------------------|---|--------------------------|--|--|
| FUNCTIONAL SYMBOLS FA = 0 FC = 0 FE = 0 | THIS DRAWING CONTAINS INFORMATION THAT IS PROPRIETARY TO MOLEX ELECTRONIC TECHNOLOGIES, LLC AND SHOULD NOT BE USED WITHOUT WRITTEN PERMISSION | | CURRENT REV DESC: REMASTERED IN ECTR AND UPDATED NOTE | | molex | |
| | DIMENSION UNITS | SCALE | | | | |
| | GENERAL TOLERANCES (UNLESS SPECIFIED) | | EC NO: 708789 | | KRYPTITE | |
| | 4 PLACES ± | | DRWN: PAWANC | | QUICK DISCONNECT, STEEL, 900 DEG F (483 DEG C) | |
| 3 PLACES ± | | 2022/05/12 | | PRODUCT CUSTOMER DRAWING | | |
| 2 PLACES ± | | CHKD: DMYRICK | | DOCUMENT NUMBER | | |
| 1 PLACE ± | | APPR: JMACNEIL | | SD-19203-025 | | |
| 0 PLACES ± | | INITIAL REVISION: | | DOC TYPE | | |
| ANGULAR TOL ± ° | | DRWN: ASAYDEH | | DOC PART | | |
| DRAFT WHERE APPLICABLE MUST REMAIN WITHIN DIMENSIONS | | APPR: R DERROSS | | REVISION | | |
| THIRD ANGLE PROJECTION | | SERIES | | B1 | | |
| DRAWING | | MATERIAL NUMBER | | SHEET NUMBER | | |
| B-SIZE | | CUSTOMER | | 1 OF 1 | | |
| 19203 | | SEE CHART | | GENERAL MARKET | | |