

Global Change Notification (GCN)

Product Family

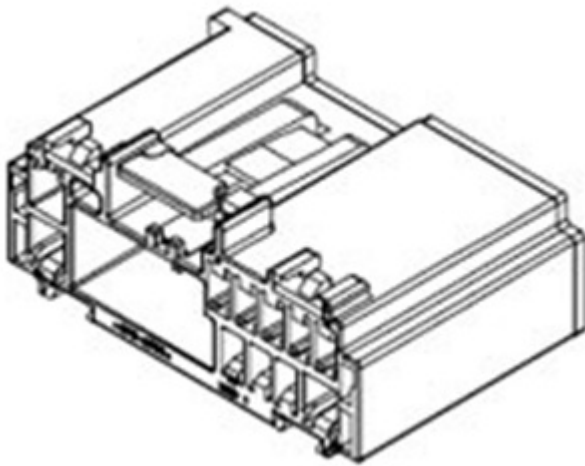
GCN Number

Series

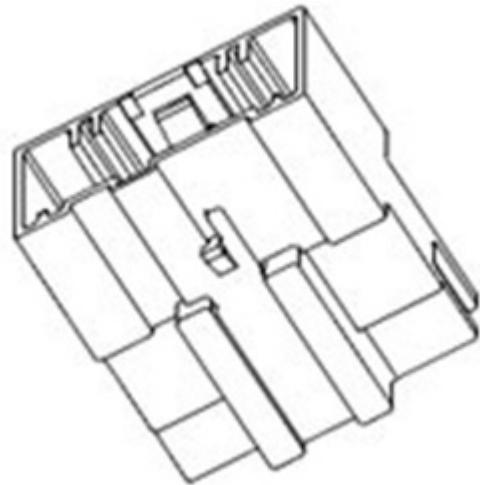
Date Issued

Reason For Change

Change Description



30700 Female - Series image - Reference only



30968 Male - Series image - Reference only

Part Numbers Affected

Reason For Short Notice Exception

Assessment Of Change (How Product Will Be Qualified & Validated)

Internal Molex Qualification Date (Planned Date Information Available)

Sample Availability Date (Changed Part)

Date of Implementation

Method of Identifying Change

Recommended Replacement Parts

Last Time Buy Date for Obsolete Parts

Last Time Ship Date for Obsolete Parts

Contact	Name	E-mail	Phone Number
Sales Engineer	Please refer to e-mail message for your local sales engineer.		
Regional Coordinator (Japan and Korea)	Naomi Maruyama	Naomi.Maruyama@molex.co.jp	+81-46-265-2416
Regional Coordinator (Asia- excluding Japan and Korea)	Allen Yu	Allen.Yu@molex.com	+886-2-66251751
Regional Coordinator (Europe, Middle East, Africa)	QuiNann Lim	QuiNann.Lim@molex.com	+31-40-295-8472
Regional Coordinator (Americas)	Maria Sullivan	Maria.Sullivan@molex.com	1-727-322-4352

Molex, Inc.
 2222 Wellington Court
 Lisle, IL 60532
 TEL: 630-969-4747
www.molex.com

307001244
309681247
309681248
313891244
307001245
307001246
307002244
307002245
307002246
309681249
309682247
309682248
309682249
313891245
313891246
313892244
313892245
313892246