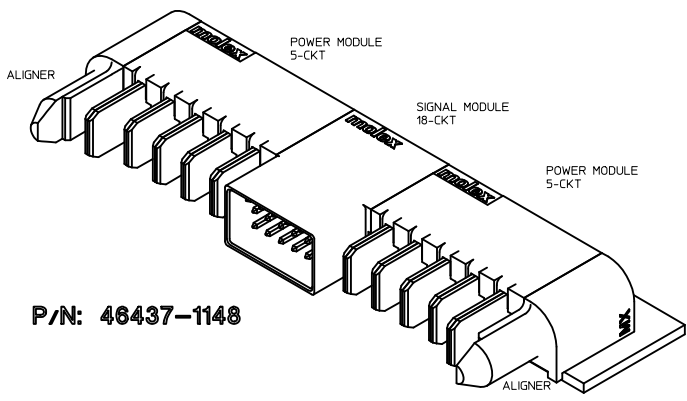
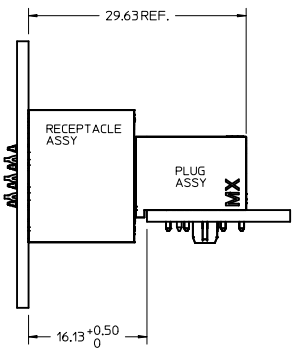
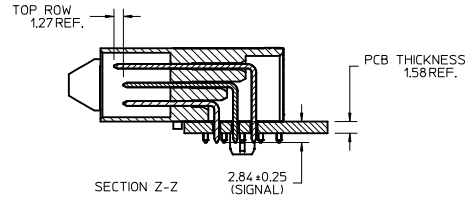
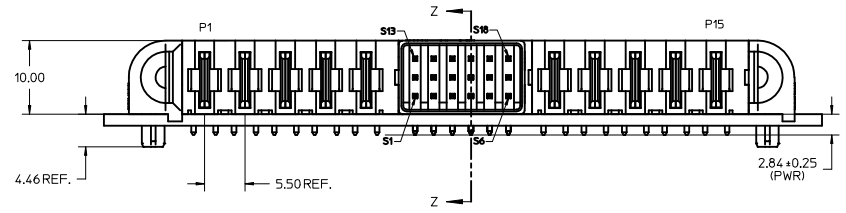
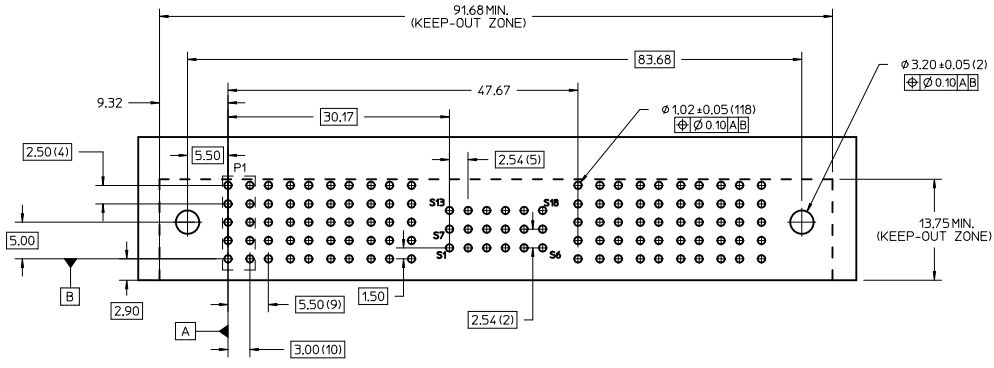
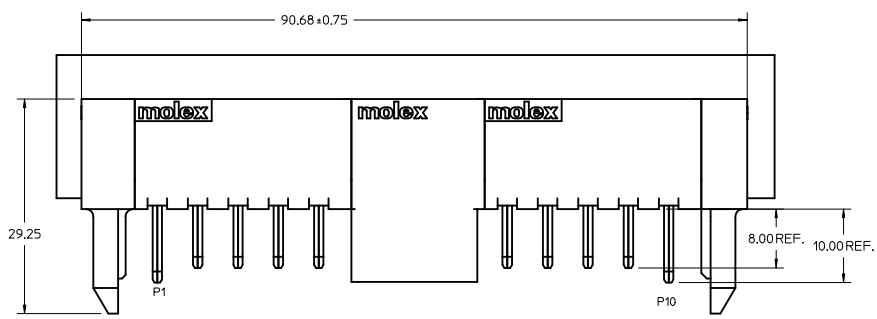


RECOMMENDED PCB LAYOUT AND KEEP-OUT ZONE

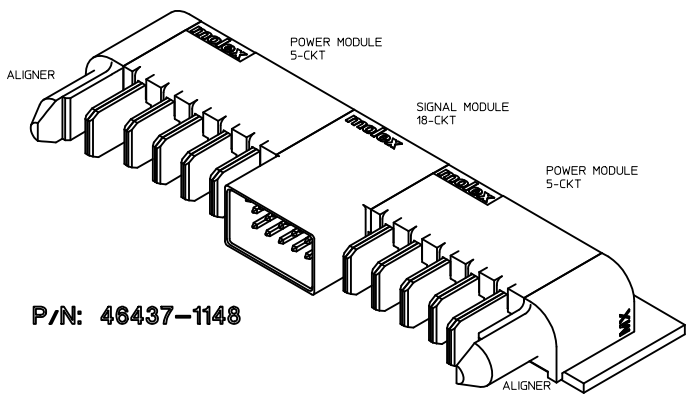
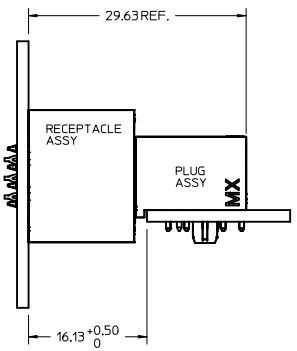
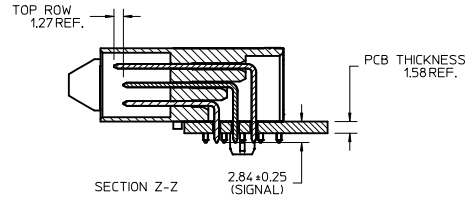
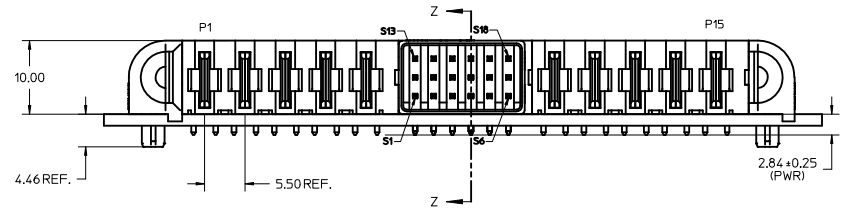


- NOTES:
- MATERIAL:
    - HOUSINGS: LCP UL94 V-0, COLOR: BLACK.
    - TERMINALS: COPPER ALLOY.
    - PLATING: 0.000127 NICKEL OVERALL, WITH 0.00254 SELECTIVE MATTE TIN ON TAILS, AND 0.000762 SELECTIVE GOLD ON CONTACT AREA.
  - PACKAGING ASSEMBLIES TO BE TRAY PACKED, STD. QUANTITY: TBD.
  - PC BOARD REQUIRES SOLDER THRU HOLES, REFER TO PS-46436-100 FOR DETAILS.
  - PRODUCT SPEC: PS-46436-100.
  - APPLICATION SPEC: AS-46436-100.
  - SEE PRODUCT SPEC. FOR RoHS REQUIREMENTS.
  - ASSEMBLY MATES WITH MOLEX RECEPTACLE ASSEMBLY, P/N 46562-1148.

FINAL RELEASE IEC NO: UCP2011-2459 DRWN: JSCHAEFER 2011/02/16 CHKD: APATEL 2011/03/03 APPR: APATEL 2011/03/03 REV: A	QUALITY SYMBOLS	GENERAL TOLERANCES (UNLESS SPECIFIED)	DIMENSION STYLE	SCALE	DESIGN UNITS	THIRD ANGLE PROJECTION	
		mm INCH	MM ONLY	3:1	METRIC		
		4 PLACES ± --- ± ---	DRAWN BY DATE	TITLE			
		3 PLACES ± --- ± ---	CHKD BY DATE	RA PLUG ASSY			
	2 PLACES ± 0.25 ± ---	APPROVED BY DATE	SP-18S-5P				
	1 PLACE ± 0.25 ± ---		TEN60 POWER FAMILY				
	ANGULAR ± 1/2°		MOLEX INCORPORATED				
	DRAFT WHERE APPLICABLE MUST REMAIN WITHIN DIMENSIONS		MATERIAL NO.	DOCUMENT NO.	SHEET NO.		
			46437-1148	SD-46437-1148	1 OF 1		
			THIS DRAWING CONTAINS INFORMATION THAT IS PROPRIETARY TO MOLEX INCORPORATED AND SHOULD NOT BE USED WITHOUT WRITTEN PERMISSION				



RECOMMENDED PCB LAYOUT AND KEEP-OUT ZONE



P/N: 46437-1148

NOTES:

- MATERIAL:
  - HOUSINGS: LCP UL94 V-0, COLOR: BLACK.
  - TERMINALS: COPPER ALLOY.
  - PLATING: 0.000127 NICKEL OVERALL WITH 0.00254 SELECTIVE MATTE TIN ON TAILS AND 0.000762 SELECTIVE GOLD ON CONTACT AREA.
- PACKAGING ASSEMBLIES TO BE TRAY PACKED, STD. QUANTITY: TBD.
- PC BOARD REQUIRES SOLDER THRU HOLES, REFER TO PS-46436-100 FOR DETAILS.
- PRODUCT SPEC: PS-46436-100.
- APPLICATION SPEC: AS-46436-100.
- SEE PRODUCT SPEC. FOR RoHS REQUIREMENTS.
- ASSEMBLY MATES WITH MOLEX RECEPTACLE ASSEMBLY, P/N 46562-1148.

FINAL RELEASE IEC NO: UCP2011-2459 DRWN: JSCHAEFER 2011/02/16 CHKD: APPR: APATEL 2011/03/03 REV DESCRIPTION	QUALITY SYMBOLS	GENERAL TOLERANCES (UNLESS SPECIFIED)	DIMENSION STYLE	SCALE	DESIGN UNITS	THIRD ANGLE PROJECTION	
		mm INCH	MM ONLY	3:1	METRIC		
	4 PLACES ± --- ± ---	3 PLACES ± --- ± ---	2 PLACES ± 0.25 ± ---	1 PLACE ± 0.25 ± ---	ANGULAR ± 1/2°	DRAWN BY DATE BKOSTIC 2010/06/02 CHECKED BY DATE BKOSTIC 2010/06/02 APPROVED BY DATE APATEL 2011/03/03 MATERIAL NO. 46437-1148 DOCUMENT NO. SD-46437-1148	
	DRAFT WHERE APPLICABLE MUST REMAIN WITHIN DIMENSIONS						TITLE RA PLUG ASSY SP-18S-5P TEN60 POWER FAMILY MOLEX INCORPORATED SHEET NO. 1 OF 1