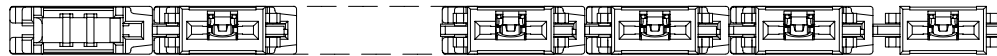
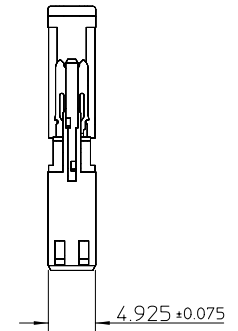
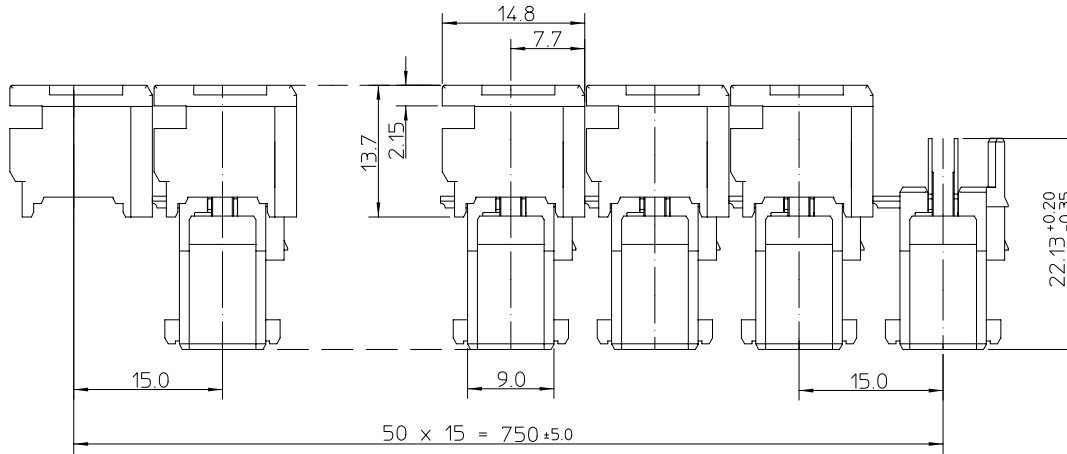
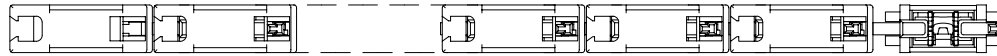
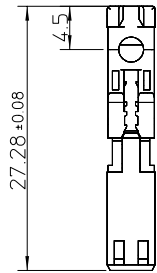


PART NO. SEE CHART
 DWG. NO. SD-91338-006



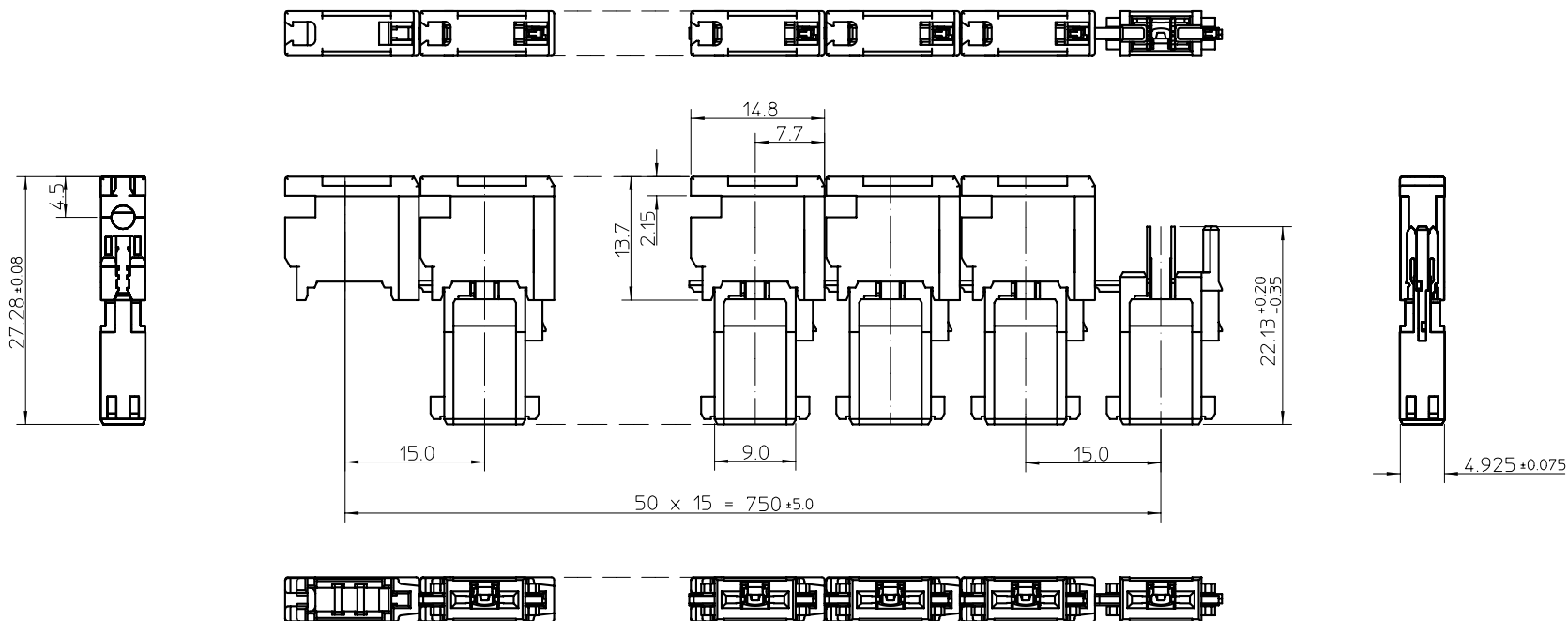
NOTES:

- MATERIALS:
 HOUSING: POLYAMIDE (PA66) UL 94V-2
 COLOUR: SEE TABLE
 TERMINAL: PHOSPHOR BRONZE, 0.4 REF THICK
- FINISHES: TERMINAL- 5µm MIN PURE Sn ALL OVER
- PRODUCT CONFORMS TO SPECIFICATION PS-99020-0037
- NO. OF CONNECTORS PER TRAY: 2400
 NO. OF CONNECTORS PER BOX: 7200

PART NO.	COLOUR
91338-1001	NATURAL
91338-1002	BLUE
91338-1003	GREY
91338-1004	YELLOW
91338-1005	GREEN
91338-1006	BLACK
91338-1007	ORANGE

original release EC No. E1999-0639 DRWN: LK 28/06/99 CHK: APPR:	DESCRIPTION MAJOR CRITICAL	QUALITY SYMBOLS		GENERAL TOLERANCES: (UNLESS SPECIFIED)		SCALE 2:1	DESIGN UNITS <input checked="" type="checkbox"/> mm <input type="checkbox"/> INCH	THIRD ANGLE PROJECTION <input type="checkbox"/> mm <input checked="" type="checkbox"/> INCH		SHT	REV	
						DRAWN BY & DATE		TITLE				
						CHECKED BY & DATE		MATERIAL NO.		DRAWING NO.		SHEET NO.
						APPROVED BY & DATE		CAD FILENAME		SEE CHART		SD-91338-006
				ANGULAR: ± 1/2°		DRAFT WHERE APPLICABLE MUST REMAIN WITHIN DIMENSIONS		THIS DRAWING CONTAINS INFORMATION THAT IS PROPRIETARY TO MOLEX INCORPORATED AND SHOULD NOT BE USED WITHOUT WRITTEN PERMISSION.				
A		REV								SIZE B		

PART NO. SD-91338-006
DWG. NO. SD-91338-006



NOTES:

- MATERIALS:
HOUSING: POLYAMIDE (PA66) UL 94V-2
COLOUR: SEE TABLE
TERMINAL: PHOSPHOR BRONZE, 0.4 REF THICK
- FINISHES: TERMINAL- 5µm MIN PURE Sn ALL OVER
- PRODUCT CONFORMS TO SPECIFICATION PS-99020-0037
- NO. OF CONNECTORS PER TRAY: 2400
NO. OF CONNECTORS PER BOX: 7200

PART NO.	COLOUR
91338-1001	NATURAL
91338-1002	BLUE
91338-1003	GREY
91338-1004	YELLOW
91338-1005	GREEN
91338-1006	BLACK
91338-1007	ORANGE

original release EC No. E1999-0639 DRWN: LK 28/06/99 CHK: APPR:	QUALITY SYMBOLS MAJOR CRITICAL	GENERAL TOLERANCES: (UNLESS SPECIFIED)		SCALE 2:1	DESIGN UNITS <input checked="" type="checkbox"/> mm <input type="checkbox"/> INCH	THIRD ANGLE PROJECTION	DIMENSIONS: <input type="checkbox"/> mm <input type="checkbox"/> INCH <input checked="" type="checkbox"/> mm ONLY		SHT	REV
		4 PLACES ±---	±---	mm	INCH		DRAWN BY & DATE ccconlon 99/06/28		REVISIONS ON CAD ONLY	
A	REV	3 PLACES ±---	±---	CHECKED BY & DATE P.WHITE 99/06/28		TITLE RAST 5 1CCT 10A INDIRECT FEMALE				
		2 PLACES ±0.05	±---	APPROVED BY & DATE MWILHITE 1/07/99		MATERIAL NO. DRAWING NO. SEE CHART SD-91338-006				
		1 PLACE ±0.10	±---	CAD FILENAME		SHEET NO. 1 of 1				
		ANGULAR: ± 1/2°		DRAFT WHERE APPLICABLE MUST REMAIN WITHIN DIMENSIONS		THIS DRAWING CONTAINS INFORMATION THAT IS PROPRIETARY TO MOLEX INCORPORATED AND SHOULD NOT BE USED WITHOUT WRITTEN PERMISSION				
						SIZE B				