

6 & 8 VERSIONS

8 VERSION SHOWN

NOTES :

1- MATERIAL:

-HOUSING: POLYESTER FIBER GLASS FILLED UL 94-V0, COLOR BLACK.

-TERMINAL: PHOSPHOR BRONZE .

PLATING 2:

POST PLATE (0.00127)/.000050 MIN GOLD IN CONTACT AREA

(0.00190)/.000075 MIN PURE TIN IN TAIL AREA

BOTH OVER (0.00127)/.000050 MIN NICKEL OVERALL.

PLATING 7.

POST PLATE (0.00005)/.000002 MIN GOLD OVER (0.00076)/.000030 MIN

PALLADIUM NICKEL IN CONTACT AREA (0.00190)/.000075 MIN

PURE TIN IN TAIL AREA BOTH OVER (0.00127)/.000050 MIN NICKEL OVERALL (4 CKTS VERSION)

2- JACK FOR MATING WITH F.C.C. 68 PLUGS 90075 MOLEX SERIES.

3- PRODUCT SPECIFICATION PS-9500I.

4- APPLICATION SPECIFICATION AS-9500I.

5- PACKAGING SPECIFICATION PK-9500I; STANDARD PACKAGING SHEET 1.

SPECIAL PACKAGING SHEET 2. TUBE PACKAGING SHEET 3.

OPTIONAL KEYING

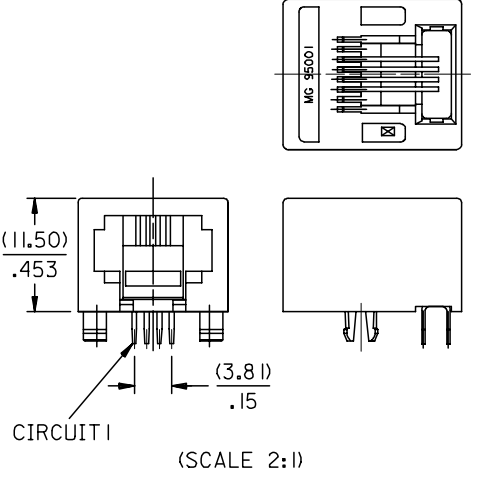
EC NO: MG2005-0106 DRWN: MARTIN 2004/10/12 CHKD: FCARABET 2004/10/12 APPR: KNOLLER 2004/10/13	QUALITY SYMBOLS ▽=0 ▽=0	GENERAL TOLERANCES (UNLESS SPECIFIED)		DIMENSION STYLE MM/IN		SCALE 4:1	DESIGN UNITS METRIC	THIRD ANGLE PROJECTION	
		4 PLACES ± --- ± --- 3 PLACES ± --- ± .006 2 PLACES ± 0.15 ± .010 1 PLACE ± 0.25 ± --- ANGULAR ± ---°	DRAWN BY FB DATE 1993/02/24	TITLE R/A LOW PROFILE PC JACK 4,6,8 CKTS SIZE THROUGH HOLE VERSION		MOLEX INCORPORATED		DOCUMENT NO. SDA-9500I	SHEET NO. 1 OF 9
DRAFT WHERE APPLICABLE MUST REMAIN WITHIN DIMENSIONS	SEE CHART SHEETS 4.5688	THIS DRAWING CONTAINS INFORMATION THAT IS PROPRIETARY TO MOLEX INCORPORATED AND SHOULD NOT BE USED WITHOUT WRITTEN PERMISSION							

10 9 8 7 6 5 4 3 2 1

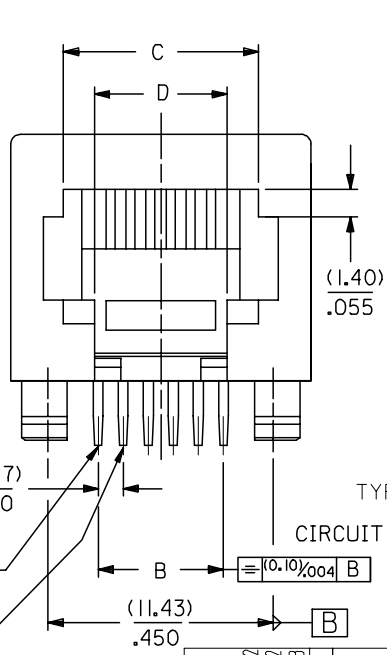
PART NUMBER	WITH "LIP"	PLUG CAVITY	LOADED CKTS	B	C	D
95001-2147	NO	6	4	(3.81) .150	(9.88) .389	(6.70) .254
95001-2141	YES					
95001-2161	YES	6	6	(6.35) .250	(9.88) .389	(6.70) .254
95001-2181	YES	8	8	(8.89) .350	(11.94) .470	(6.30) .240

**6/4 VERSION
WITHOUT "LIP"
(95001-2147)**

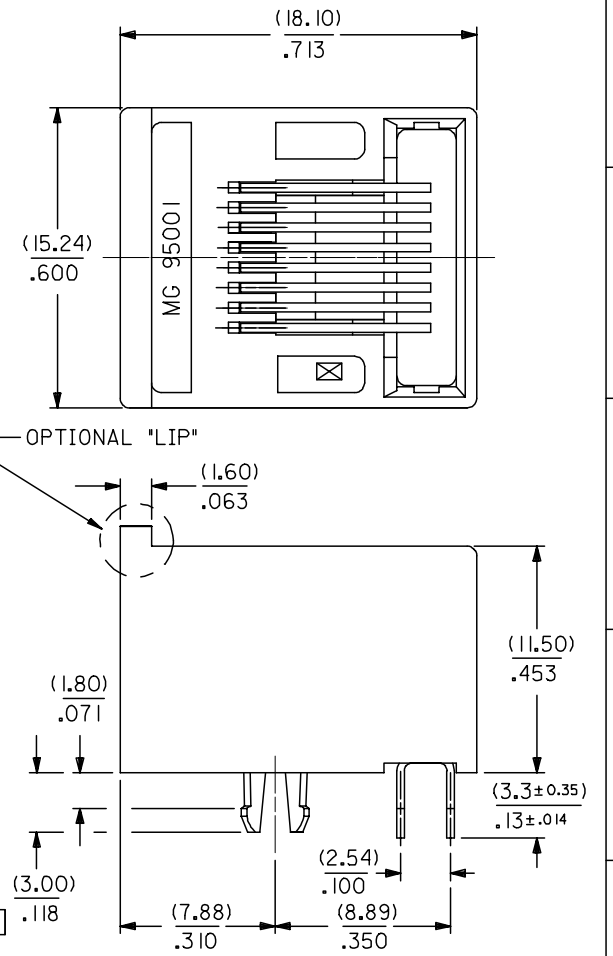
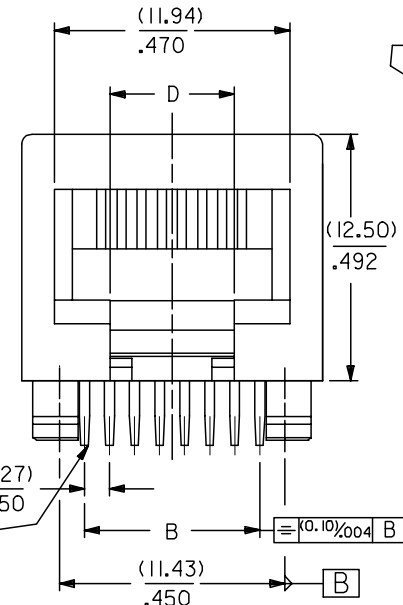
ALL OTHER DIMENSIONS
IDENTICAL TO VERSION
WITH "LIP".



**6/4 & 6/6 VERSION
WITH "LIP"**



8/8 VERSION



NOTES:
SEE NOTES SHEET 1

EC NO: MG2005-0106 DRAWN: MARTIN 2004/10/12 CHKD: FCARABET 2004/10/12 APPR: KNOLLER 2004/10/13	QUALITY SYMBOLS ▽=0 ▽=0	GENERAL TOLERANCES (UNLESS SPECIFIED)		DIMENSION STYLE MM/IN		SCALE 4:1	DESIGN UNITS METRIC	THIRD ANGLE PROJECTION			
		4 PLACES ± --- ± ---	3 PLACES ± --- ± .006	DRAWN BY FB	DATE 1993/02/25	TITLE R/A LOW PROFILE PC JACK 8 CKT. SIZE 8&6 CKT PLUG CAVITY AND 8,6&4					
		2 PLACES ± 0.15 ± .010	1 PLACE ± 0.25 ± ---	CHECKED BY TB	DATE 1993/02/25	MOLEX INCORPORATED					
		ANGULAR ± ---°		APPROVED BY DATE	MATERIAL NO.	DOCUMENT NO. SDA-95001	SHEET NO. 7 OF 9				
DRAFT WHERE APPLICABLE MUST REMAIN WITHIN DIMENSIONS		SEE CHART		THIS DRAWING CONTAINS INFORMATION THAT IS PROPRIETARY TO MOLEX INCORPORATED AND SHOULD NOT BE USED WITHOUT WRITTEN PERMISSION							

9 8 7 6 5 4 3 2 1