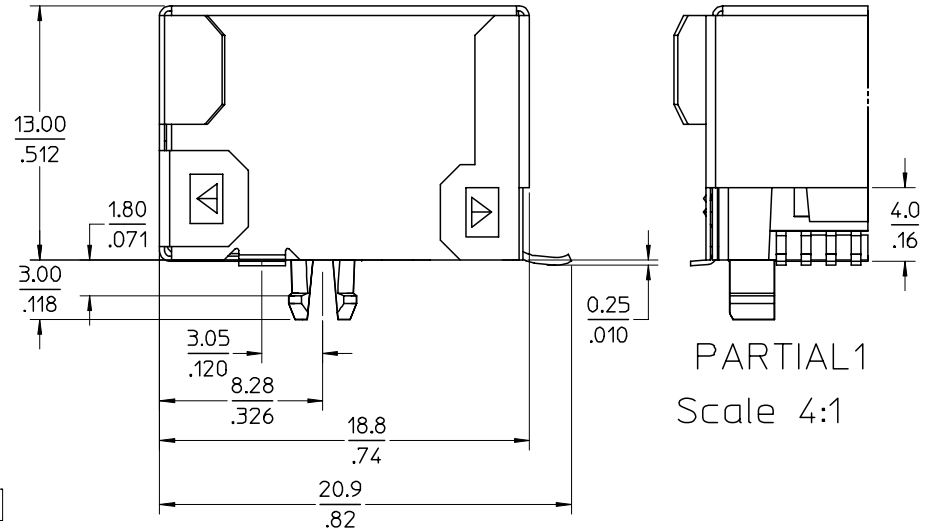
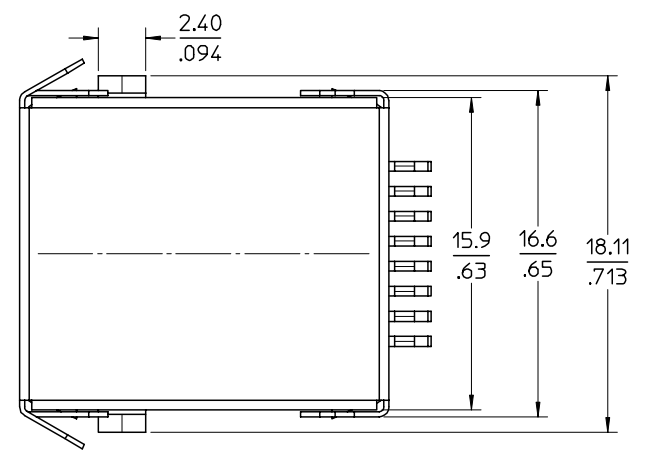
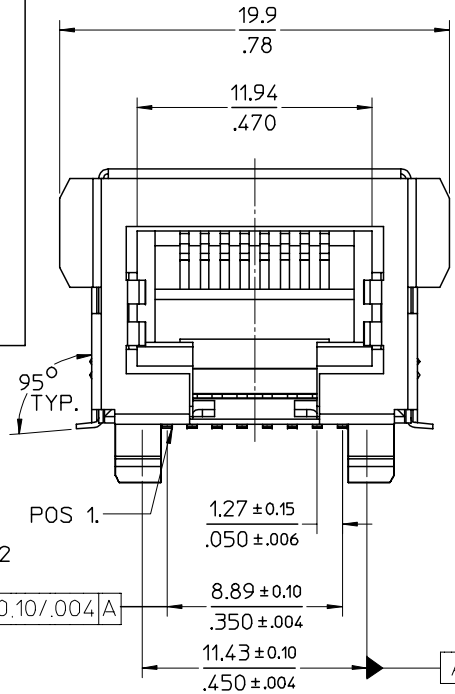


- NOTES:**
- 1- JACK FOR MATING WITH SHIELDED PLUG (MOLEX 95043 AND 85568 SERIES)
 - 2- PRODUCT SPECIFICATION: PS-95122
 - 3- APPLICATION SPECIFICATION: AS-95001
 - 4- PACKAGING SPECIFICATION: PK-95122 SHEET 2 (BLISTER ON REEL)
 - 5- P.C.B THICKNESS: 1.57/0.62
 - 6- COPLANARITY OF SIGNAL LEADS: 0.10 MAX
- TECHNICAL SPECIFICATIONS:**
- MATERIAL:**
- HOUSING: POLYAMIDE GLASS FILLED UL 94V-0
COLOUR BLACK
- TERMINAL: PHOSPHOR BRONZE PLATED WITH:
0.00127/.000050 MIN GOLD IN CONTACT AREA,
0.00190/.000075 MIN PURE TIN IN TAIL
AREA, BOTH OVER 0.00127/.000050 MIN NICKEL
OVERALL.
- SHIELD: BRASS PLATED WITH 0.0020/.000078 MIN TIN.



MODIFIED VIEWS EC NO: E2006-0826 2006/04/06 DRWN:DBYRNES 2006/04/06 CHKD: 2006/04/11 APPR:EDMANNONY 2006/04/11	QUALITY SYMBOLS	GENERAL TOLERANCES (UNLESS SPECIFIED)	DIMENSION STYLE	SCALE	DESIGN UNITS	THIRD ANGLE PROJECTION															
	$\nabla=0$ $\triangle=0$	<table border="1"> <thead> <tr> <th></th> <th>mm</th> <th>INCH</th> </tr> </thead> <tbody> <tr> <td>4 PLACES</td> <td>± ---</td> <td>± ---</td> </tr> <tr> <td>3 PLACES</td> <td>± ---</td> <td>± .010</td> </tr> <tr> <td>2 PLACES</td> <td>± 0.25</td> <td>± .014</td> </tr> <tr> <td>1 PLACE</td> <td>± 0.35</td> <td>± ---</td> </tr> </tbody> </table>		mm	INCH	4 PLACES	± ---	± ---	3 PLACES	± ---	± .010	2 PLACES	± 0.25	± .014	1 PLACE	± 0.35	± ---	MM/IN	4:1	METRIC	
		mm	INCH																		
	4 PLACES	± ---	± ---																		
3 PLACES	± ---	± .010																			
2 PLACES	± 0.25	± .014																			
1 PLACE	± 0.35	± ---																			
	ANGULAR ± 2 °																				
	DRAFT WHERE APPLICABLE MUST REMAIN WITHIN DIMENSIONS																				