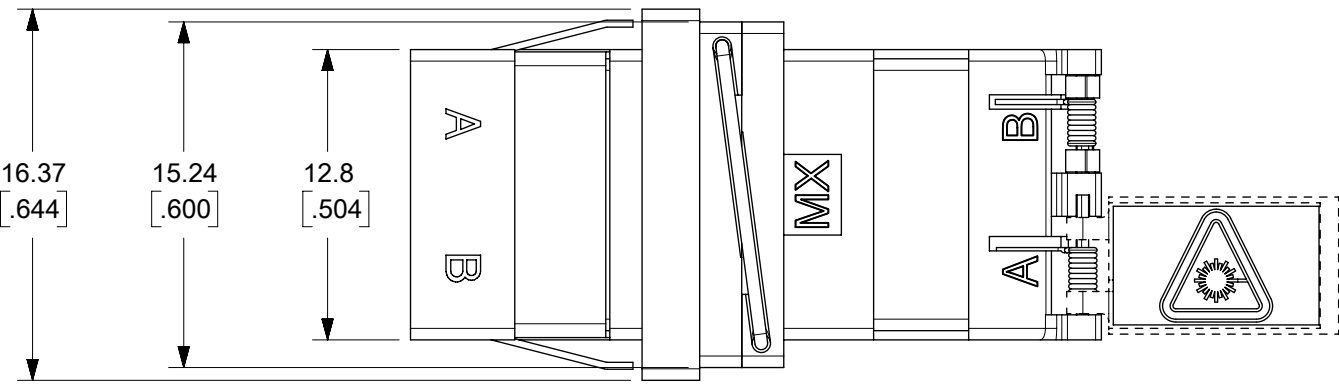
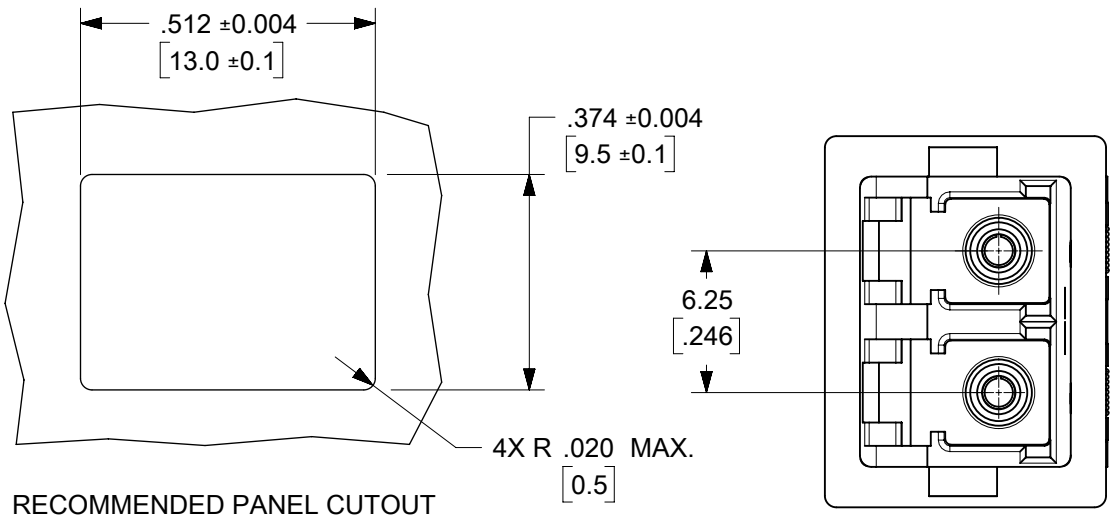
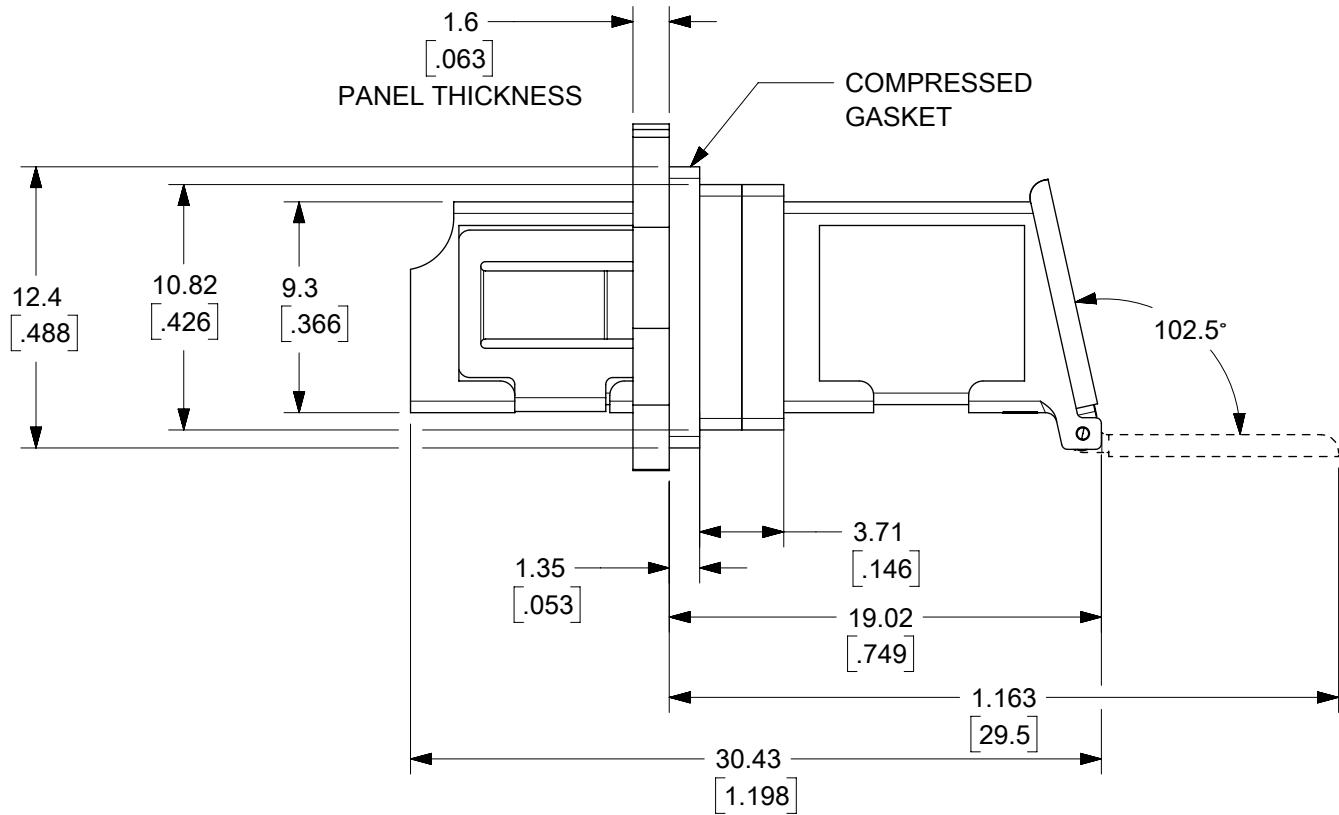
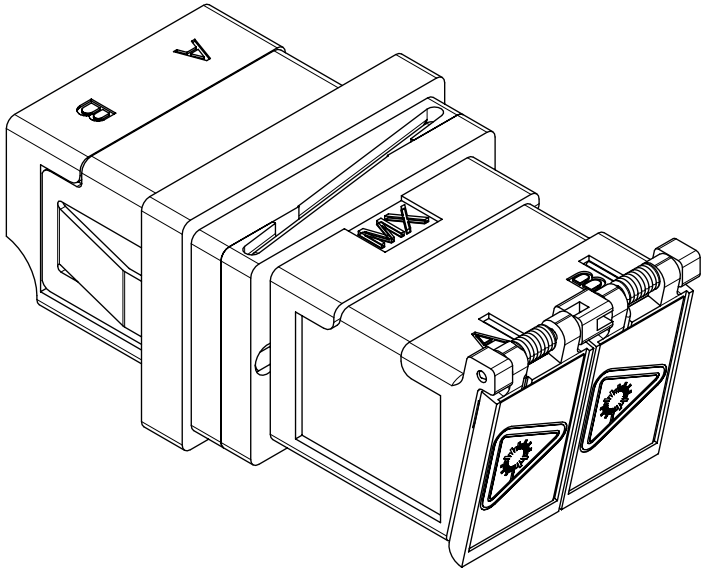


ADAPTER P/N	SPLIT SLEEVE MATERIAL	EMI GASKET MATERIAL
1061152110	Zr	FABRIC OVER FOAM
1061152116	Ph.Bronze	FABRIC OVER FOAM
1061152117	Zr	SOLID



- NOTES:
1. ALL DIMENSIONS ARE FOR REFERENCE ONLY
 2. CONDUCTIVE FABRIC OVER FOAM GASKET IS SUPPLIED WITH PART.
 3. PART IS DIECAST.
 4. DUST CAPS NOT SHOWN.
 5. ADAPTERS TO BE PACKED IN TRAY

THIS DRAWING CONTAINS INFORMATION THAT IS PROPRIETARY TO MOLEX ELECTRONIC TECHNOLOGIES, LLC AND SHOULD NOT BE USED WITHOUT WRITTEN PERMISSION									
FUNCTIONAL SYMBOLS	DIMENSION UNITS	SCALE	CURRENT REV DESC:						
$\nabla/A = 0$	INCH/MM	3:1	molex LC-D EMI ADAPTER, (SNAP MOUNT, W/SHUTTERS) PRODUCT CUSTOMER DRAWING						
$\nabla/E = 0$	GENERAL TOLERANCES (UNLESS SPECIFIED)								
$\nabla/F = 0$	ANGULAR TOL ± 0.5°								
DIVISIONAL SYMBOLS	4 PLACES ±	3 PLACES ±	EC NO: 703247	2022/04/06	DOCUMENT NUMBER: SD-106115-211X DOC TYPE: PSD DOC PART: 001 REVISION: C				
	2 PLACES ±	1 PLACE ±	DRWN: RHA02	2022/04/15					
	1 PLACE ±	0 PLACES ±	CHKD: WCHEN	2022/04/15	MATERIAL NUMBER: 106115 CUSTOMER: GENERAL MARKET SHEET NUMBER: 1 OF 1				
	DRAFT WHERE APPLICABLE MUST REMAIN WITHIN DIMENSIONS		APPR: WCHEN	2022/04/15					
	THIRD ANGLE PROJECTION		INITIAL REVISION:	2006/01/09	SERIES: B-SIZE MATERIAL NUMBER: 106115 CUSTOMER: GENERAL MARKET SHEET NUMBER: 1 OF 1				
	DRAWING		DRWN: PGIBLIN	2006/01/09					