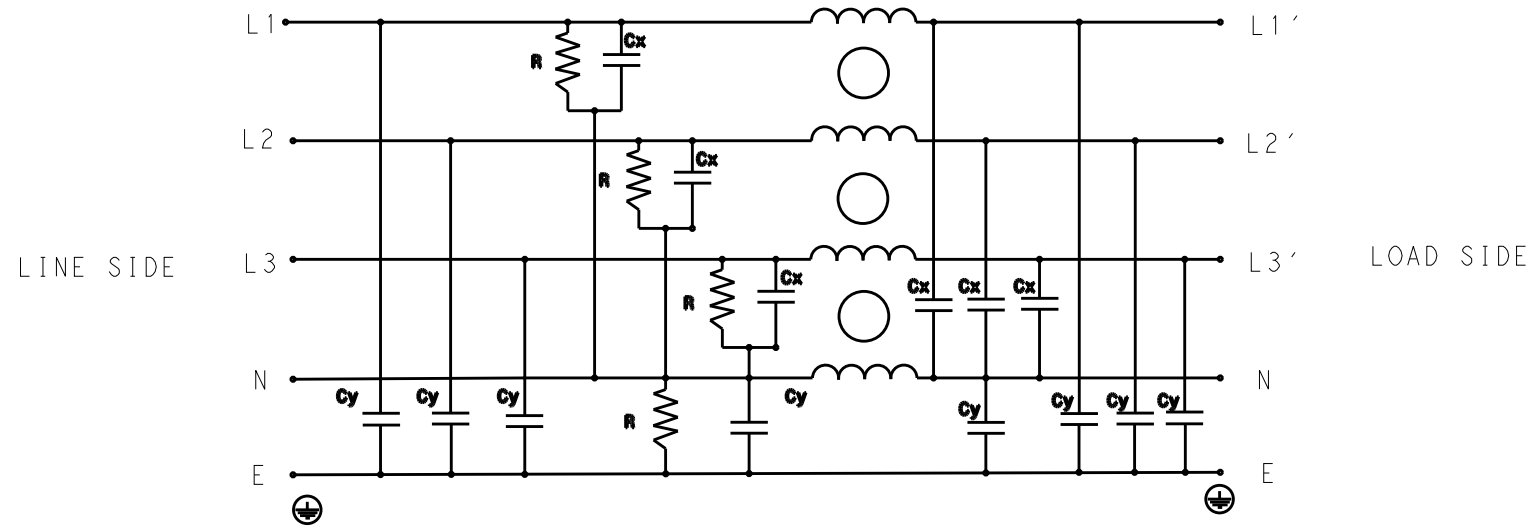


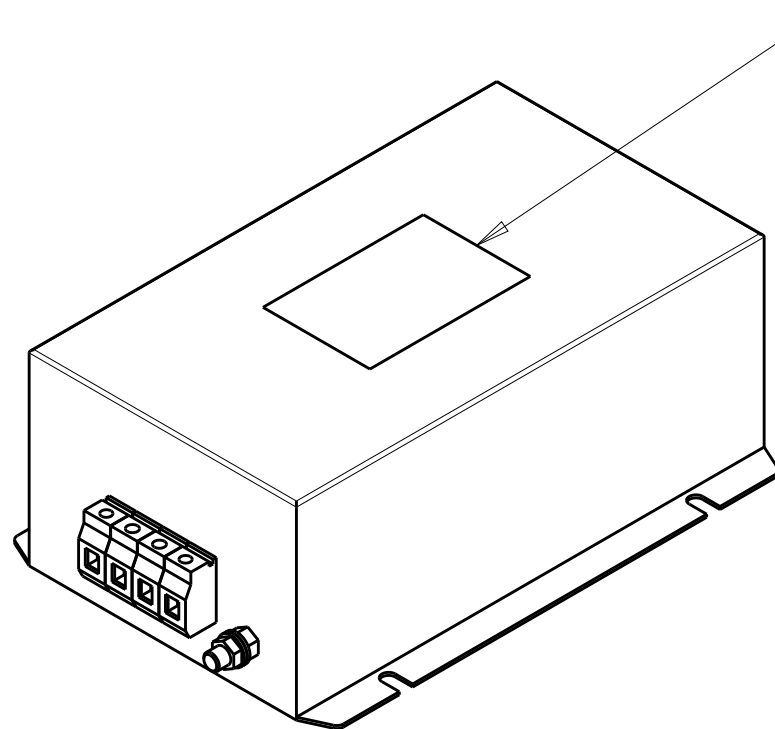
P	LTR	DESCRIPTION	DATE	DWN	APVD
	B	INITIAL RELEASE	07JUL2020	SB	LI



SCHEMATIC

TYPICAL INSERTION LOSS  
COMMON MODE 50/50Ω; DIFFERENTIAL MODE 50/50Ω

MHz	0.01	0.05	0.15	0.5	1	3	5	10	30
CM	60	60	59	54	50	42	37	32	26
DM	30	31	40	54	46	38	33	29	24



LABEL TO TE MARKING SPECIFICATION

SAFETY ORGANIZATIONS

THIS FILTER WILL BE FORMALLY RECOGNIZED, CERTIFIED OR APPROVED BY THE LISTED AGENCY. THEREFORE, ALL TEST/REQUIREMENTS SPECIFIED IN THE LATEST REVISION OF THE FOLLOWING AGENCY STANDARDS WILL BE MET:

UL RECOGNIZED\* 10A 440V 50Hz/60Hz 40°C  
 CSA CERTIFIED\*\* 10A 440V 50Hz/60Hz 40°C  
 \*31 JULY 2020 ; \*\*31 AUGUST 2020

OPERATING SPECIFICATION

LINE CURRENT/VOLTAGE: 10A, 440VAC  
 LINE FREQUENCY: 50/60Hz

MAXIMUM LEAKAGE CURRENT: 8.5mA @ 230VAC, 50Hz

OPERATING AMBIENT TEMPERATURE RANGE @ RATED CURRENT: -25°C TO +40°C

IN AN AMBIENT, T<sub>a</sub>, HIGHER THAN 40°C, THE MAXIMUM OPERATING CURRENT, I<sub>o</sub>, IS AS FOLLOWS:

$$I_o = I_r \sqrt{\frac{85 - T_a}{45}}$$

RELIABILITY SPECIFICATIONS

STORAGE TEMPERATURE: -40°C TO +85°C  
 HUMIDITY: 21 DAYS @ 40°C AND 95% RH

TEST SPECIFICATIONS

INDUCTANCE, NOMINAL: 7.5mH

CAPACITANCE @ 1kHz

LINE TO GROUND, NOMINAL: 1.1μF  
 NEUTRAL TO GROUND, NOMINAL: 2.2μF  
 LINE TO NEUTRAL, NOMINAL: 2μF

DISCHARGE RESISTOR

L/L I.R. 2MΩ 1W  
 L/N I.R. 1MΩ 1W  
 L/G I.R. 2MΩ 1W  
 N/G I.R. 1MΩ 1W  
 IR (NO DISCHARGE RESISTOR) 20°C, 50% RH AND 100VDC, MIN: 6MΩ

RECOMMENDED RECEIVING INSPECITON HIPOT

LINE TO GROUND FOR 1 MINUTE: 2632VDC  
 LINE TO LINE FOR 1 MINUTE: 1892VDC  
 LINE TO NEUTRAL FOR 1 MINUTE: 1093VDC

FILTER APPROVAL

THE BEST WAY TO SELECT AND QUALIFY A FILTER IS FOR YOUR ENGINEERING TO TEST THE UNIT IN YOUR EQUIPMENT.

THIS DRAWING IS A CONTROLLED DOCUMENT.		DWN 28FEB2020 SHRICHARANA B	TE Connectivity	
DIMENSIONS: mm		CHK 28FEB2020 LEO IRUDHAYARAJ		
TOLERANCES UNLESS OTHERWISE SPECIFIED:		APVD 28FEB2020 LEO IRUDHAYARAJ	NAME POWER LINE FILTER 10KEPS10AFPW	
0 PLC ±- 1 PLC ±0.5 2 PLC ±0.40 3 PLC ±0.130 4 PLC ±0.0500 ANGLES ±-		PRODUCT SPEC -	RESTRICTED TO -	
MATERIAL -		APPLICATION SPEC -	SIZE A300779	DRAWING NO C-1-1609968-2
FINISH -		WEIGHT -	SCALE 1:2 SHEET 1 OF 2 REV B	
-		CUSTOMER DRAWING		

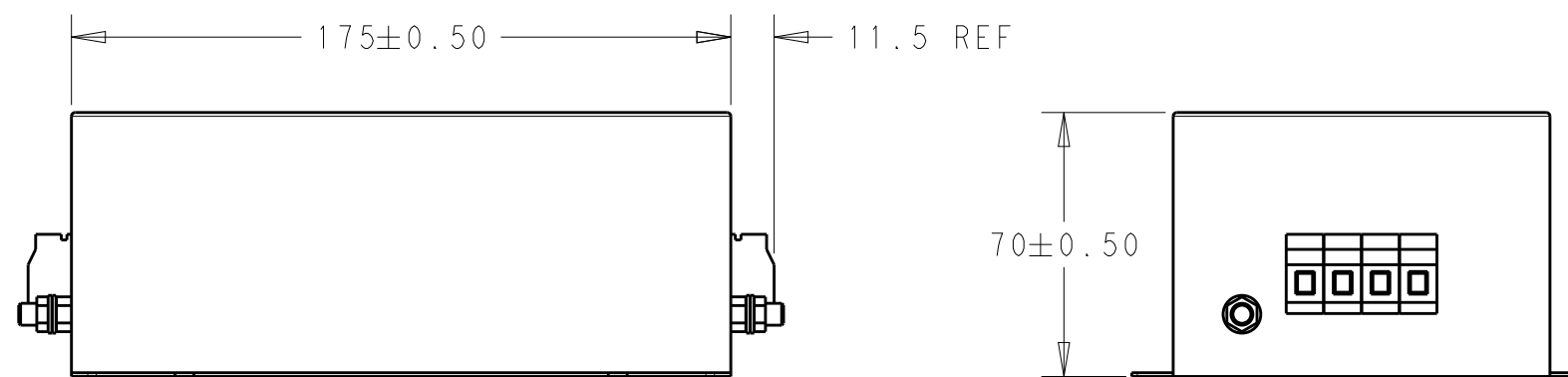
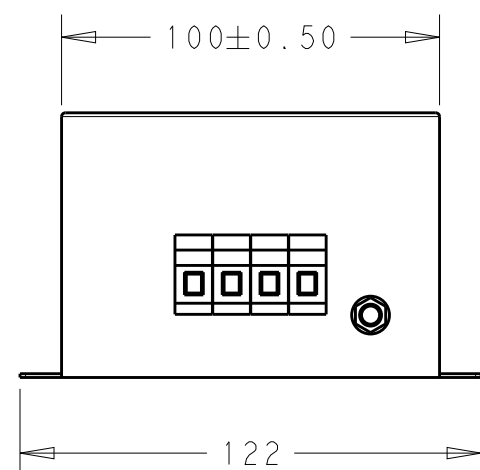
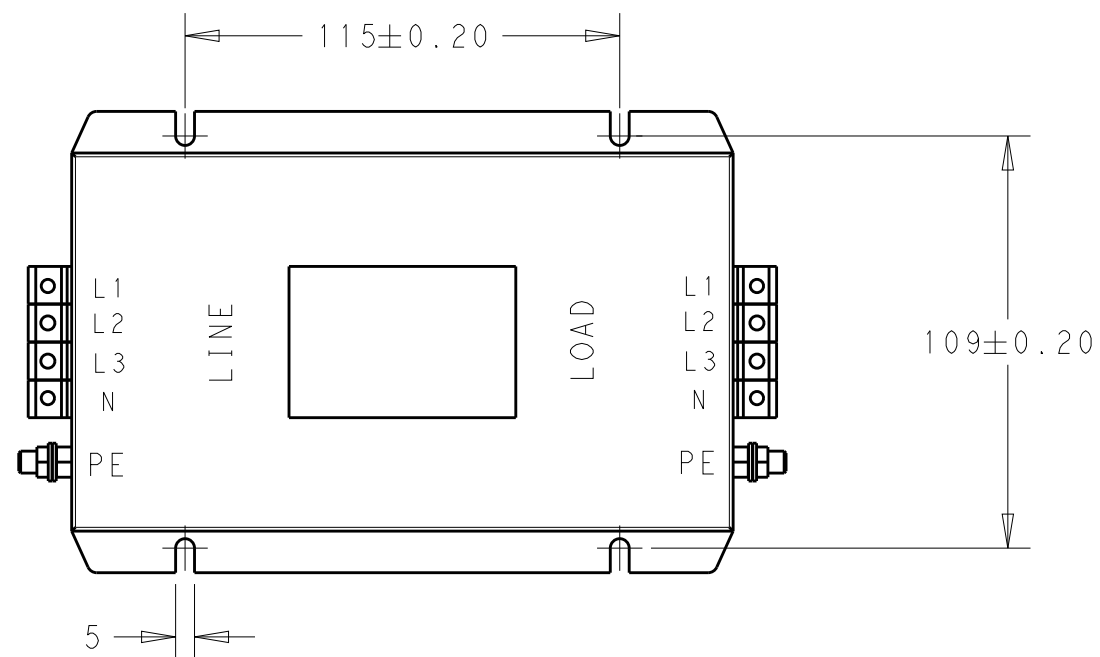
© 2020 TE Connectivity. All Rights Reserved.

NOTE 1 GROUND CONNECTION:  
 DO NOT LOOSEN INNER GROUND NUTS.  
 TORQUE OUTER TERMINAL SCREWS: 0.5Nm / 4.5 in.lbs  
 TORQUE GROUND NUTS: 2.5-3Nm

NOTE 2 INPUT OUTPUT CONNECTION TERMINAL  
 AWG SIZE: 26-12 AWG  
 WIRE SECTION: 4 mm<sup>2</sup>  
 THREADED BOLT SIZE FOR GROUND: M6

REVISIONS

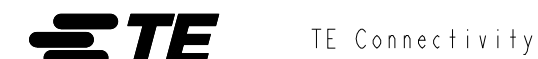
P	LTR	DESCRIPTION	DATE	DWN	APVD
		SEE SHEET 1			



THIS DRAWING IS A CONTROLLED DOCUMENT.

DIMENSIONS: mm	TOLERANCES UNLESS OTHERWISE SPECIFIED:
	0 PLC ±-
	1 PLC ±0.5
	2 PLC ±0.40
	3 PLC ±0.130
	4 PLC ±0.0500
	ANGLES ±-
MATERIAL	FINISH
-	-
-	-

DWN	28FEB2020
SHRICHARANA B	
CHK	28FEB2020
LEO IRUDHAYARAJ	
APVD	28FEB2020
LEO IRUDHAYARAJ	
PRODUCT SPEC	-
APPLICATION SPEC	-
WEIGHT	-
CUSTOMER DRAWING	



NAME POWER LINE FILTER 10KEPS10AFPW			
SIZE	CAGE CODE	DRAWING NO	RESTRICTED TO
A3	00779	C-1-1609968-2	-
SCALE 1:2		SHEET 2 OF 2	REV B