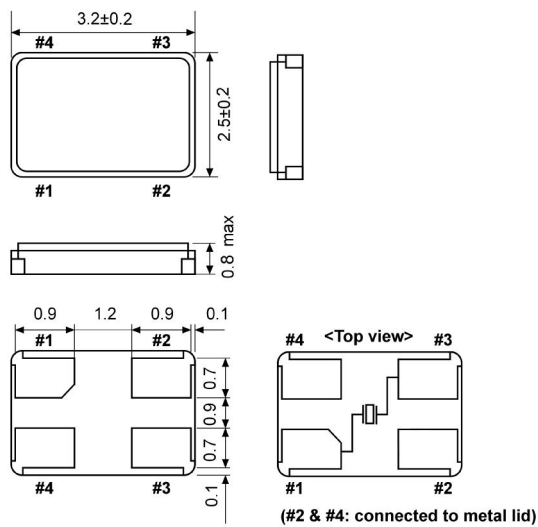


## Quartz Crystal

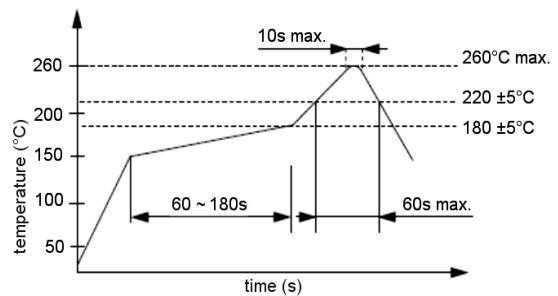
SMD-version

part no.	12.60208
model	KX – 7T
frequency	26.0 MHz
mode	fundamental
operating temperature	-40° ~ +85°C
storage temperature	-40° ~ +125°C
frequency tolerance at +25°C	±10 ppm
temperature tolerance	±20 ppm
load capacitance $C_L$	8 pF
series resistance R1 max.	60 Ohm
aging at +25°C (first year) max.	±2 ppm
shunt capacitance $C_O$ max.	3.5 pF
drive level max.	200 µW
AEC-Q200	yes
TPMS	yes
contents of reel	1000 pcs.

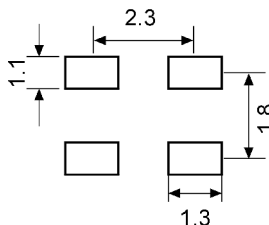
### Dimensions (mm):



### Reflow soldering condition:



### Suggested soldering pad:



### Tape specification:

