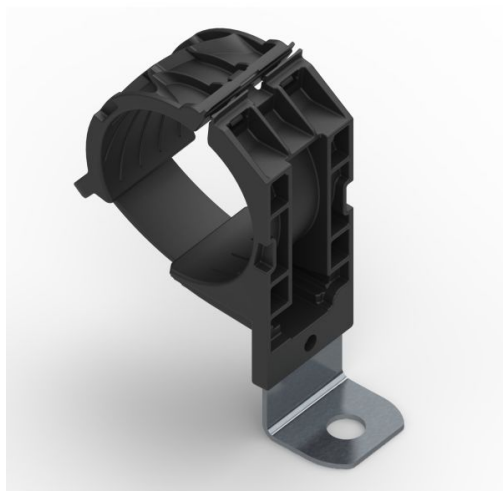


## Specification Sheet

Part Number: 151-02035



Ratchet P-Clamp, 1.38" - 2.01" Bundle Dia, 90° Short, .51" Hole Dia, PA66HIRHSUV/SS304, Black, 160/ctn

**Article Number**

151-02035

**Type**

RCD90SM12SS

**Color**

Black (BK)

**Features & Benefits**

- One-piece ratchet closure design allows for easy installation during pre- or final assembly.
- Four sizes and multiple configurations handle a wide range of diameters and applications, reducing part inventory.
- Clamp interior is designed to guide and center bundle to reduce pinching.
- Easy release feature allows for quick adjustments and maintenance.
- Stainless steel mounting plate tolerates high torque mounting, resists galvanic corrosion with dissimilar metals, and harsh chemicals.

**Quantity Per**

carton

**Product Description**

The Ratchet P-Clamp family offers versatility when managing wires, cables and hoses. The robust design and durable materials make it ideal for heavy duty applications, both indoors and out. The one-piece adjustable clamp can be closed by hand to the desired diameter. The release feature provides easy and nondestructive removal of cables simply by using a flat-head screwdriver. This nondestructive release allows the clamp to be reused without removing or replacing any bolts or screws. The Ratchet P-Clamp is offered in four sizes and multiple mounting configurations.

**Short Description**

Ratchet P-Clamp, 1.38" - 2.01" Bundle Dia, 90° Short, .51" Hole Dia, PA66HIRHSUV/SS304, Black, 160/ctn

**Global Part Name**

RCD90SM12SS-PA66HIRHSUV/SS304-BK

**Minimum Tensile Strength (Imperial)**

100.0

**Minimum Tensile Strength (Metric)**

445.0

**Length L (Imperial)**

6.58

**Length L (Metric)**

167.2

**Fixation Method**

Screw Mounting

**Variant**

Short

**Width W (Imperial)**

1.37

**Width W (Metric)**

34.9

**Bundle Diameter Min (Imperial)**

1.42

**Bundle Diameter Min (Metric)**

36.0

**Bundle Diameter Max (Imperial)**

2.0

<b>Bundle Diameter Max (Metric)</b>	51.0
<b>Cable Tie Width Max (Imperial)</b>	0.52
<b>Cable Tie Width Max (Metric)</b>	13.2
<b>Mounting Hole Diameter D (Imperial)</b>	0.510
<b>Mounting Hole Diameter D (Metric)</b>	12.95 mm
<b>Mounting Hole Diameter D Max (Metric)</b>	12.95
<b>Stud Diameter (Metric)</b>	M12
<b>Mounting Hole Centers (Imperial)</b>	1.67
<b>Material</b>	Stainless Steel (SS304) Polyamide 6.6 high impact modified, heat and UV stabilized (PA66HIRHSUV)
<b>Material Shortcut</b>	SS304 PA66HIRHSUV
<b>Flammability</b>	UL 94 HB
<b>UV Resistant (Yes/No)</b>	Yes
<b>Operating Temperature (Metric)</b>	-40°F to +257°F (-40°C to +125°C)
<b>ROHS Complaint</b>	Yes
<b>UL Listed (US and Canada)</b>	Yes

**UL Listed (US)**

Yes

**Package Quantity(Imperial)**

160

**Package Quantity (Metric)**

160

**Customs Number**

3926909988