

Panel mounting frames - VS-A-F-IP67 - 1653744

Please be informed that the data shown in this PDF Document is generated from our Online Catalog. Please find the complete data in the user's documentation. Our General Terms of Use for Downloads are valid (<http://phoenixcontact.com/download>)



Panel mounting frame, IP67, for Freenet system, for round panel cutout, with grommet, without mounting screws, color: gray

Key Commercial Data

Packing unit	5 pc
GTIN	
GTIN	4017918970123

Technical data

Mechanical characteristics

Number of slots	1
Insertion/withdrawal cycles	≥ 1000
Color	gray
Degree of protection	IP67
Type	RJ45, IP67, version 6

Ambient conditions

Ambient temperature (operation)	-40 °C ... 80 °C
---------------------------------	------------------

Material data

Flammability rating according to UL 94	V0
Housing material	PA
Material	Plastic
Sealing material	NBR
Seal material	NBR
Depth	27.5 mm
Height	36 mm

Standards and Regulations

Panel mounting frames - VS-A-F-IP67 - 1653744

Technical data

Standards and Regulations

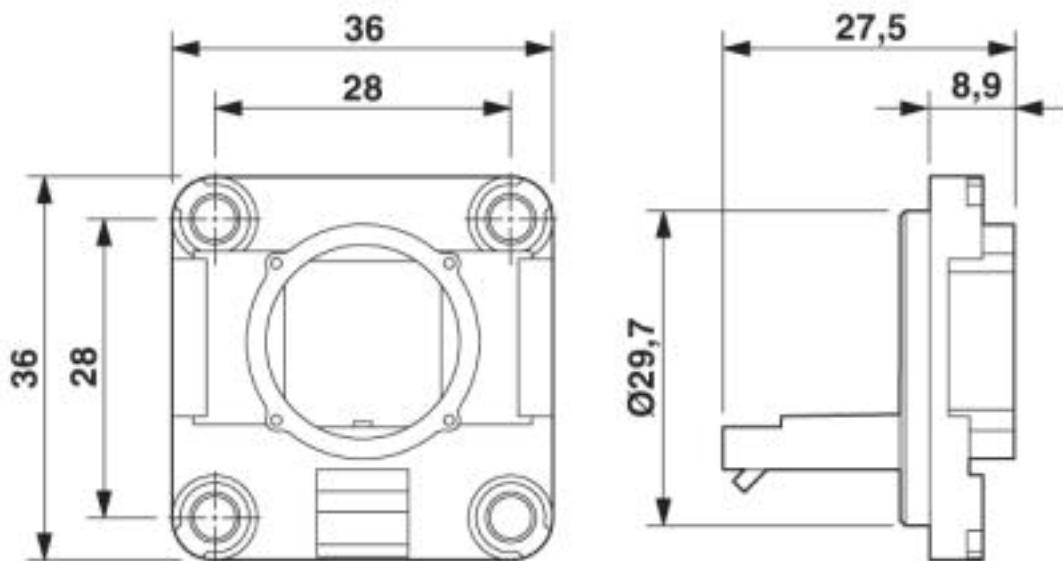
Flammability rating according to UL 94	V0
--	----

Environmental Product Compliance

China RoHS	Environmentally friendly use period: unlimited = EFUP-e
	No hazardous substances above threshold values

Drawings

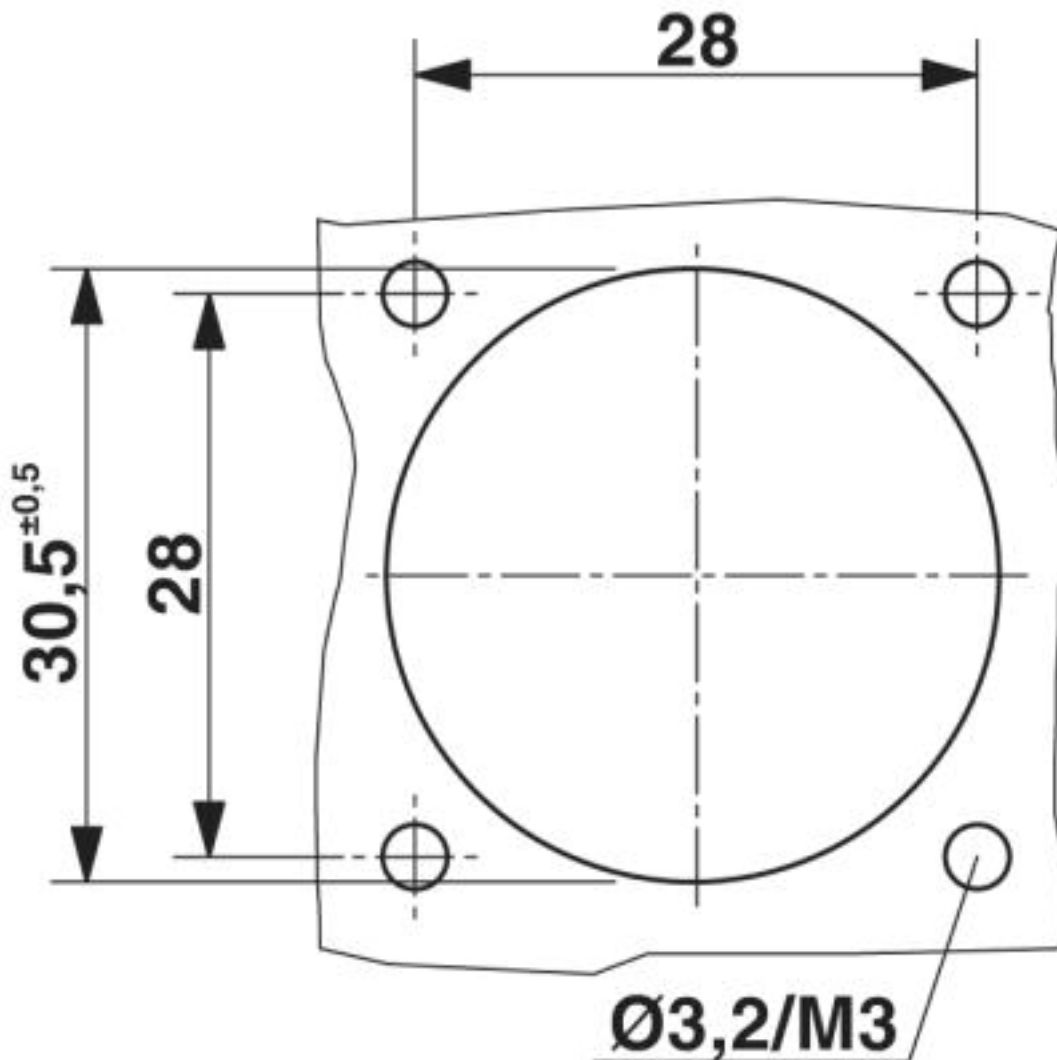
Dimensional drawing



Panel mounting frame for Freenet system

Panel mounting frames - VS-A-F-IP67 - 1653744

Dimensional drawing



Mounting cutout

Approvals

Approvals

Approvals

EAC

Ex Approvals

Approval details

Panel mounting frames - VS-A-F-IP67 - 1653744

Approvals

EAC



B.01742

Phoenix Contact 2019 © - all rights reserved
<http://www.phoenixcontact.com>

PHOENIX CONTACT GmbH & Co. KG
Flachsmarktstr. 8
32825 Blomberg
Germany
Tel. +49 5235 300
Fax +49 5235 3 41200
<http://www.phoenixcontact.com>