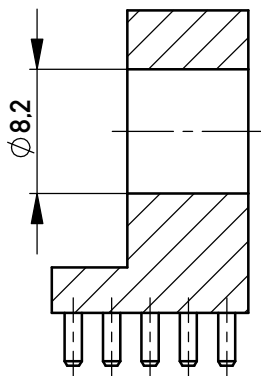
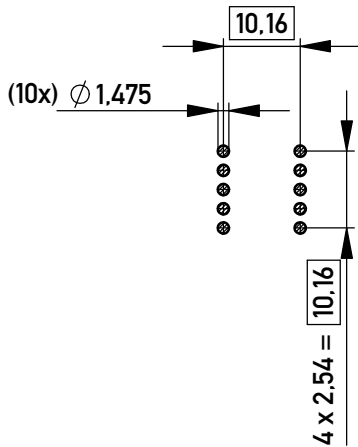


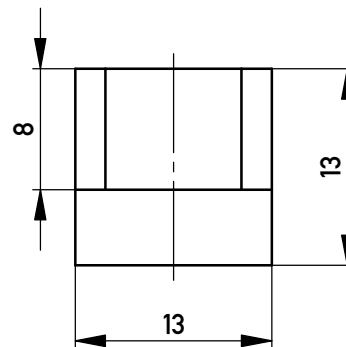
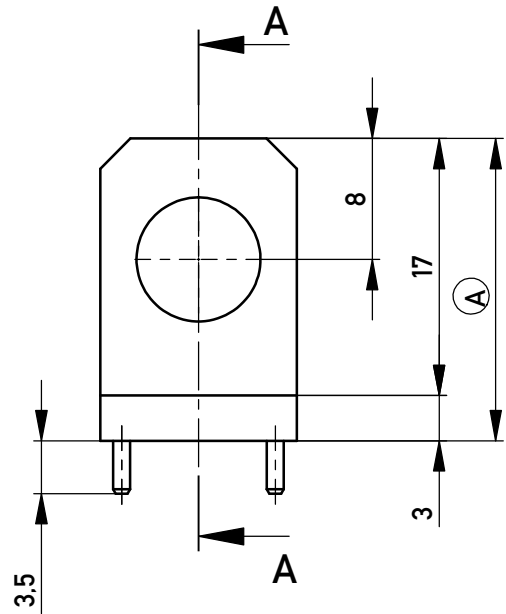
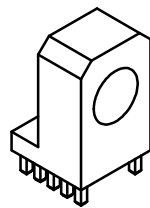
Schnitt A-A  
cross section A-A



Layout - Vorschlag  
PCB - Layout proposal  
M / scale 1:1

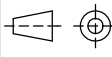



M / scale 1:1



2-6 $\mu$ m Sn matt über 2-4 $\mu$ m Cu  
2-6 $\mu$ m sn matt over 2-4 $\mu$ m cu

Ⓐ Oberfläche / plating

Information:	Tolerances	 All Dimensions in mm	Scale	2:1
			Material:	CuZn39Pb3
All rights reserved. Only for Information. To ensure that this is the latest version of this drawing, please contact one of the ERNI companies before using.	Subject to modification without prior notice. Drawing will not be updated.		Designation	
			<b>PowerElement angled</b> <i>two row population d 8,2</i>	
b	21.02.2018	www.ERNI.com	<b>225721</b>	
Index	Date			
			I <b>A4</b>	

Copyright by ERNI Production GmbH & Co. KG  
 Proprietary notice pursuant to ISO 16016 to be observed.