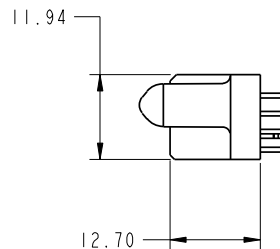
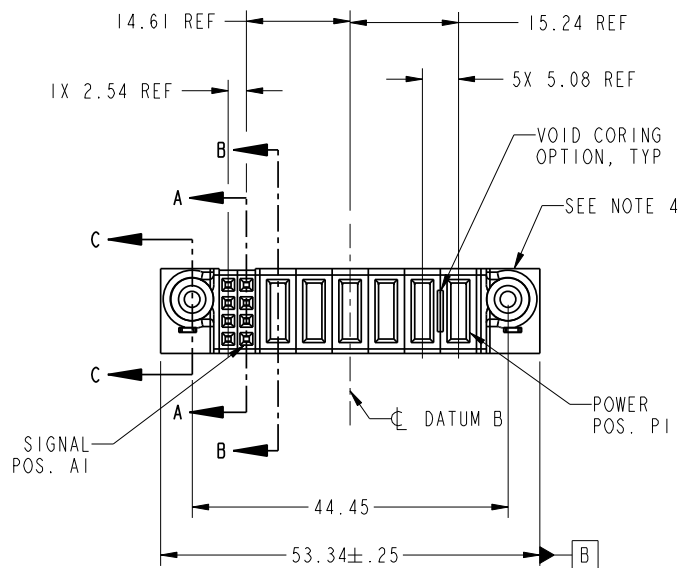


Tous droits strictement réservés. Reproduction ou communication a des tiers interdite sous quelque forme que ce soit sans autorisation écrite du propriétaire. Propriété de c FCI. Droits de reproduction FCI.



All rights strictly reserved. Reproduction or issue to third parties in any form whatever is not permitted without written authority from the proprietor. Property of FCI. Copyright FCI.

PRODUCT NO.	ROW S	S POWER								E1	
		E2	2	1	P6	P5	P4	P3	P2		P1
51940-217-- NOTE: 3	D C A										



CODE	DIM "M" MATING LENGTH	CONTACT TYPE
E	[N/A]	SIGNAL
PA	[1.07]	POWER
HA	[N/A]	HOLD-DOWN

mat'l code				SEE NOTES		tolerances unless otherwise specified		CUSTOMER		FCI	
lfr	ecn no.	dr	date	linear	0.X ± 0.3	projection		COPY		www.fciconnect.com	
A	DG07-0135	RYAN	03/07/07	angles	0.XX ± 0.13	MM		title		6P + 8S	
				dr	0.XXX ± 0.051	scale		product family		PwrBlade	
				engr	0° ± 2°	1:1		size		code	
				chr	RYAN YUAN 03/07/07			dwg no		213	
				appd	GARY HSIEH 03/07/07			51940-217		sheet	
					JOSEPH HSIA 03/07/07			A		1 of 4	
sheet index	revision	A	A	A	A						
	sheet	1	2	3	4						

cage code 22526

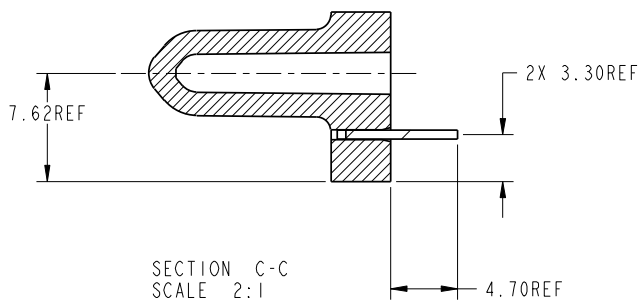
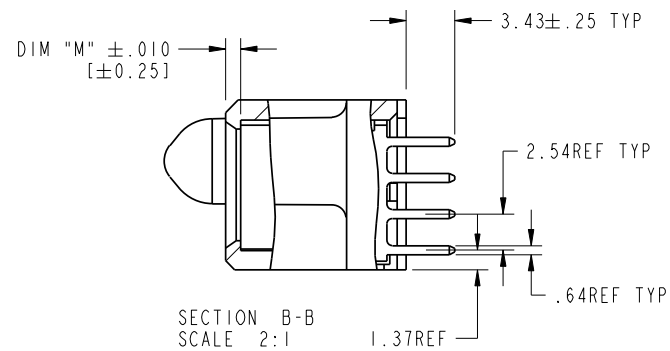
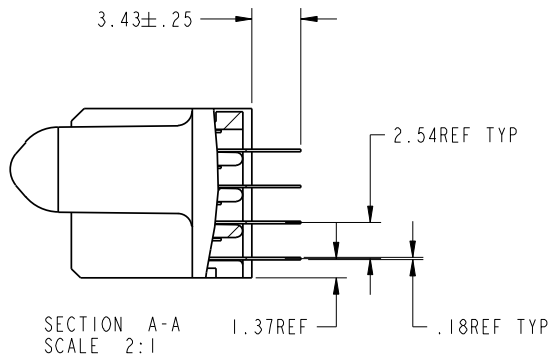
Pro/E

Tous droits strictement reserves. Reproduction ou communication a des tiers interdite sous quelque forme que ce soit sans autorisation ecrite du proprietaire. Propriete de c FCI. Droits de reproduction FCI.



All rights strictly reserved. Reproduction or issue to third parties in any form whatever is not permitted without written authority from the proprietor. Property of FCI. Copyright FCI.

PRODUCT NUMBER
51940-217--
NOTE: 3



mat'l code				tolerances unless otherwise specified		CUSTOMER		FCI	
lfr	ecr no.	dr	date	linear	0.X ± 0.3	COPY		www.fciconnect.com	
A					0.XX ± 0.13	projection		title	
				angles	0.XXX ± 0.051			6P + 8S VERTICAL STB RECEPT	
				dr	RYAN YUAN 03/07/07			product family PwrBlade	
				enr	RYAN YUAN 03/07/07	scale		size	
				chr	GARY HSIEH 03/07/07	1:1		dwg no	
				appd	JOSEPH HSIA 03/07/07			A 51940-217	
sheet index	revision sheet								code
									213
									sheet
									2 of 4

cage code 22526

Pro/E

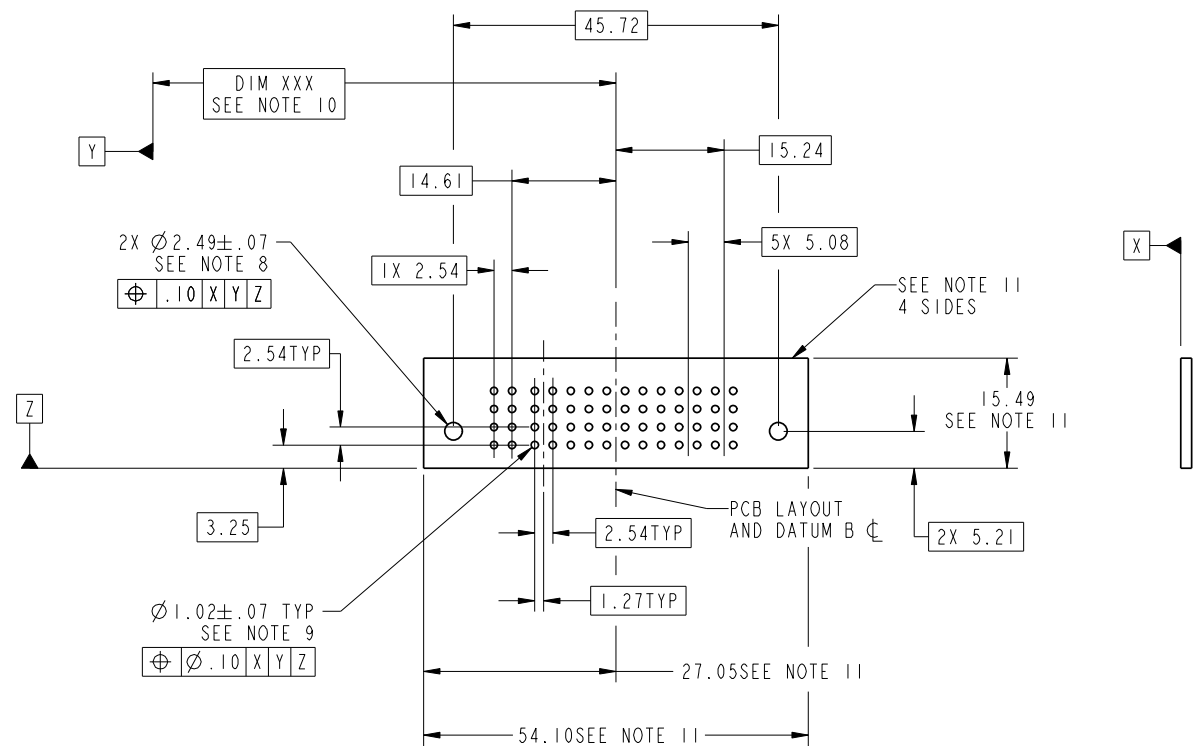
Tous droits strictement reserves. Reproduction ou communication a des tiers interdite sous quelque forme que ce soit sans autorisation écrite du propriétaire. Propriete de c FCI. Droits de reproduction FCI.



All rights strictly reserved. Reproduction or issue to third parties in any form whatever is not permitted without written authority from the proprietor. Property of FCI. Copyright FCI.

PRODUCT NUMBER
51940-217--
NOTE: 3

1 | 2 | 3 | 4



A

A

B

B

mat'l code				tolerances unless otherwise specified		CUSTOMER		FCI	
lfr	ecn no.	dr	date	linear	0.X ± 0.3	COPY		www.fciconnect.com	
A					0.XX ± 0.13	projection		title	
				angles	0.XXX ± 0.051			6P + 8S VERTICAL STB RECEPT	
				dr	RYAN YUAN 03/07/07	MM		product family PwrBlade	
				enrg	RYAN YUAN 03/07/07			code 213	
				chr	GARY HSIEH 03/07/07	scale 1:1		size	
				appd	JOSEPH HSIA 03/07/07			dwg no 51940-217	
sheet index		revision sheet						sheet 3 of 4	

1 | 2 | Pro/E | 3 | cage code 22526 | 4

Tous droits strictement reserves. Reproduction ou communication a des tiers interdite sous quelque forme que ce soit sans autorisation écrite du propriétaire. Propriete de c FCI. Droits de reproduction FCI.



All rights strictly reserved. Reproduction or issue to third parties in any form whatever is not permitted without written authority from the proprietor. Property of FCI. Copyright FCI.

1 | 2

3 |

4

PRODUCT NUMBER

51940-217__
NOTE: 3

NOTES:

1. DIMENSIONS AND TOLERANCES ARE IN ACCORDANCE WITH ASME Y14.5M, 1994 UNLESS OTHERWISE SPECIFIED.

CONNECTOR NOTES:

② HOUSING MATERIAL: UL 94 V-0 GLASS FILLED
HIGH-TEMP THERMOPLASTIC
POWER CONTACT MATERIAL: COPPER ALLOY
SIGNAL PIN MATERIAL: COPPER ALLOY

3. PLATING SPEC.
51940-217,51940-217LF PLATING SPEC. WAS SHOWN IN THE PRINT OF 10064183.

④ MANUFACTURER'S NAME, P/N, AND DATE CODE TO APPEAR ON THIS SURFACE.

5. PRODUCT SPECIFICATION GS-12-149.
APPLICATION SPECIFICATION BUS-20-067.

6. PACKAGED IN TRAYS.

PCB NOTES:

7. ALL HOLE DIAMETERS ARE FINISHED HOLE SIZE.

⑧ MOUNTING HOLES, WHERE APPLICABLE, ARE UNPLATED.

⑨ $\varnothing 1.151 \pm 0.025$ DRILLED HOLES PLATED WITH
0.008 MIN SnPb OR Sn OVER 0.03
TO 0.08 Cu PLATING TO ACHIEVE
 $\varnothing 1.02 \pm .07$ HOLE.

⑩ "DIM XXX" TO BE DETERMINED BY THE CUSTOMER.

⑪ CONNECTOR KEEP-OUT ZONE.

A

A

B

B

mat'l code				tolerances unless otherwise specified		CUSTOMER			
lfr	ecr no.	dr	date	linear	0.X ± 0.3	COPY		www.fciconnect.com	
A				linear	0.XX ± 0.13	projection	title		
				angles	0.XXX ± 0.051		6P + 8S		
				dr	0° ± 2°		product family		code
				enrg	RYAN YUAN 03/07/07	scale	PwrBlade	213	
				chr	GARY HSIEH 03/07/07	1:1	size	dwg no	sheet
				appd	JOSEPH HSIA 03/07/07		A	51940-217	4 of 4
sheet index	revision sheet								

1 | 2

3 |

4

Pro/E

cage code 22526