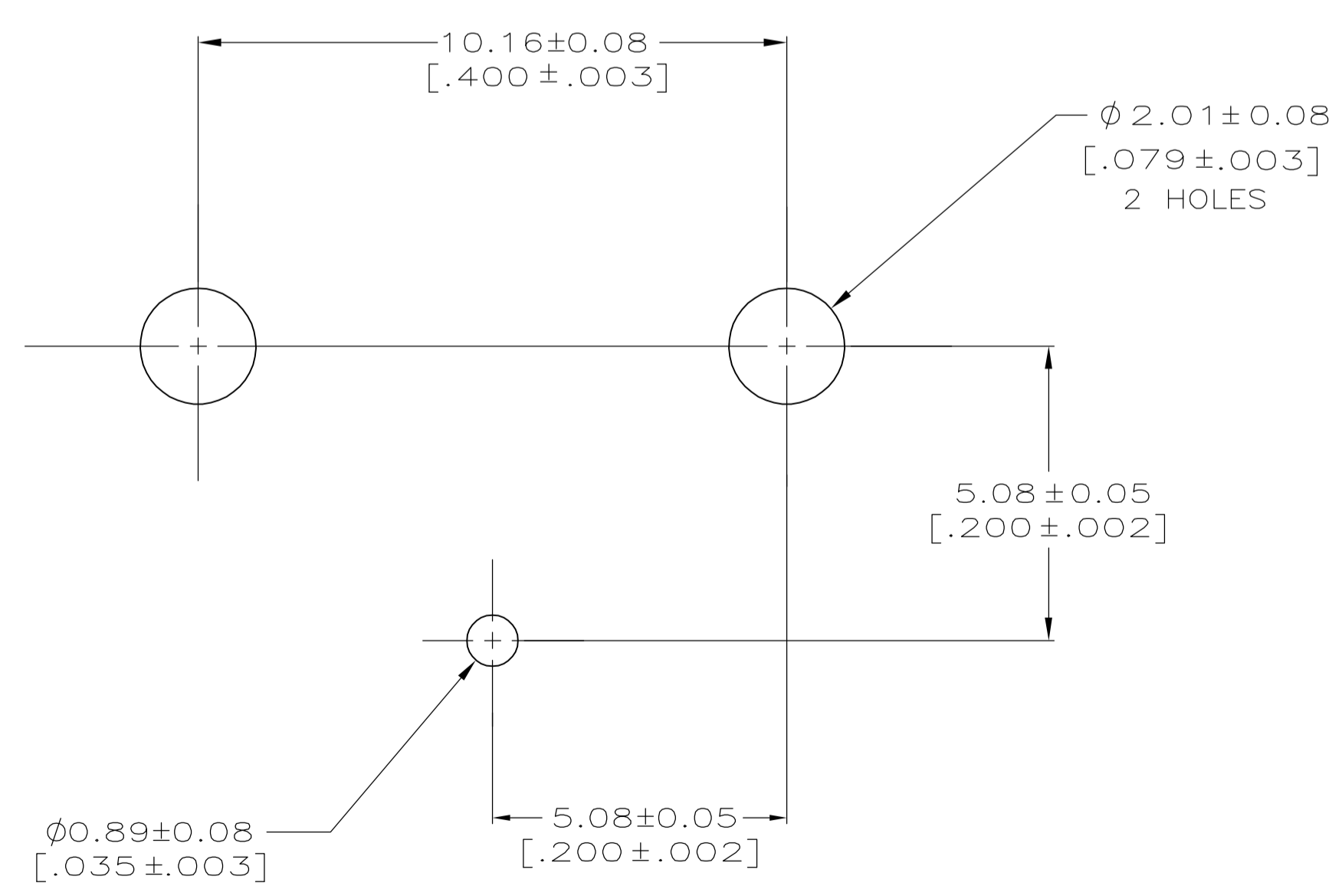
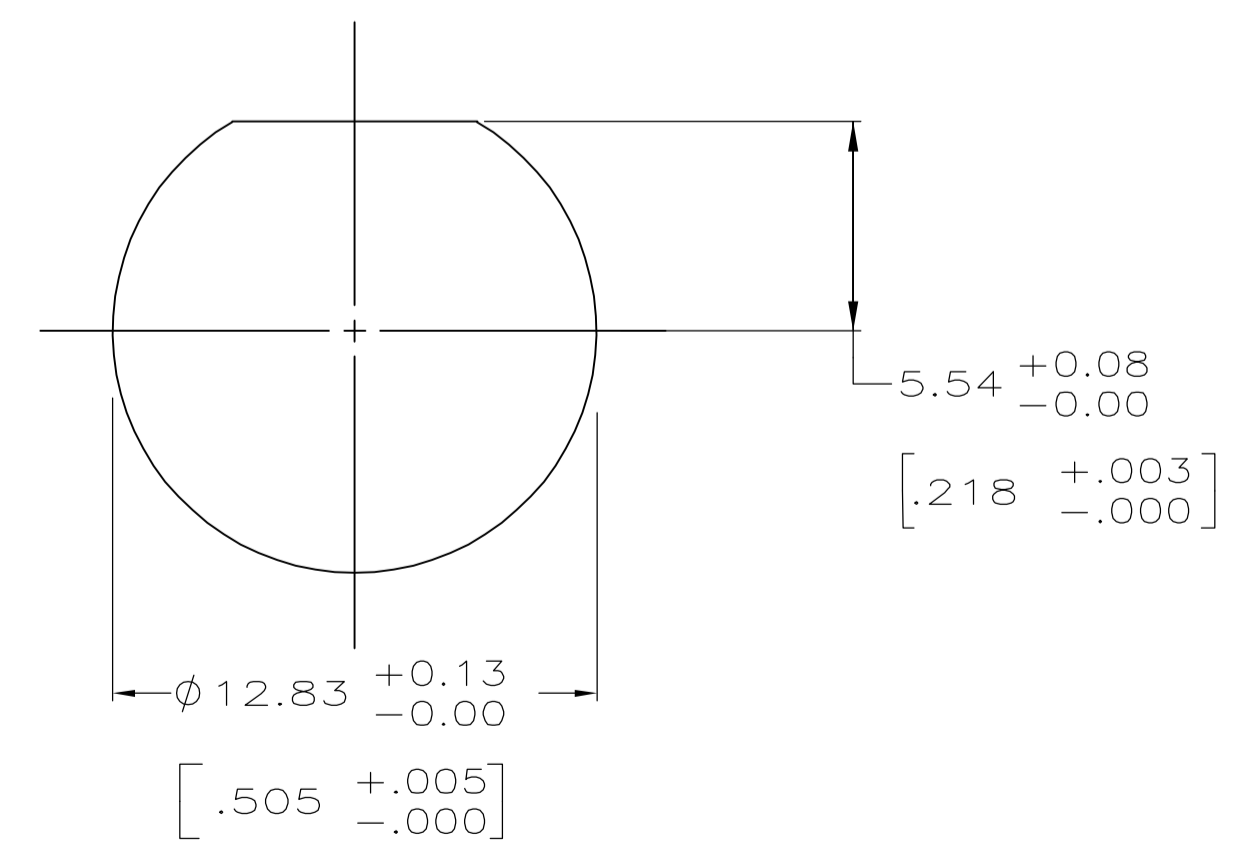


- 1 POLYESTER, PBT, BLACK, PER MIL-M-24519
- 2 POLYESTER, PBT, NATURAL, PER MIL-M-24519
- 3 ZINC PER QQ-Z-363
- 4 PHOSPHOR BRONZE PER QQ-B-750
- 5 TIN PLATE PER ASTM-B-545
- 6 GOLD PL PER MIL-G-45204
- 7 RESISTOR CHARACTERISTICS:
A. OHMS (SEE TABLE)
B. 5% TOLERANCE
C. 400mW POWER RATING
- 8 SELECTIVELY GOLD PLATED ON INTERFACE AREA PER: MIL-G-45204, .000030 THK, TIN PLATE ON SOLDER TAIL PER: ASTM-B-545, ALL OVER NICKEL PL PER: QQ-N-290
- 9. BOARD THICKNESS: .062 MAX



P.C.B. CONFIGURATION
SCALE=10:1



RECOMMENDED
PANEL CUTOUT

2.67±0.38 [0.105±0.015]	2.79 [0.110]	75 OHMS	5414367-2
C	B	RESISTOR	PART NUMBER

THIS DRAWING IS A CONTROLLED DOCUMENT.		DWN G. ATTADIA - 01FEB2005	 Tyco Electronics Corporation Harrisburg, Pa 17105-3608
DIMENSIONS: mm [INCHES]		CHK J. HAVENER - 01FEB2005	
TOLERANCES UNLESS OTHERWISE SPECIFIED:		APVD J. LIPPERT - 01FEB2005	NAME JACK, PCB, RIGHT ANGLE, SELF-TERMINATING BNC
0 PLC ± -	1 PLC ± -	PRODUCT SPEC	SIZE A1
2 PLC ± -	3 PLC ± 0.20 [0.008]	APPLICATION SPEC	CAGE CODE 00779
4 PLC ± -	ANGLES ± ± -	WEIGHT	DRAWING NO 5414367
MATERIAL	FINISH	CUSTOMER DRAWING	RESTRICTED TO
1 2 3 4	5 6 8	SCALE 5:1	SHEET 1 OF 1