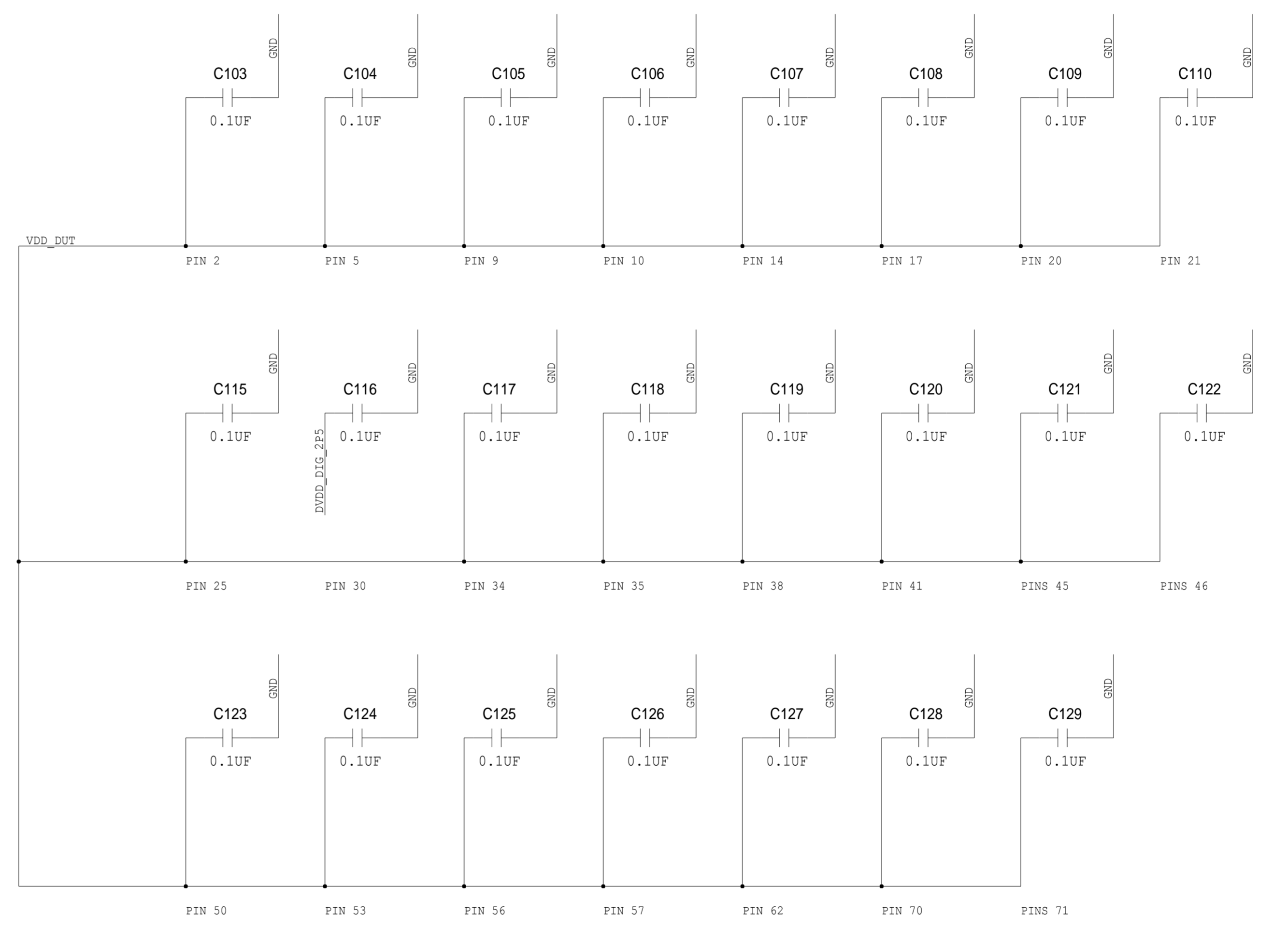
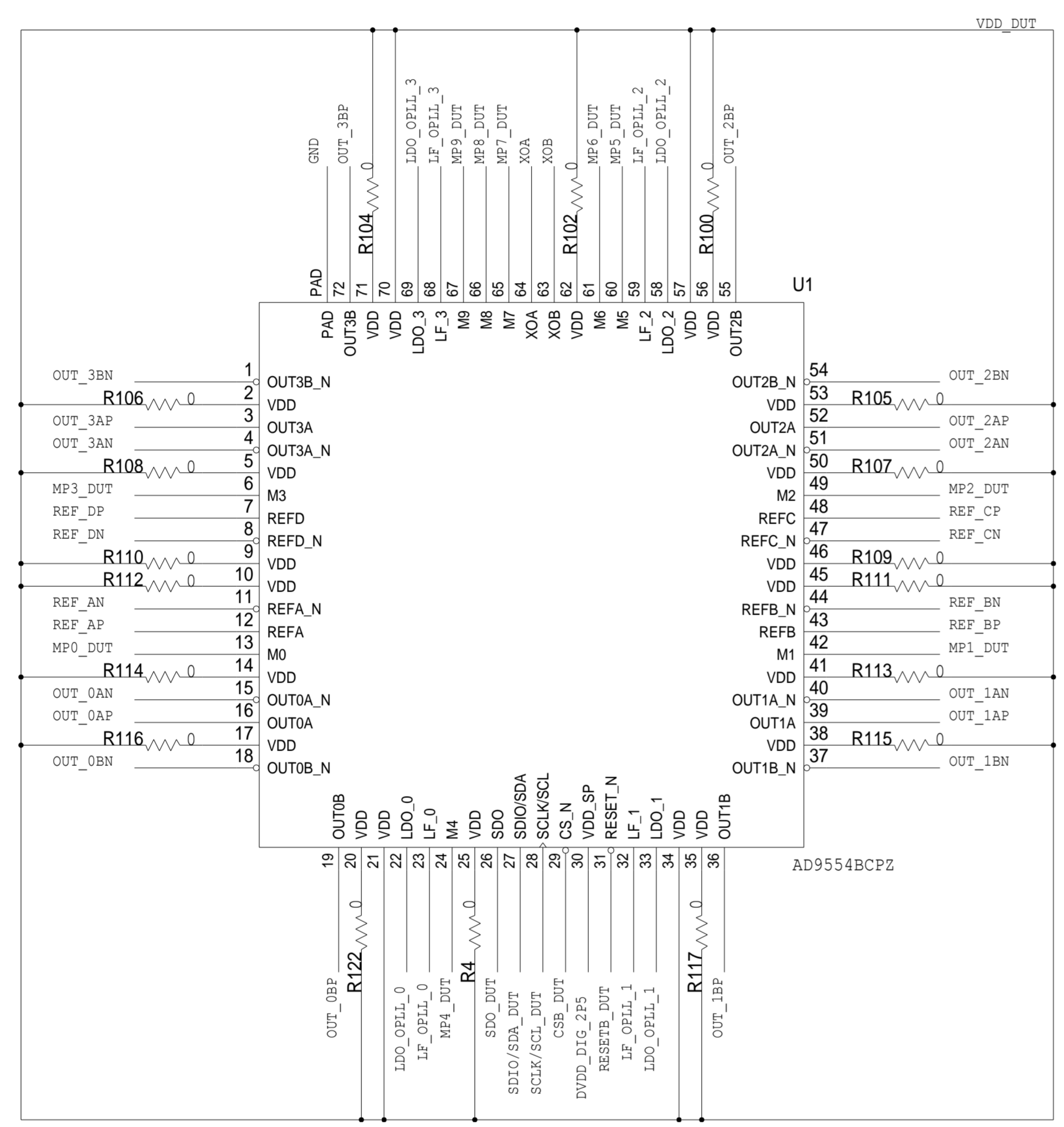


REVISIONS			
REV	DESCRIPTION	DATE	APPROVED

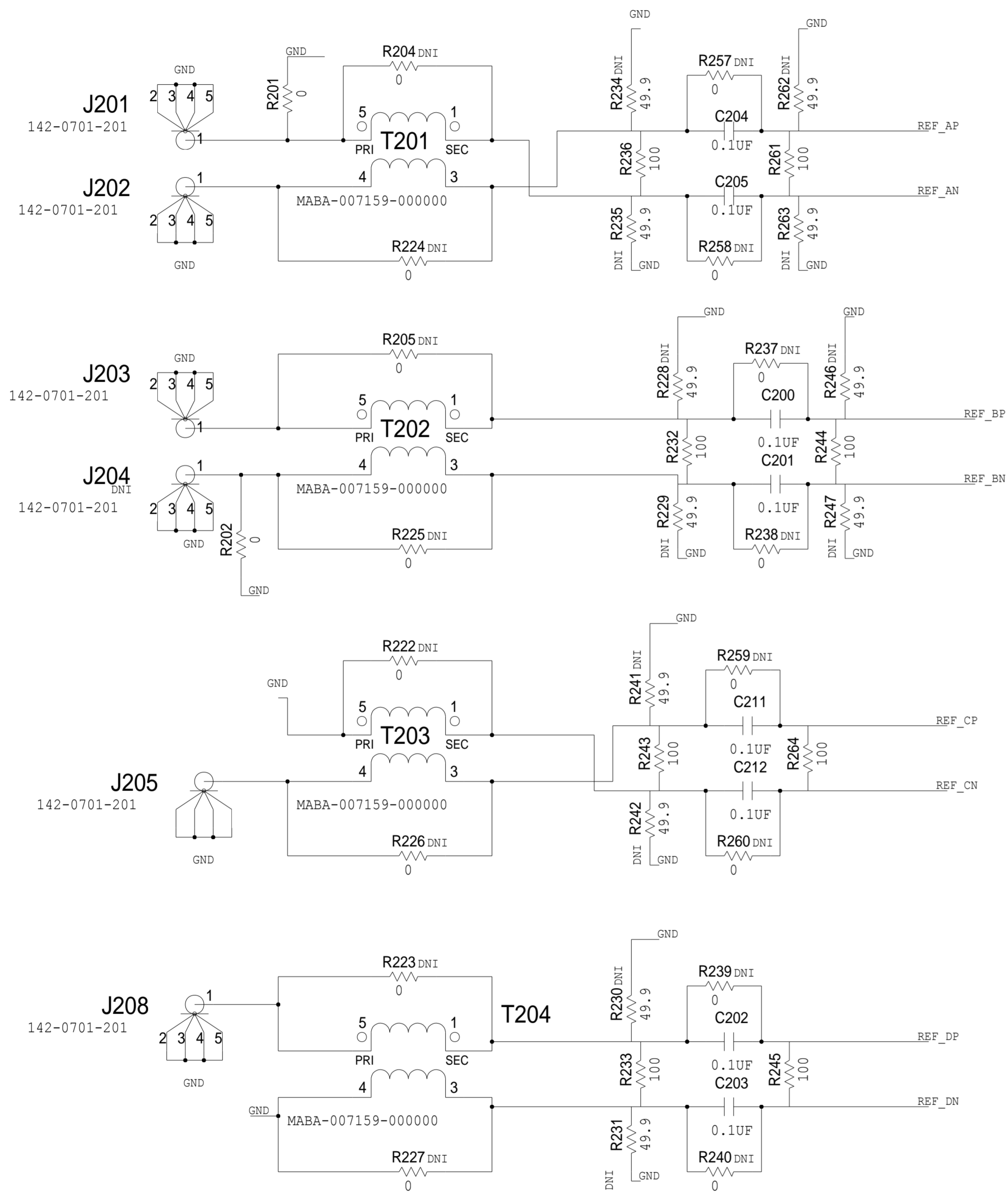
BYPASS CAPACITORS



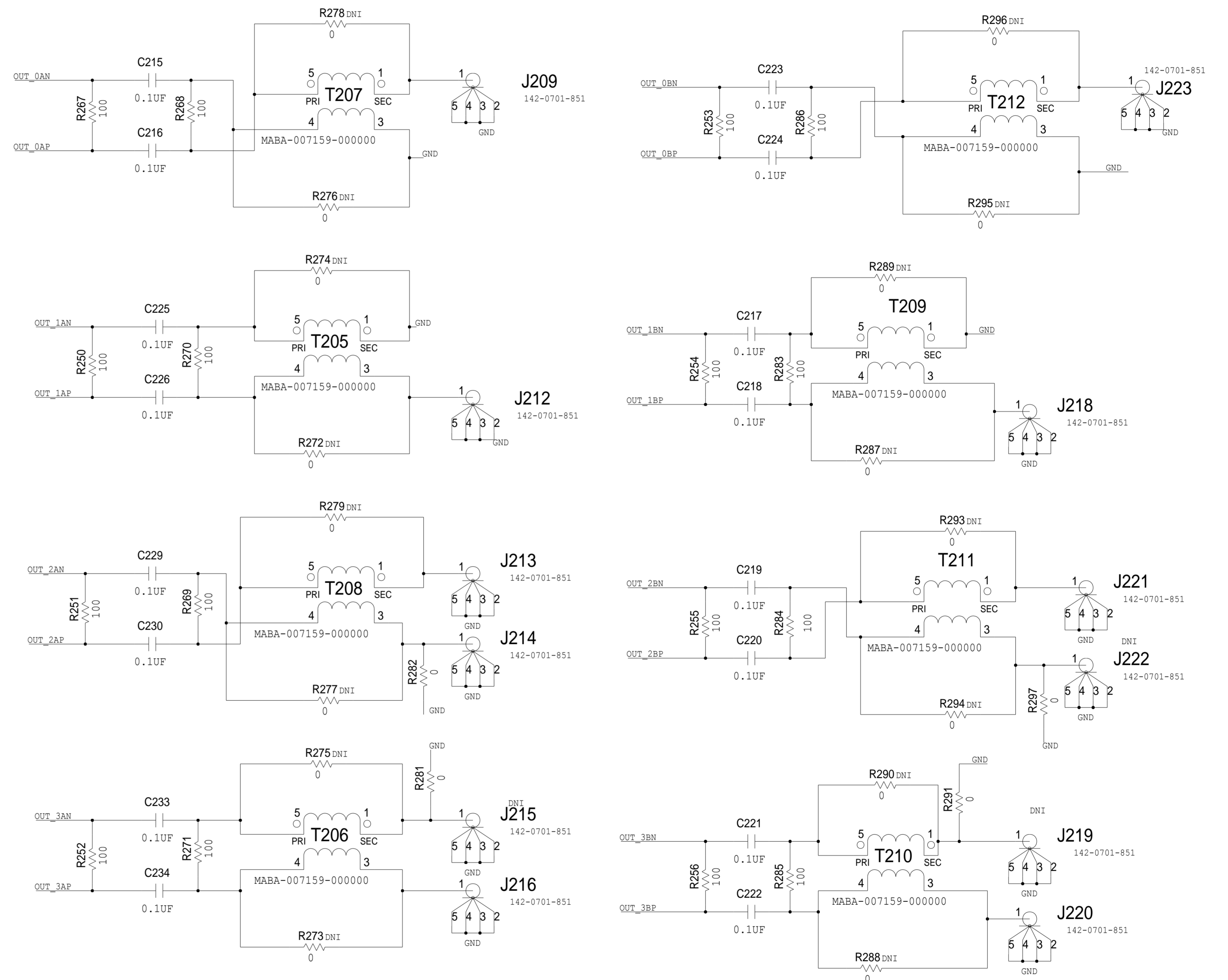
	SCHEMATIC		
	HW TYPE : CUSTOMER EVALUATION		
	Product (s) : AD9554		
	:		
DESIGN VIEW <DESIGN VIEW>	DRAWING NO. 02_035584	REV A	
PTD ENGINEER M. OSTRANDER	SIZE D	SCALE 1:1	SHEET 1 OF 7

REVISIONS			
REV	DESCRIPTION	DATE	APPROVED

REFERENCE INPUTS



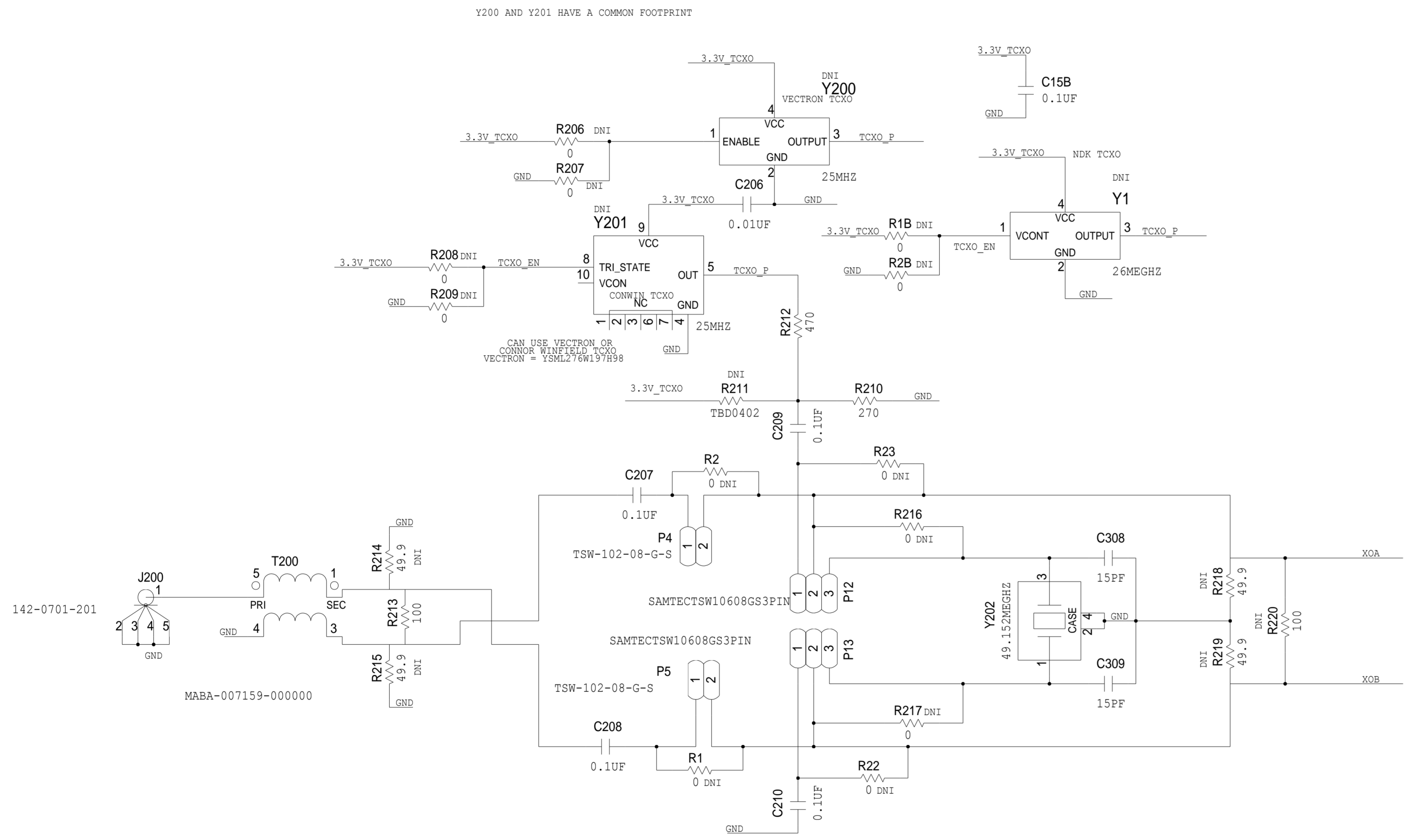
CLOCK OUTPUTS



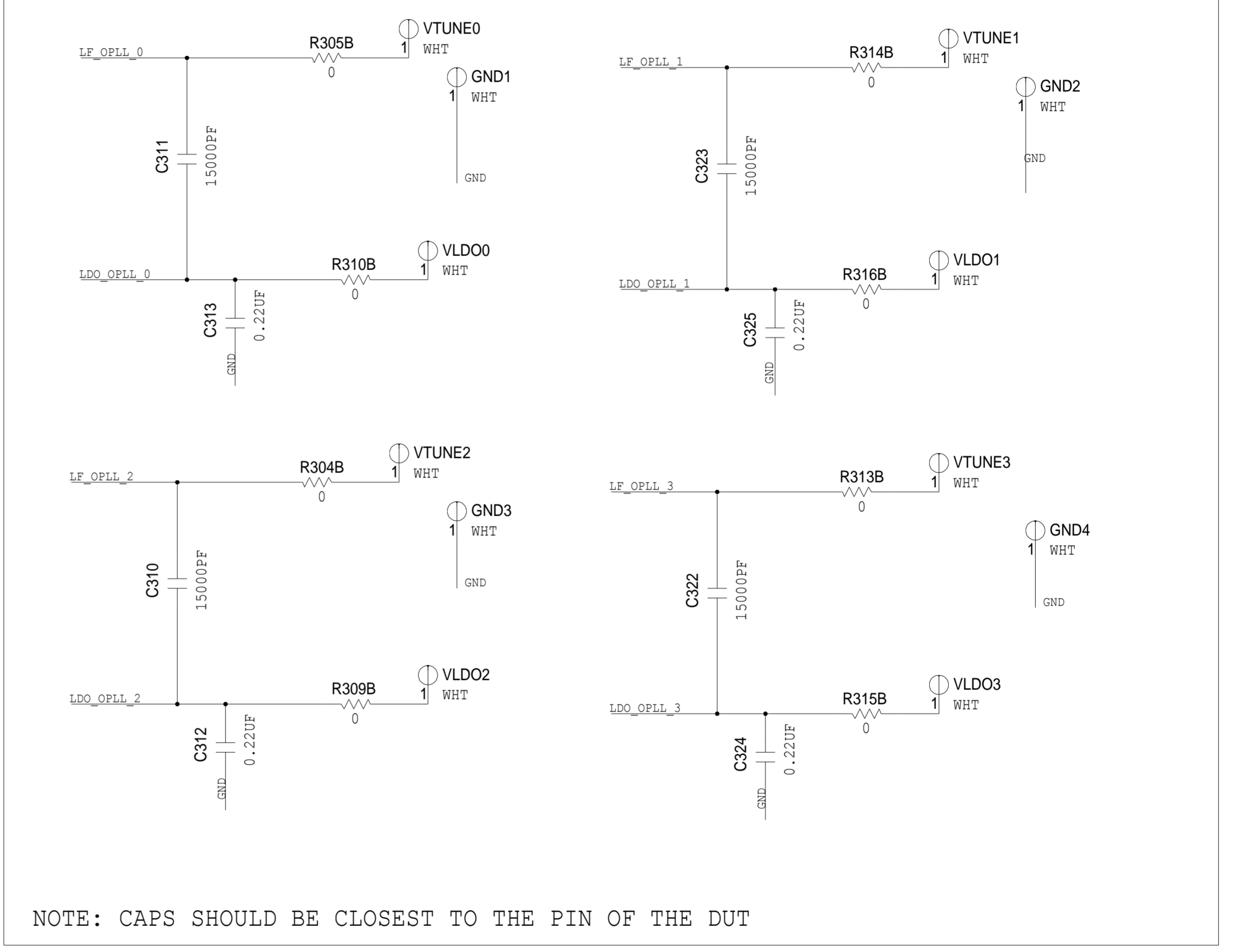
	SCHMATIC		
	HW TYPE : CUSTOMER EVALUATION		
	Product (s) : AD9554		
	:		
DESIGN VIEW	DRAWING NO.	REV	
<DESIGN VIEW>	02_035584	A	
PTD ENGINEER	SCALE	SHEET	
M. OSTRANDER	1:1	2 OF 7	

REVISIONS			
REV	DESCRIPTION	DATE	APPROVED

SYSCLK INPUT



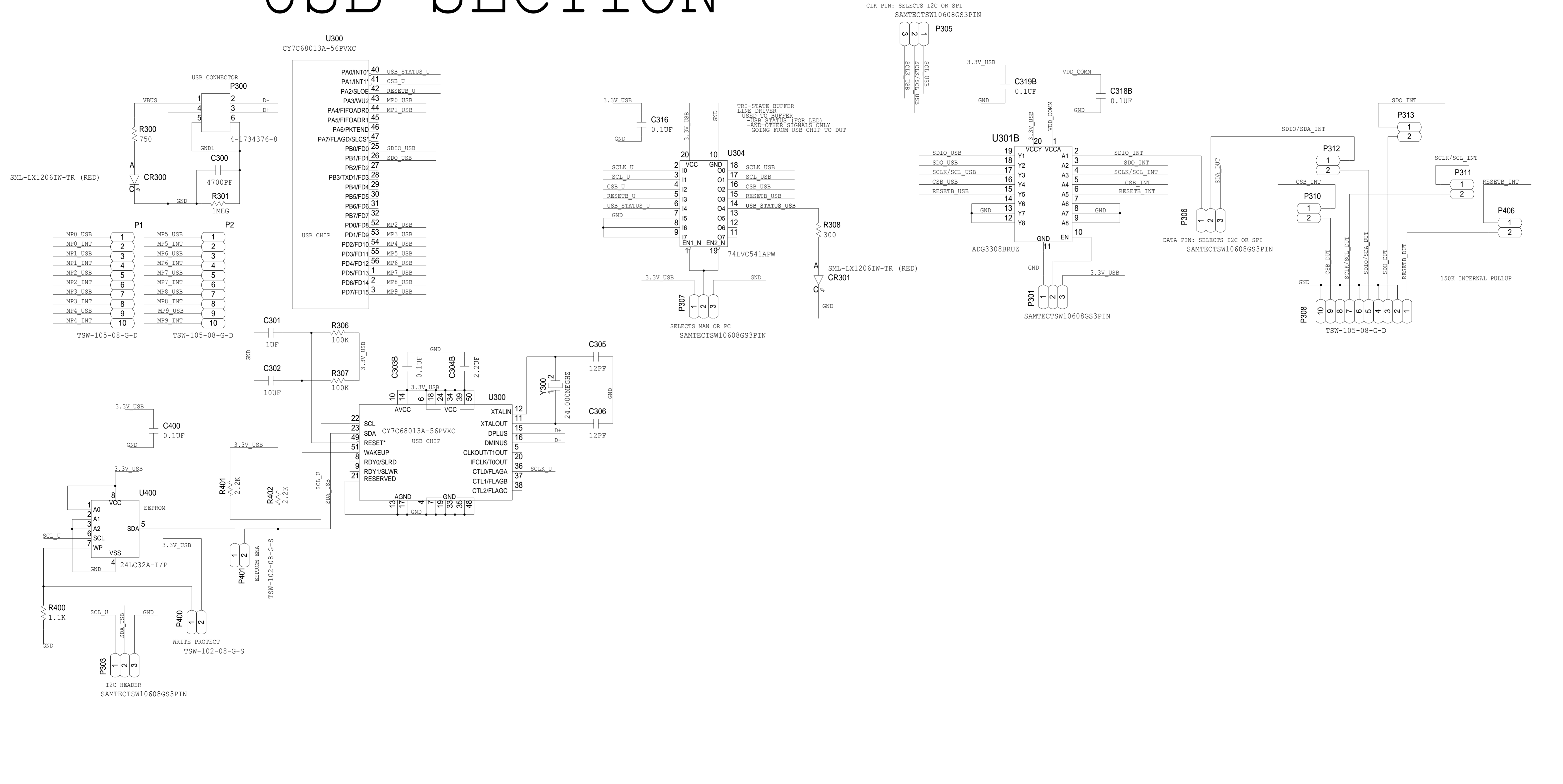
LF & LDO CONNECTIONS



	SCHMATIC		
	HW TYPE : CUSTOMER EVALUATION Product (s) :AD9554		
	DESIGN VIEW <DESIGN VIEW>	DRAWING NO. 02_035584	REV A
	PTD ENGINEER M. OSTRANDER	SIZE D	SCALE 1:1
		SHEET 3 OF 7	

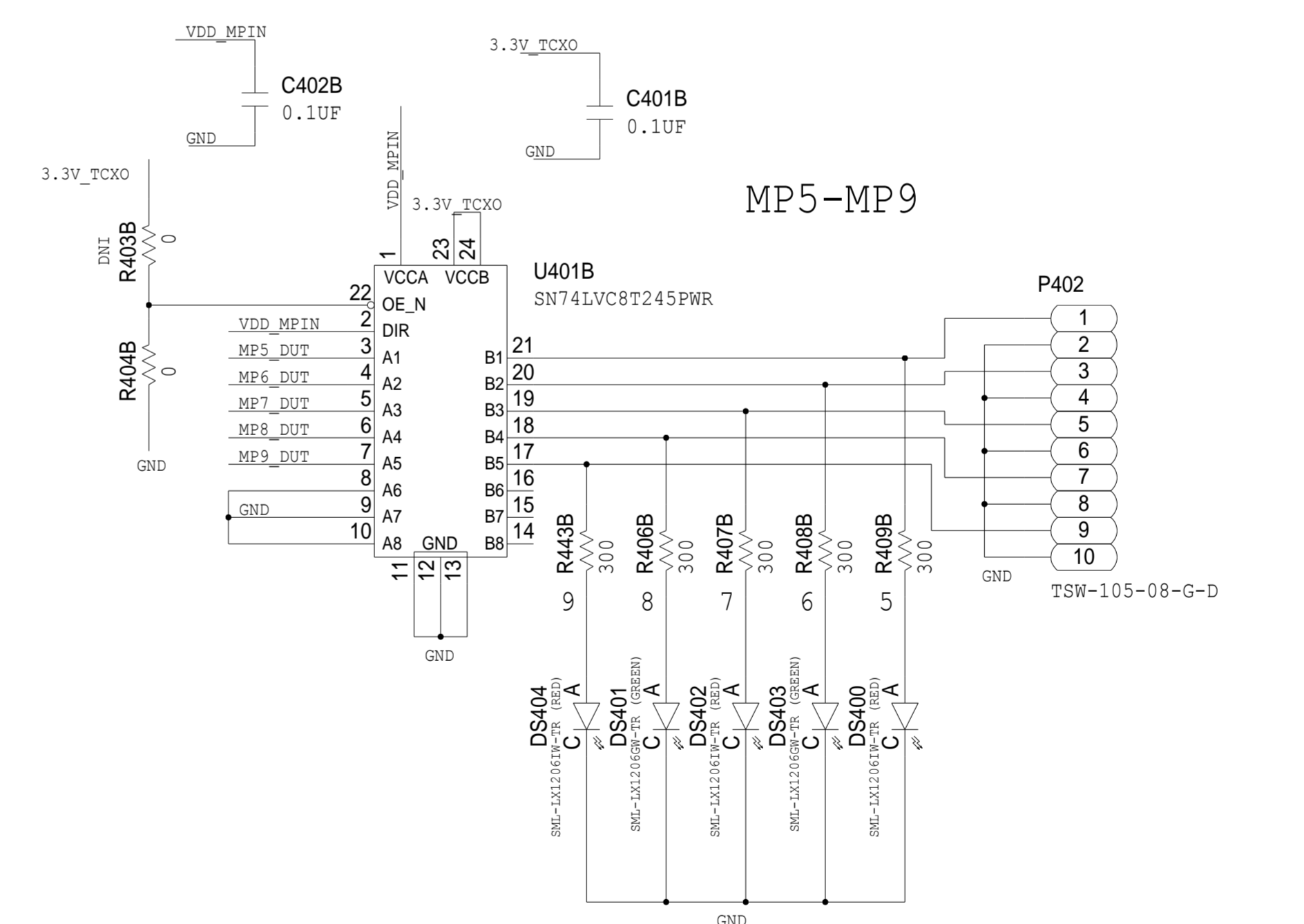
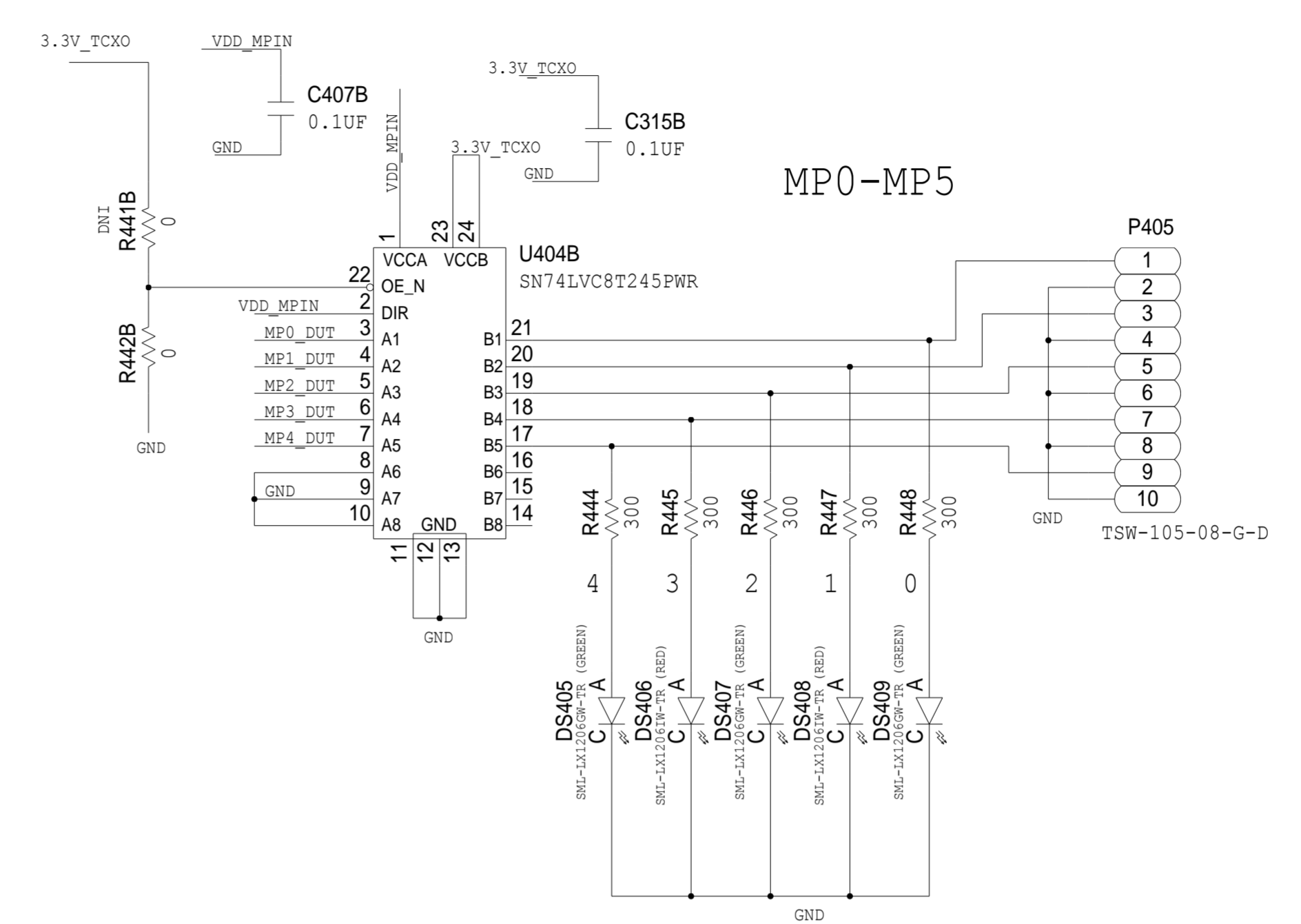
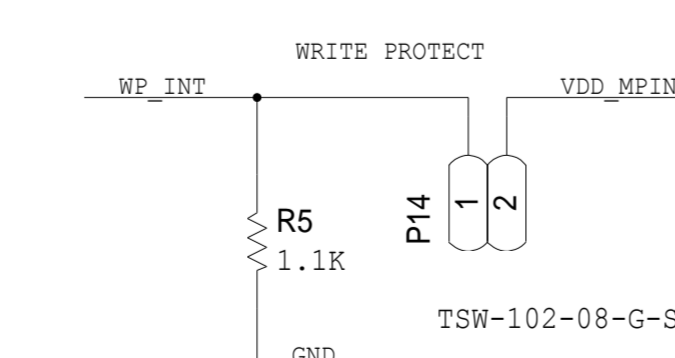
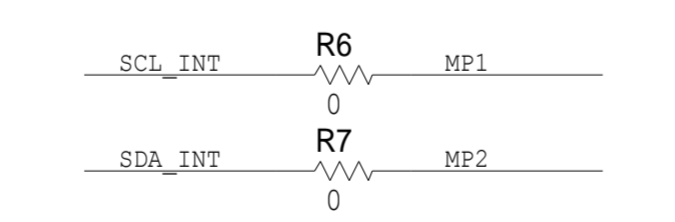
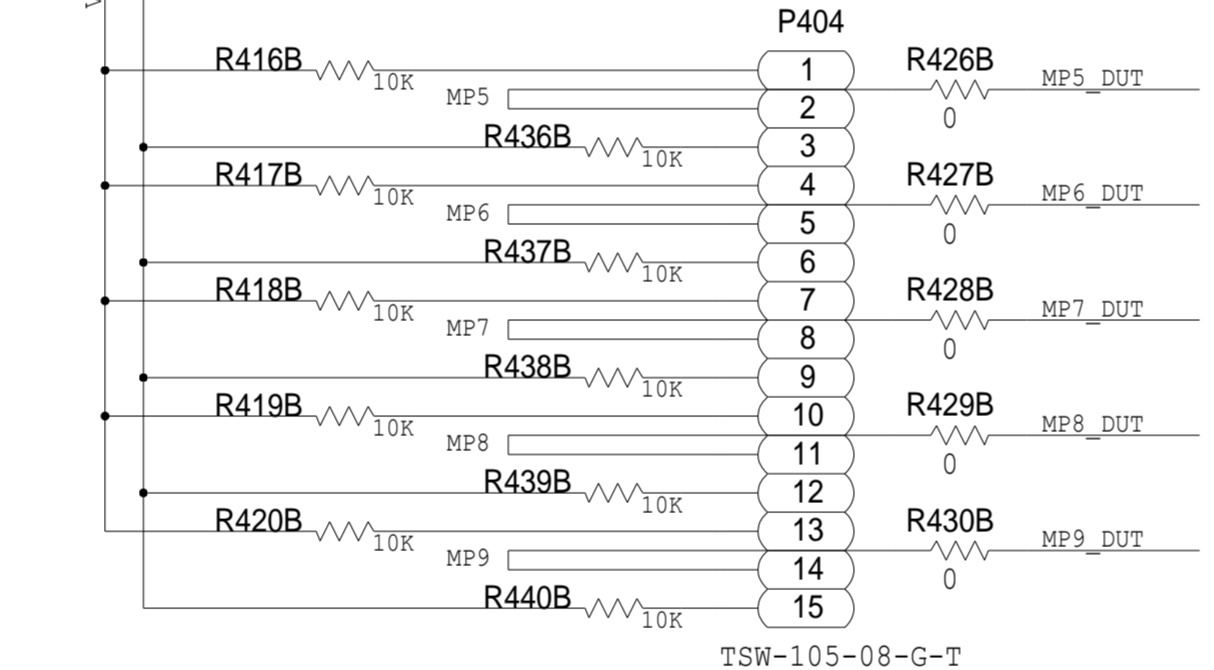
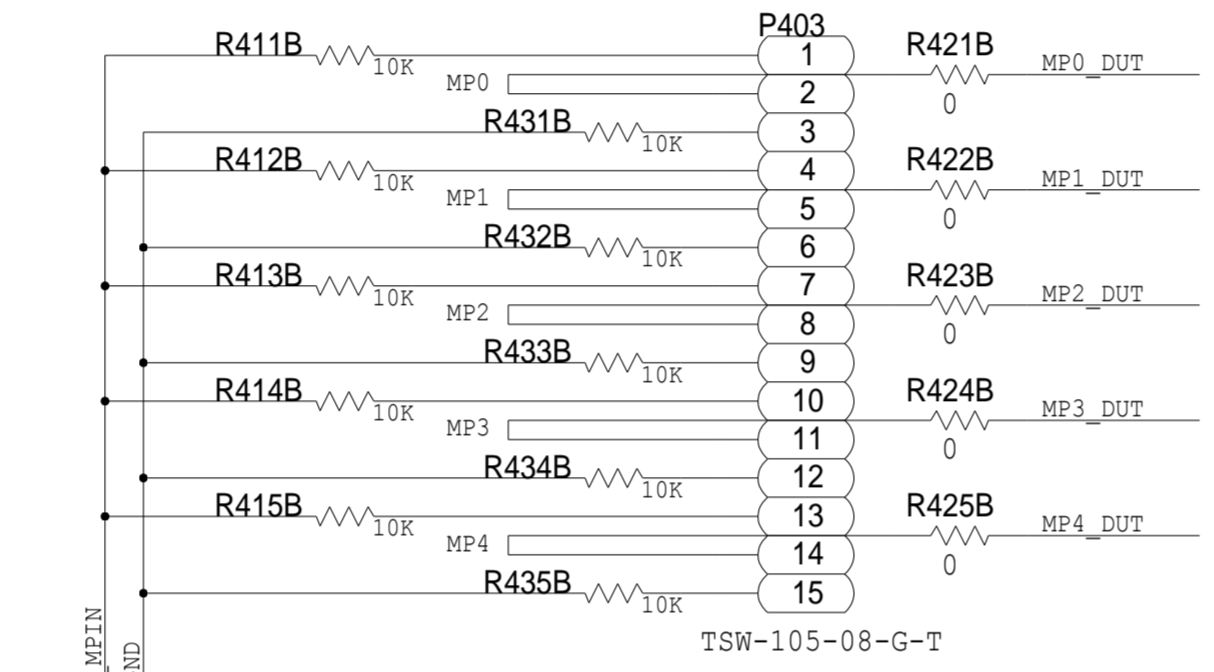
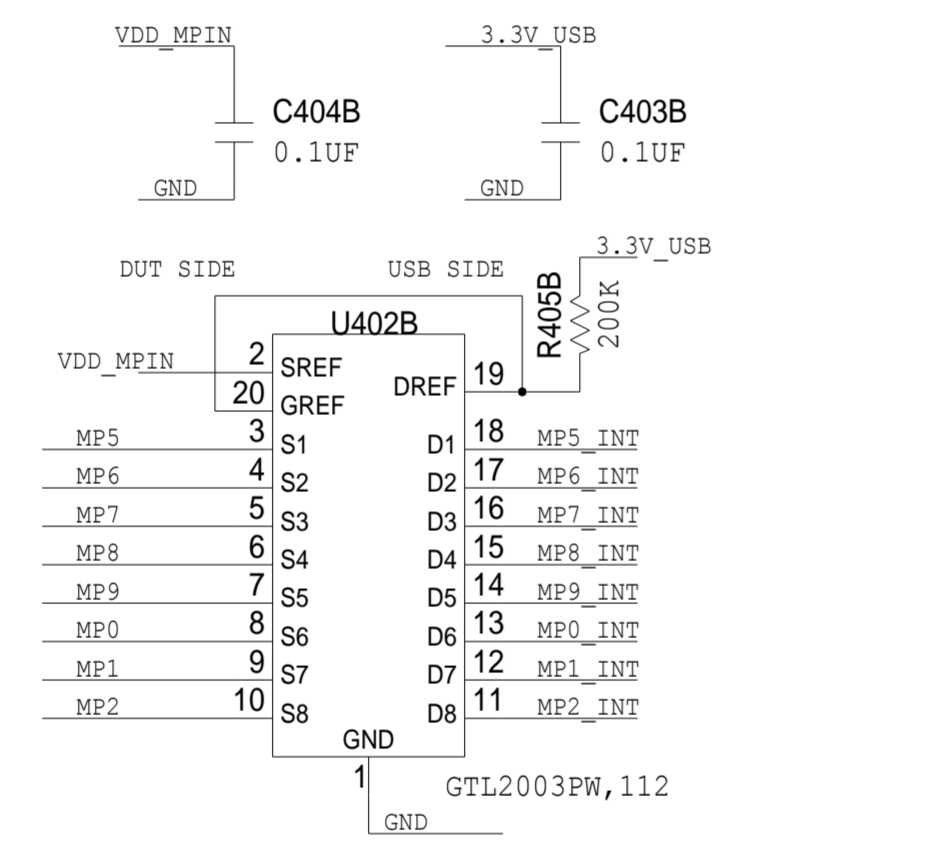
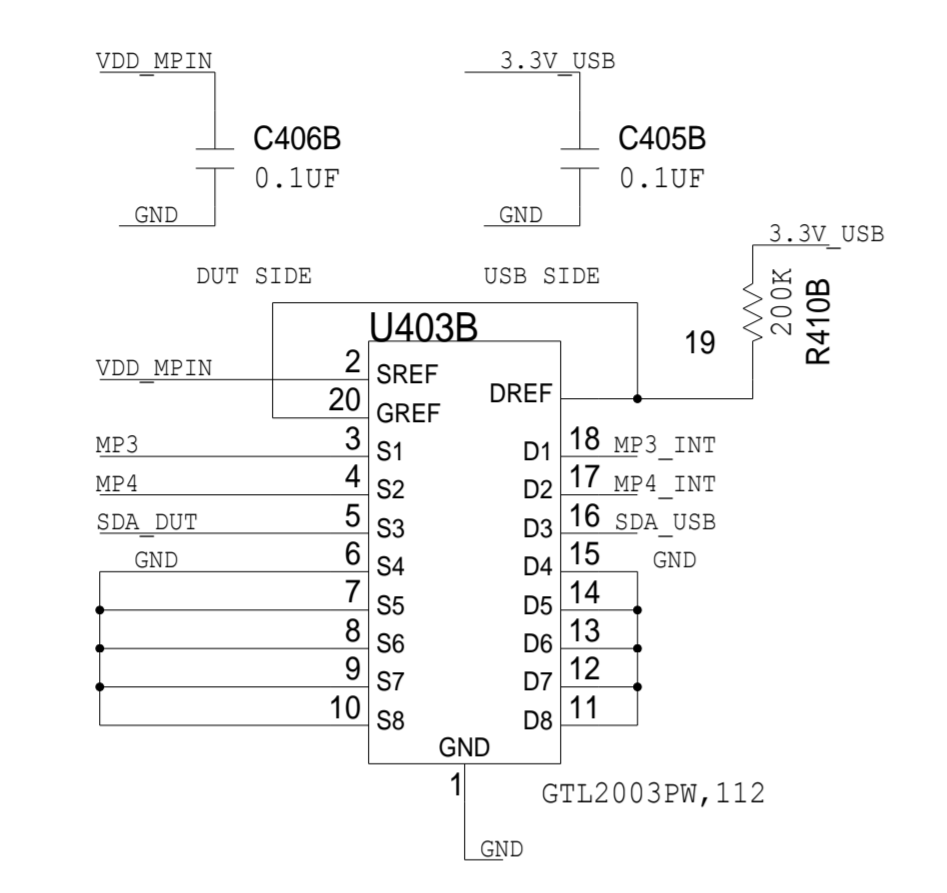
USB SECTION

REVISIONS			
REV	DESCRIPTION	DATE	APPROVED

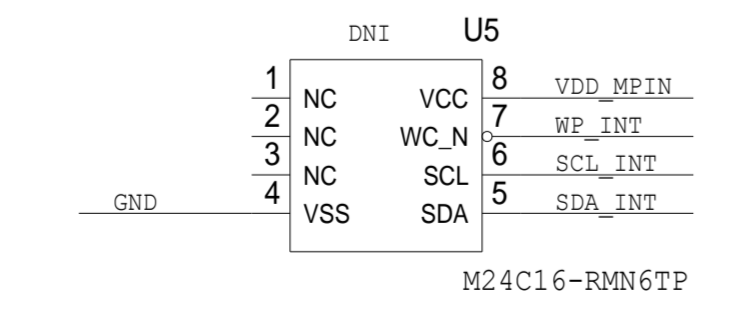
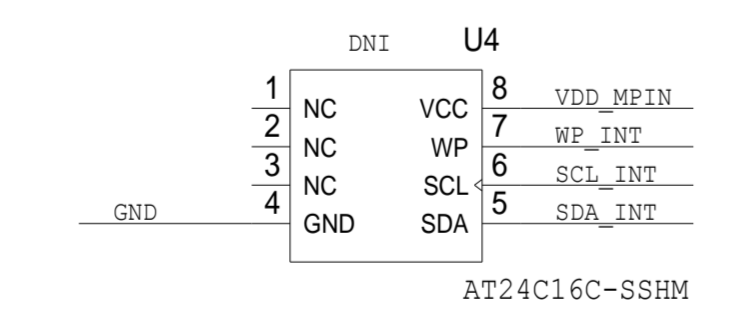
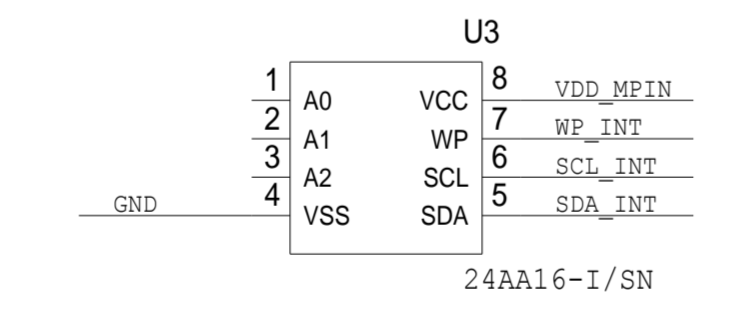


SCHEMATIC			
		HW TYPE : CUSTOMER EVALUATION Product (s) : AD9554	
DESIGN VIEW <DESIGN VIEW>		DRAWING NO. 02_035584	
PTD ENGINEER M. OSTRANDER		REV A	
SIZE D		SCALE 1:1	
SHEET 4 OF 7		SHEET 4 OF 7	

REVISIONS			
REV	DESCRIPTION	DATE	APPROVED



EEPROMS

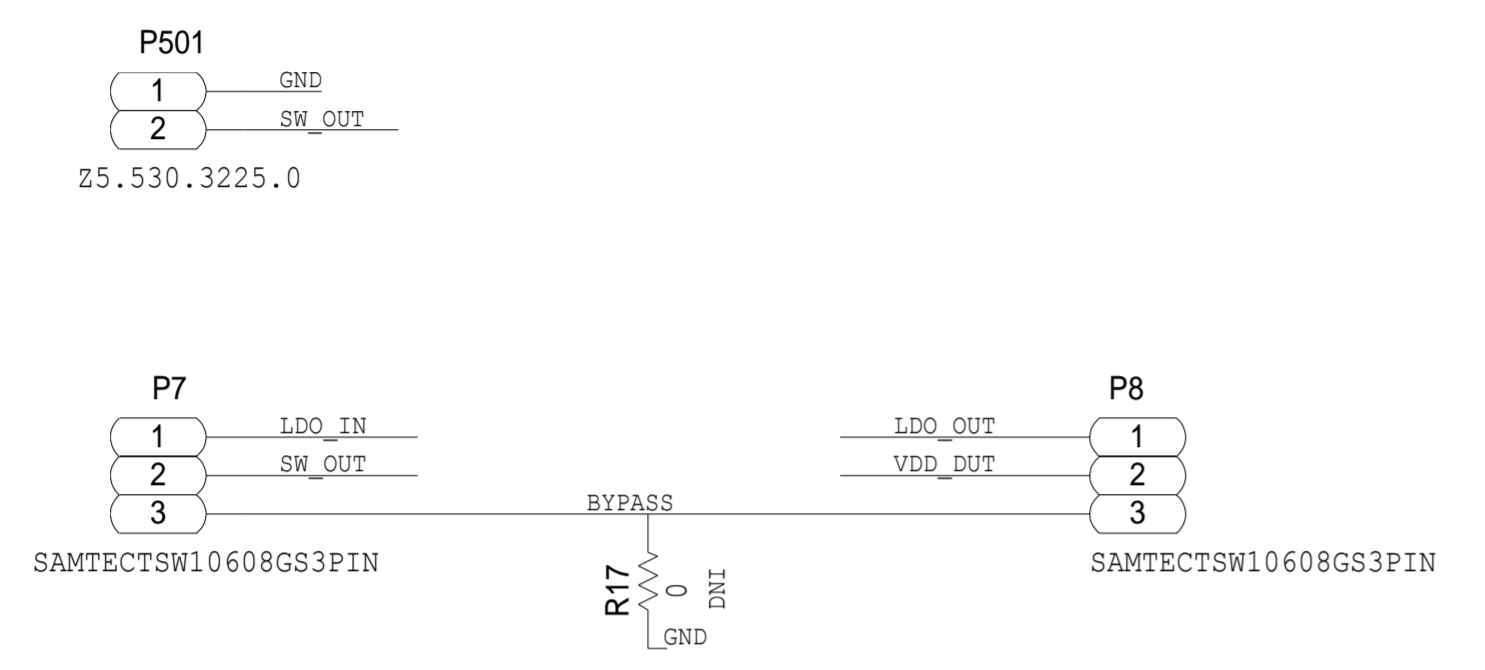


	SCHMATIC		
	HW TYPE : CUSTOMER EVALUATION Product (s) :AD9554		
DESIGN VIEW <DESIGN VIEW>	DRAWING NO. 02_035584	REV A	
PTD ENGINEER M. OSTRANDER	SIZE D	SCALE 1:1	SHEET 5 OF 7

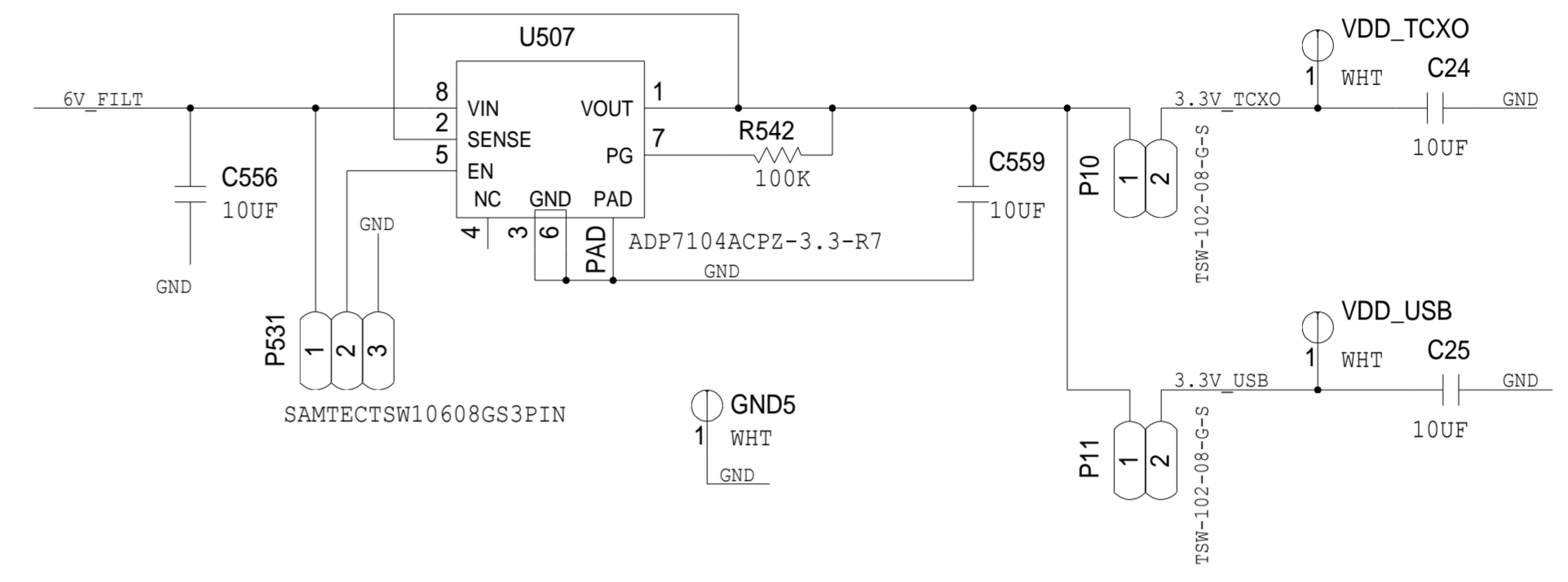
1.5/1.8 V REGULATORS

ADP7104
 78.7K - 1.5V
 78.7K+75K - 1.8V
 78.7K+22.1K - 2.5V
 0 OHM FEEDBACK RESISTOR - 1.22V

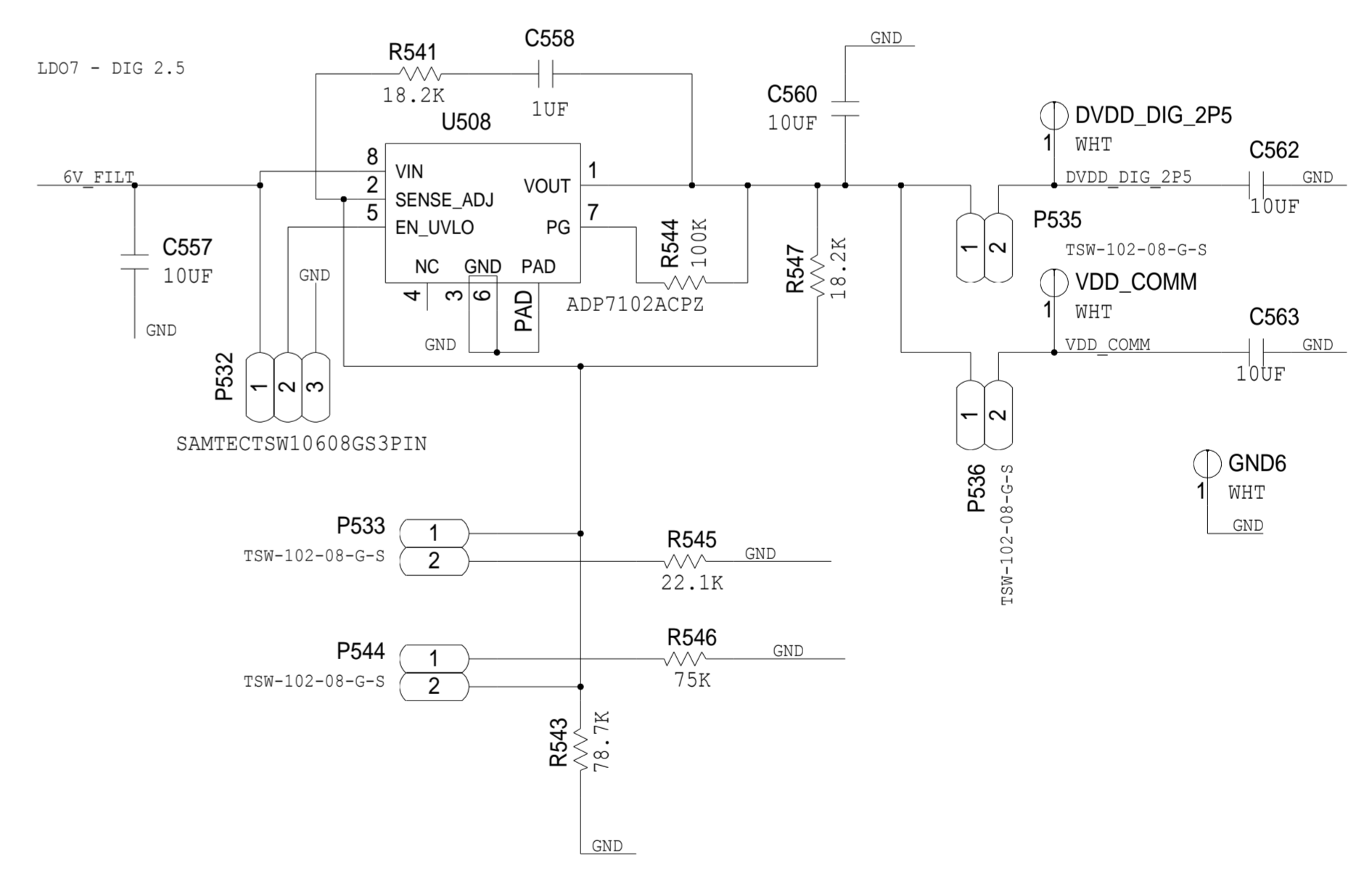
ADP1753
 15K - 1.5V
 15K+49.9K - 1.8V
 OUT-FB:30.9K, FB-GND:22.1K - 1.2V



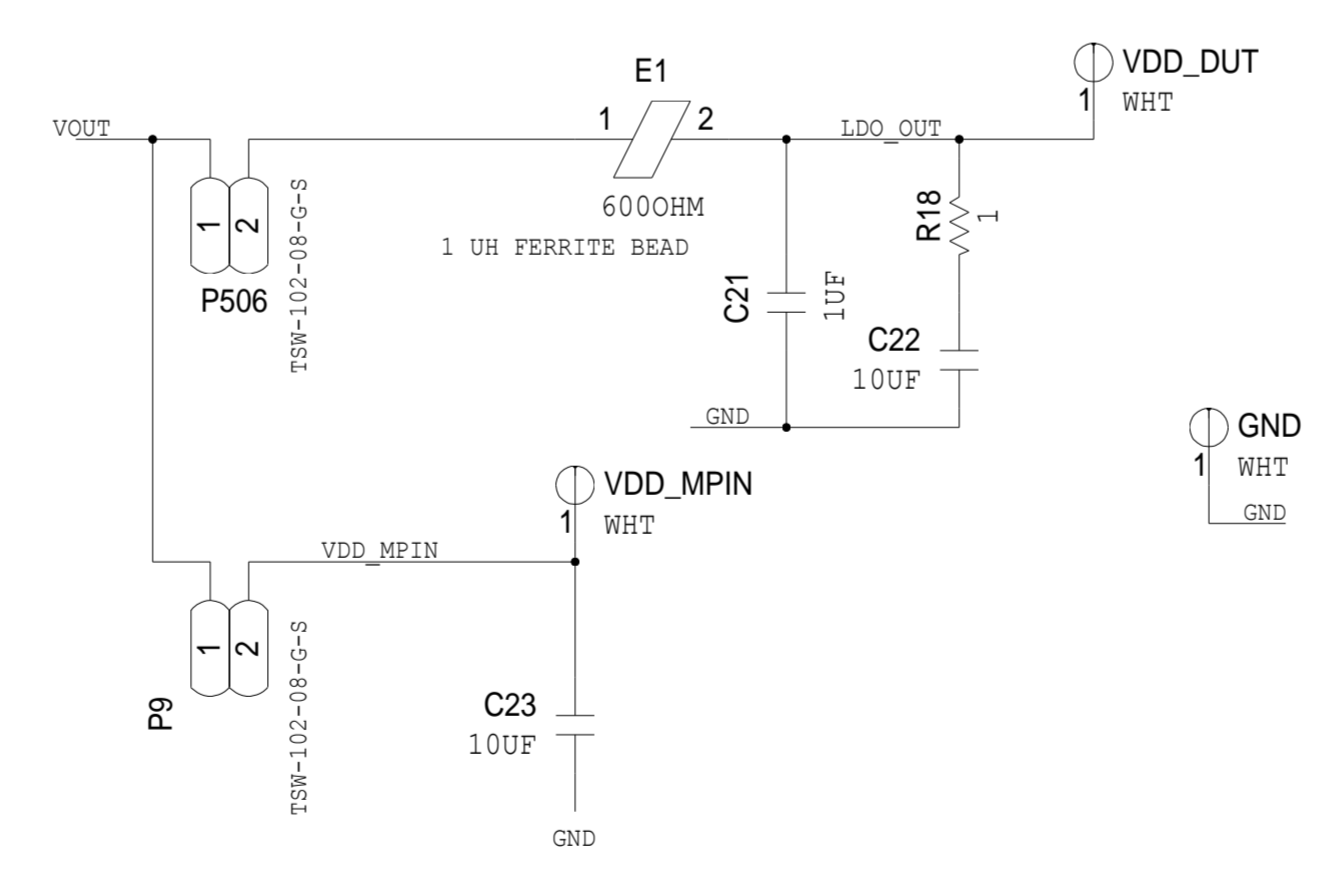
3.3V REGULATORS



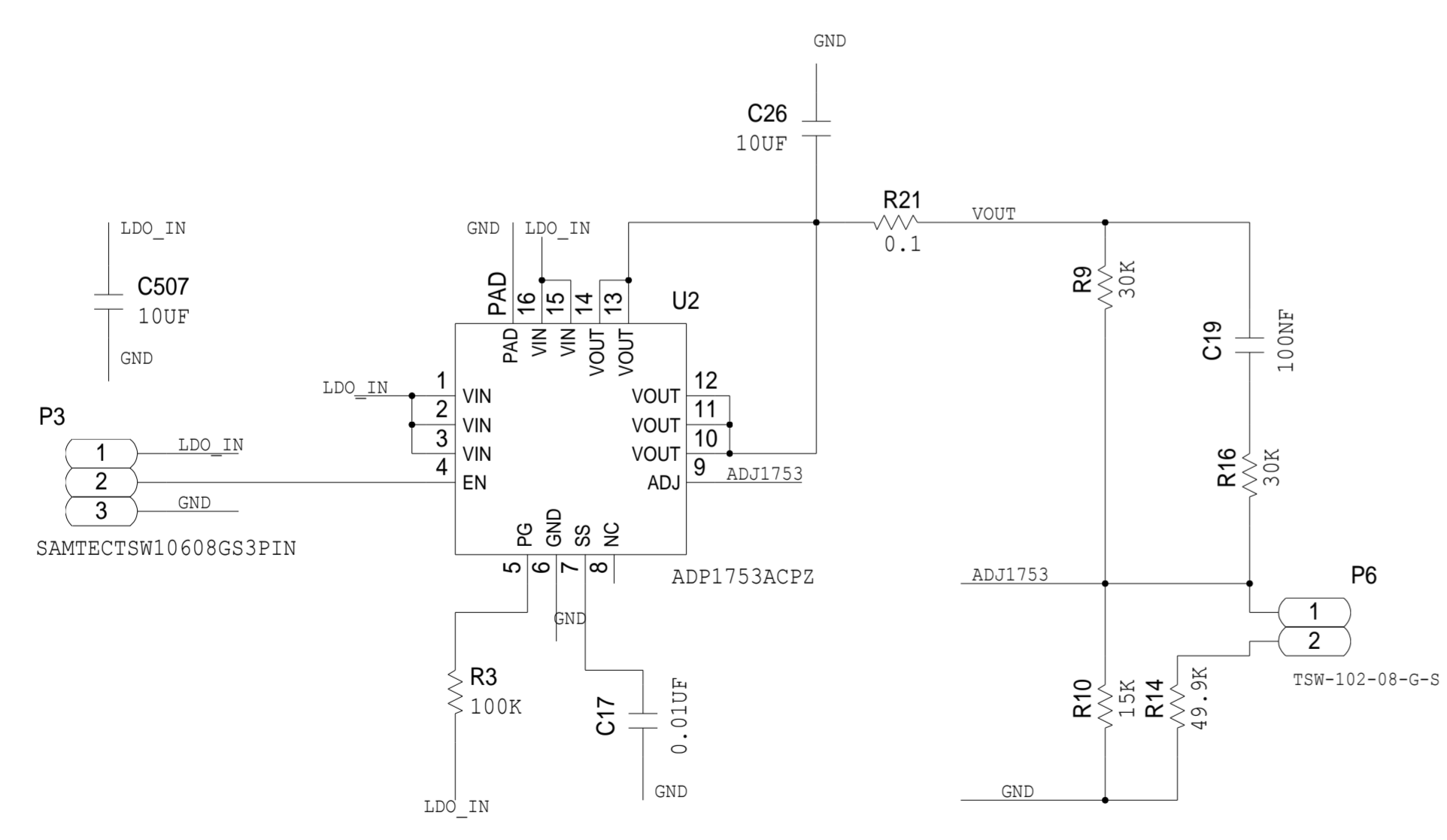
2.5 V REGULATORS



PI FILTER



IF DRIVING PART DIRECT FROM SWITCHER
 VDD_MPIN MUST BE DRIVEN EXTERNALLY

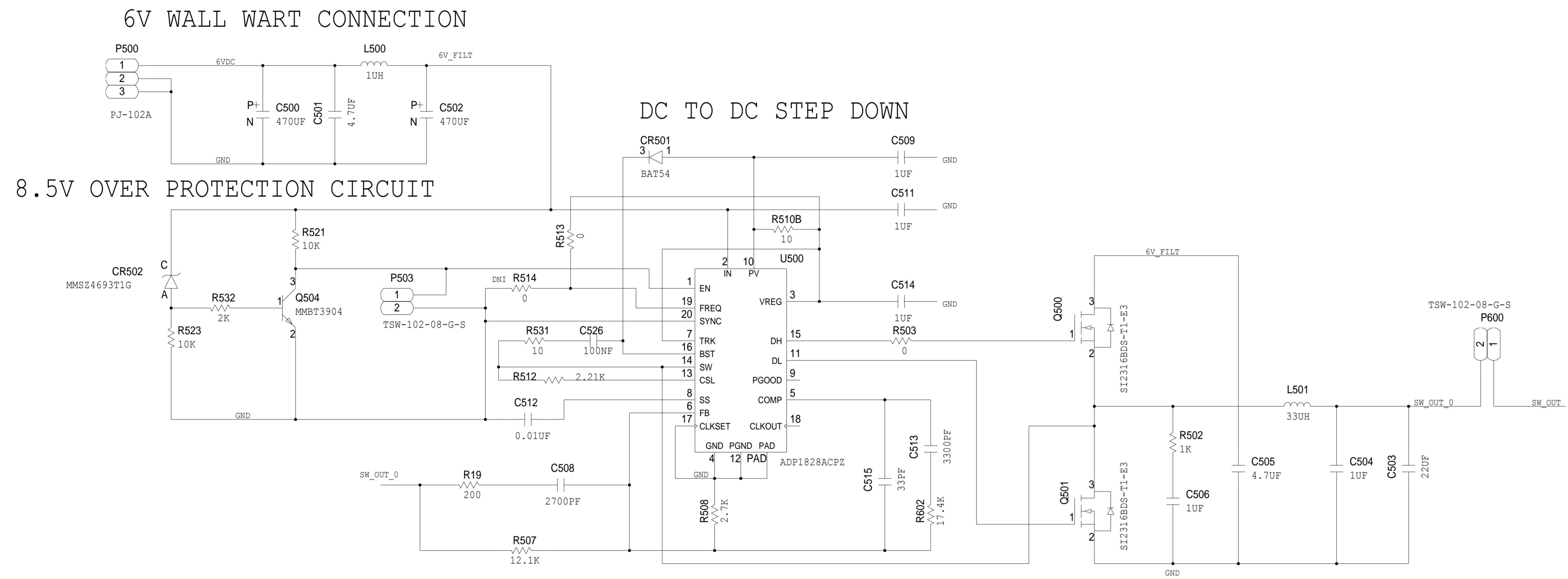


REVISIONS			
REV	DESCRIPTION	DATE	APPROVED

	SCHEMATIC		
	HW TYPE : CUSTOMER EVALUATION Product (s): AD9554		
DESIGN VIEW <DESIGN VIEW>	DRAWING NO. 02_035584	REV A	
PTD ENGINEER M. OSTRANDER	SCALE 1:1	SHEET 6 OF 7	

REVISIONS			
REV	DESCRIPTION	DATE	APPROVED

DC TO DC STEP DOWN - 6V TO 3.3V



	SCHEMATIC		
	HW TYPE : CUSTOMER EVALUATION Product (s) : AD9554		
	DESIGN VIEW <DESIGN VIEW>	DRAWING NO. 02_035584	REV A
	PTD ENGINEER M. OSTRANDER	SIZE D	SCALE 1:1
		SHEET 7 OF 7	