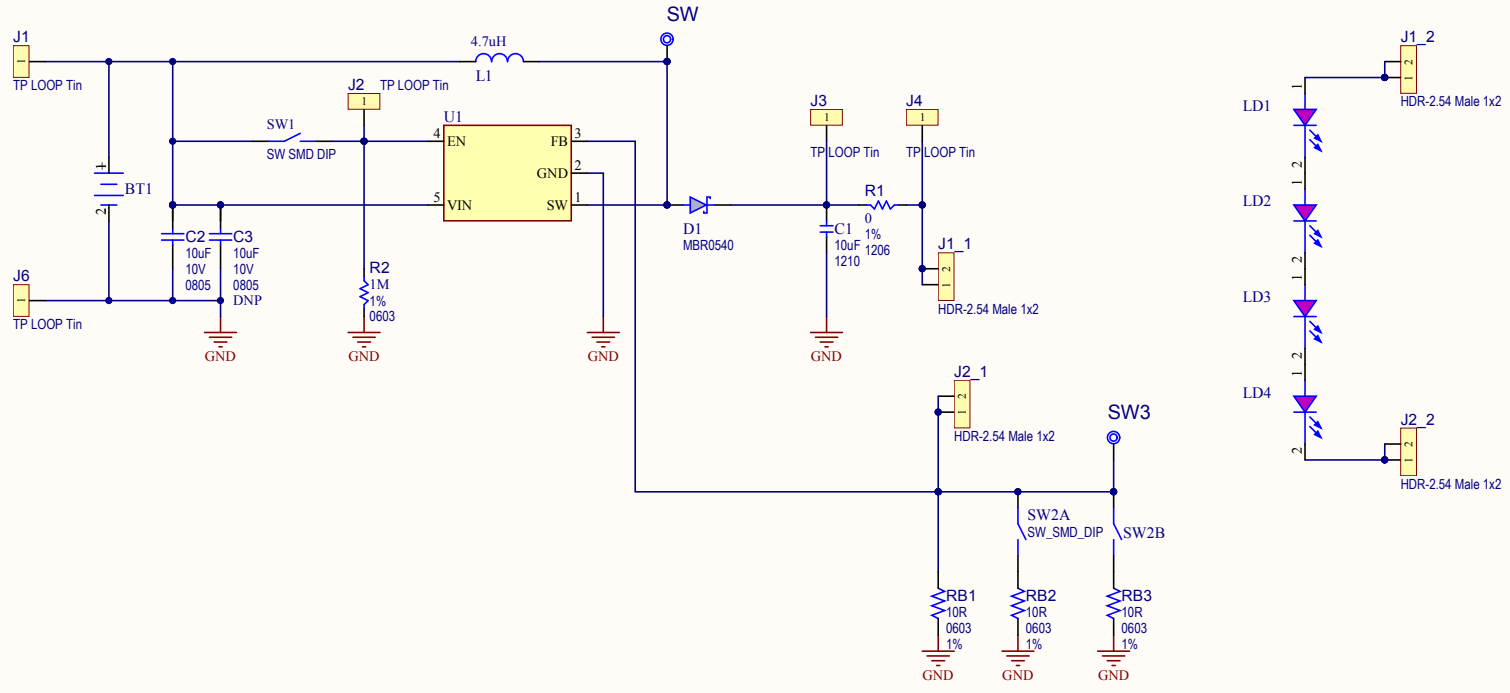




| REV | ECO # | DESCRIPTION | DATE |
|-----|-------|-------------|------|
| | | | |



| | |
|-------------------------------|--|
| Drawn By: Mihai Tanase |  |
| Engineer: Mihai Tanase | |
| PartNumber: ADM00555 | Project Title MCP1662 Boost LED Driver Evaluation Board |
| Sheet Title MCP1662 | Designed with  |
| Size B | Sch #: 03-10236 |
| Revision: 1 | Date: 4/8/2014 2:01:03 PM |
| File: SCH.SchDoc | Sheet 1 of 1 |