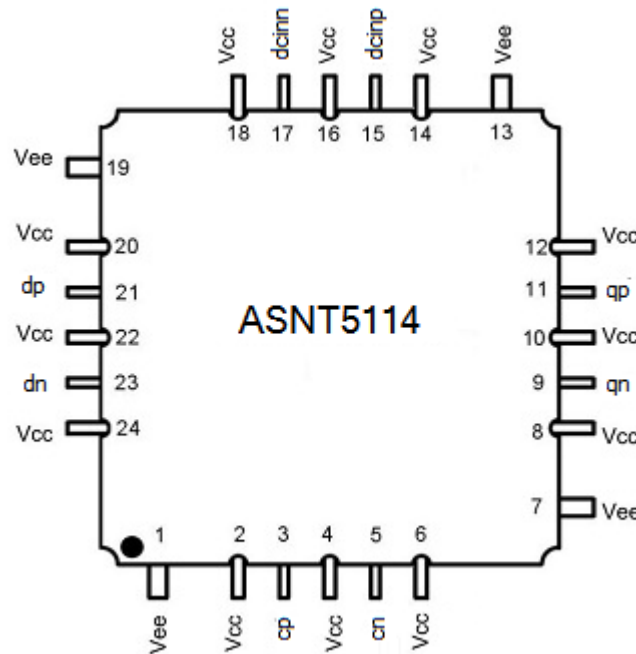




## ASNT5114-KMC DC-32Gbps Linearized High Sensitivity D-Type Flip-Flop

- High speed broadband D-Type Flip-Flop for data retiming with full rate clock
- Sensitive input data buffer with increased CM range that is ideal for sampling applications
- Input data single-ended common mode controls
- Exhibits low jitter and limited temperature variation over industrial temperature range
- 4ps set-up/hold time capability
- 88% clock phase margin for retiming of data input eye
- Fully differential CML input interfaces
- Fully differential CML output interface with 400mV single-ended swing
- Single +3.3V or -3.3V power supply
- Power consumption: 530mW
- Fabricated in SiGe for high performance, yield, and reliability
- Custom CQFP 24-pin package



## DESCRIPTION

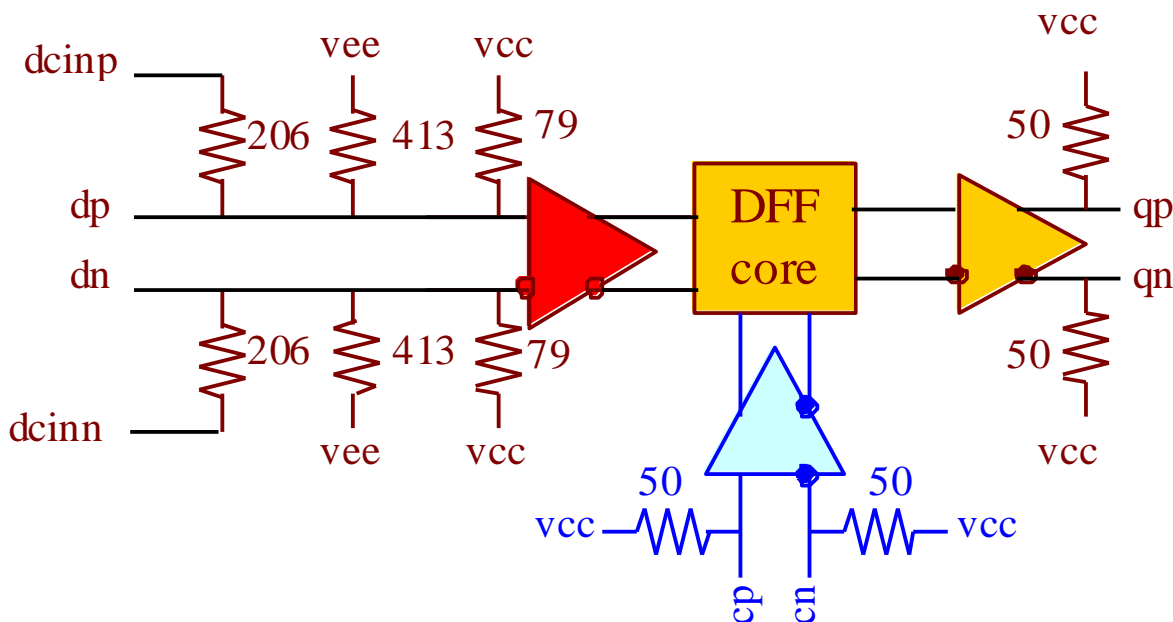


Fig. 1. Functional Block Diagram

The temperature stable ASNT5114-KMC SiGe IC provides broadband data retiming functionality and is intended for use in high-speed measurement / test equipment. The IC shown in Fig. 1 can sample a high-speed data signal dp/dn with a full-rate external clock cp/cn to create a full-rate retimed NRZ data output qp/qn.

The data input buffer is designed to have increased input signal sensitivity and is able to operate over a wider range of input common mode (CM) voltages. The actual common mode voltage levels on data inputs dp/dn can be adjusted by applying voltages between vee and vcc to the corresponding control inputs dcinp/dcinn. The part's I/O's support the CML logic interface with on chip equivalent 50Ohm termination and may be used differentially, AC/DC coupled, single-ended, or in any combination (see also POWER SUPPLY CONFIGURATION). In case of AC-coupled input data signals, the internal common mode voltage levels at the inputs of the input buffer are defined by on-chip resistive dividers.

It should be noted that the control inputs dcinp/dcinn should be always connected to voltage sources to ensure correct 50Ohm terminations for the data inputs.

## POWER SUPPLY CONFIGURATION

The part can operate with either a negative supply (vcc = 0.0V = ground and vee = -3.3V), or a positive supply (vcc = +3.3V and vee = 0.0V = ground). In case of a positive supply, all I/Os need AC termination when connected to any devices with 50Ohm termination to ground. Different PCB layouts will be needed for each different power supply combination.

**All the characteristics detailed below assume vcc = 0.0V and vee = -3.3V.**



## ABSOLUTE MAXIMUM RATINGS

Caution: Exceeding the absolute maximum ratings shown in Table 1 may cause damage to this product and/or lead to reduced reliability. Functional performance is specified over the recommended operating conditions for power supply and temperature only. AC and DC device characteristics at or beyond the absolute maximum ratings are not assumed or implied. All min and max voltage limits are referenced to ground (assumed vcc).

Table 1. Absolute Maximum Ratings

Parameter	Min	Max	Units
Supply Voltage (vee)		-3.6	V
Power Consumption		0.58	W
Input Data Voltage Swing (SE)		1.7	V
Input Clk Voltage Swing (SE)		1.7	V
Case Temperature		+90	°C
Storage Temperature	-40	+100	°C
Operational Humidity	10	98	%
Storage Humidity	10	98	%

## TERMINAL FUNCTIONS

TERMINAL			DESCRIPTION
Name	No.	Type	
<b>High-Speed I/Os</b>			
dp	21	CML Input	Differential data inputs with internal SE 50Ω termination to vcc
dn	23		
cp	3	CML Input	Differential clock inputs with internal SE 50Ω termination to vcc
cn	5		
qp	11	CML Output	Differential data outputs with internal SE 50Ω termination to vcc. Require external SE 50Ω termination to vcc
qn	9		
<b>DC Controls</b>			
dcinp	15	Input	Input data DC common mode voltage level controls. <b>Should be always connected to voltage sources!</b>
dcinn	17		
<b>Supply and Termination Voltages</b>			
Name	Description		Pin Number
vcc	Positive power supply (+3.3V or 0V)		2, 4, 6, 8, 10, 12, 14, 16, 18, 20, 22, 24
vee	Negative power supply (0V or -3.3V)		1, 7, 13, 19



## ELECTRICAL CHARACTERISTICS

PARAMETER	MIN	TYP	MAX	UNIT	COMMENTS
<b>General Parameters</b>					
vcc		0.0		V	External ground
vee	-3.1	-3.3	-3.5	V	±6%
Ivcc		160	175	mA	
Power consumption		530	580	mW	
Junction temperature	-25	50	125	°C	
<b>HS Input Data (dp/dn)</b>					
Data rate	DC	32	40	Gbps	
Swing	0.01		1.6	V	Differential or SE, p-p
CM Voltage Level	vcc-1.6+sw/2		vcc-sw/2	V	Must match for both inputs
<b>HS Input Clock (cp/cn)</b>					
Frequency	DC	32	40	GHz	
Swing	0.05		1.3	V	Differential or SE, p-p
CM Voltage Level	vcc-0.7+sw/2		vcc+0.6-sw/2	V	Must match for both inputs
Duty Cycle	40	50	60	%	
Clock phase margin	86	88	90	%	For reliable data latching
<b>HS Output Data (qp/qn)</b>					
Data rate	DC	32	40	Gbps	
Logic "1" level	vcc-0.05	vcc-0.03	vcc-0.01	V	
Logic "0" level	vcc-0.46	vcc-0.44	vcc-0.42	V	With external 50Ohm DC termination
Jitter		0.15		ps	Peak-to-peak at 32Gbps
<b>DC Input Controls (dcinp/dcinn)</b>					
Max level		vcc + 1.0		V	
Min level		vcc - 1.0		V	

## PACKAGE INFORMATION

The chip die is housed in a custom 24-pin CQFP package shown in Fig. 2. The package provides a center heat slug located on its back side to be used for heat dissipation. ADSANTEC recommends for this section to be soldered to the vcc plain, which is ground for a negative supply, or power for a positive supply.

The part's identification label is ASNT5114-KMC. The first 8 characters of the name before the underscore identify the bare die including general circuit family, fabrication technology, specific circuit type, and part version while the 3 characters after the underscore represent the package's manufacturer, type, and pin out count.

This device complies with the Restriction of Hazardous Substances (RoHS) per 2011/65/EU for all ten substances.

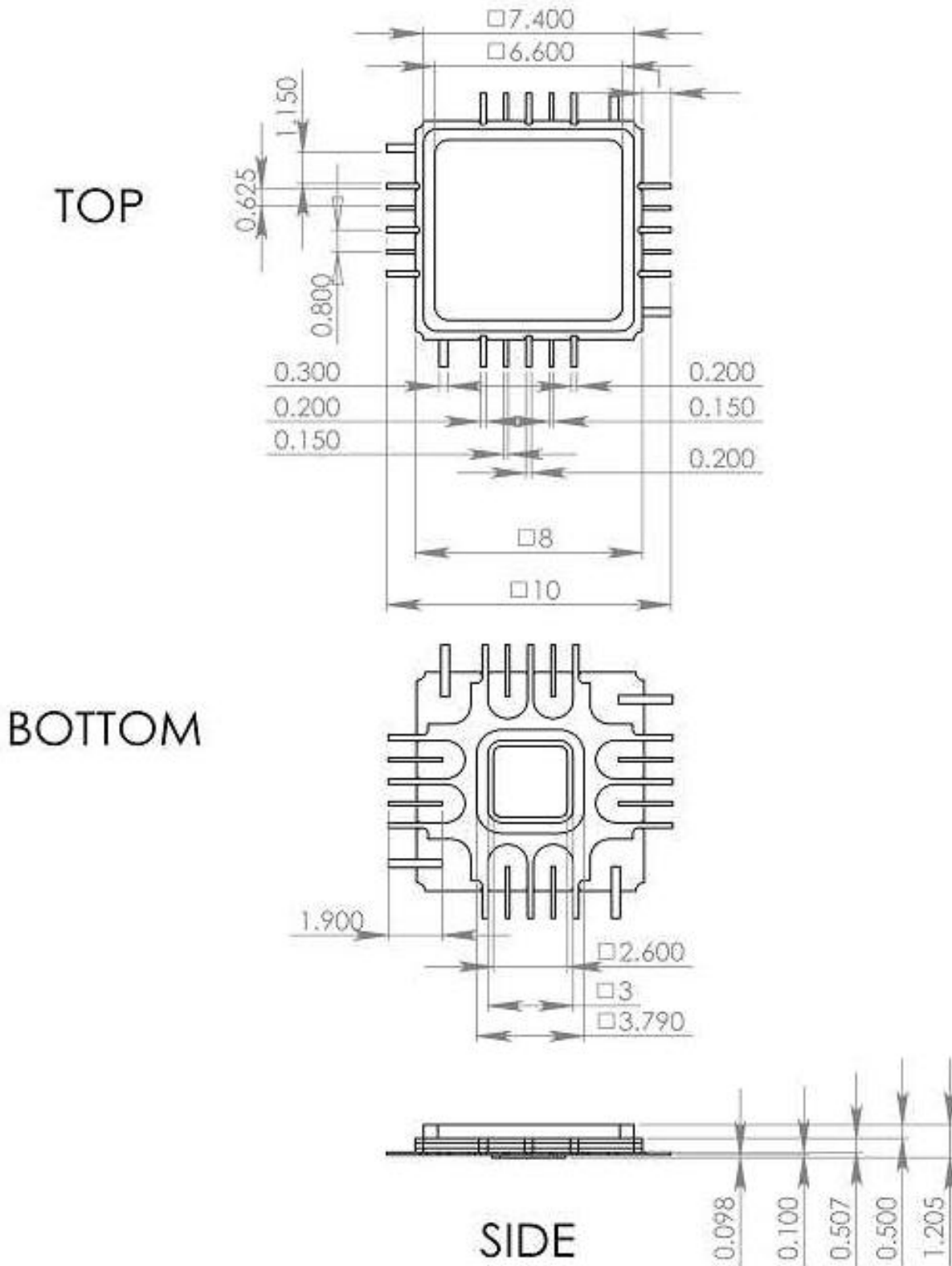


Fig. 2. CQFP 24-Pin Package Drawing (All Dimensions in mm)



## REVISION HISTORY

Revision	Date	Changes
1.4.2	11-2020	Corrected Pin Diagram
1.3.2	05-2020	Updated Package Information
1.2.2	07-2019	Updated Letterhead
1.2.1	01-2014	Corrected title
1.1.1	06-2013	Removed data duty cycle specification
1.0.1	02-2013	First release