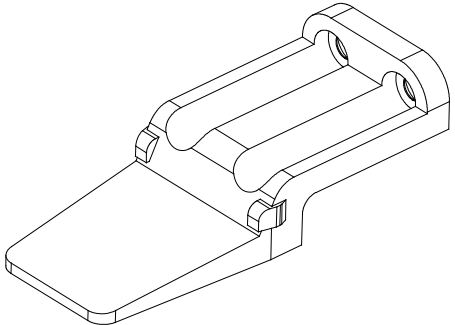
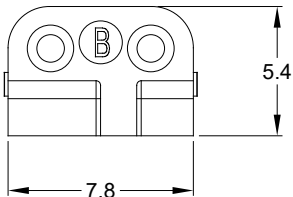
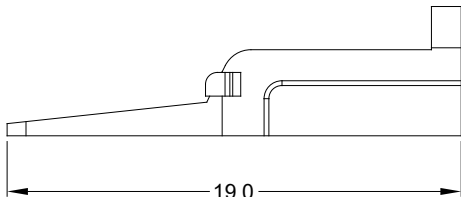
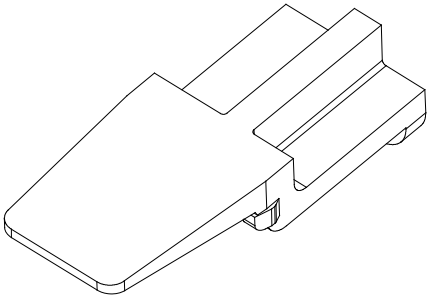
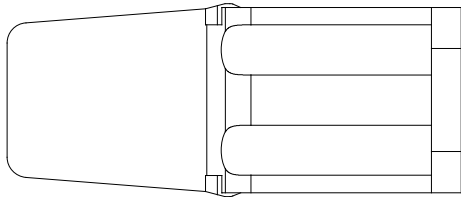


REVISIONS					
REV	ECO	DESCRIPTION	DATE	BY	APPR
A1	-	RELEASE	26/JUL/16	JONY	TOMMY



NOTES: UNLESS OTHERWISE SPECIFIED

1. MATERIAL: THERMOPLASTIC; COLOR: BLACK
2. RoHS COMPLIANT
3. CAVITIES: 2
4. KEYED: B KEYED
5. USE WITH CONNECTORS ATM06-2S*
(* = MODIFICATIONS AND COLORS)
6. ALL DIMENSIONS ARE FOR REFERENCE USE ONLY.

AWM-2SB		REF: WM-2SB													
PART NUMBER		DESCRIPTION													
QUANTITY	MATERIALS LIST														
<p>UNLESS OTHERWISE SPECIFIED</p> <p>1) All dimensions are in metric(mm). 2) Tolerances are as follows: 1 PL DEC ±0.30 Fractions ±1/64 2 PL DEC ±0.15 Angles ±1° 3 PL DEC ±0.08</p> <p>3) Note reference = </p>		<table border="1"> <thead> <tr> <th>SIGNATURES</th> <th>DATE</th> </tr> </thead> <tbody> <tr> <td>DRAWN: JONY</td> <td>26/JUL/16</td> </tr> <tr> <td>CHECKED: Orion</td> <td>26/JUL/16</td> </tr> <tr> <td>ENGINEER:</td> <td></td> </tr> <tr> <td>APPROVAL: Tommy</td> <td>26/JUL/16</td> </tr> <tr> <td>CUSTOMER:</td> <td></td> </tr> </tbody> </table>		SIGNATURES	DATE	DRAWN: JONY	26/JUL/16	CHECKED: Orion	26/JUL/16	ENGINEER:		APPROVAL: Tommy	26/JUL/16	CUSTOMER:	
SIGNATURES	DATE														
DRAWN: JONY	26/JUL/16														
CHECKED: Orion	26/JUL/16														
ENGINEER:															
APPROVAL: Tommy	26/JUL/16														
CUSTOMER:															
MATERIAL SPECIFICATIONS:		<p>Amphenol</p> <p>Sine Systems - www.amphenol-sine.com 44724 Morley Drive Clinton Township, MI 48036</p>													
PROCESS SPECIFICATIONS:		<p>S-WEDGELOCK, 2 POS, B KEYED, ATM SERIES</p>													
NEXT ASSY:		<table border="1"> <tr> <td>SIZE</td> <td>TYPE</td> <td>DWG NO:</td> <td>REVISION</td> </tr> <tr> <td>B</td> <td>C-</td> <td>AWM-2SB</td> <td>A1</td> </tr> </table>	SIZE	TYPE	DWG NO:	REVISION	B	C-	AWM-2SB	A1					
SIZE	TYPE	DWG NO:	REVISION												
B	C-	AWM-2SB	A1												
		SCALE: NONE	SHEET 1 OF 1												