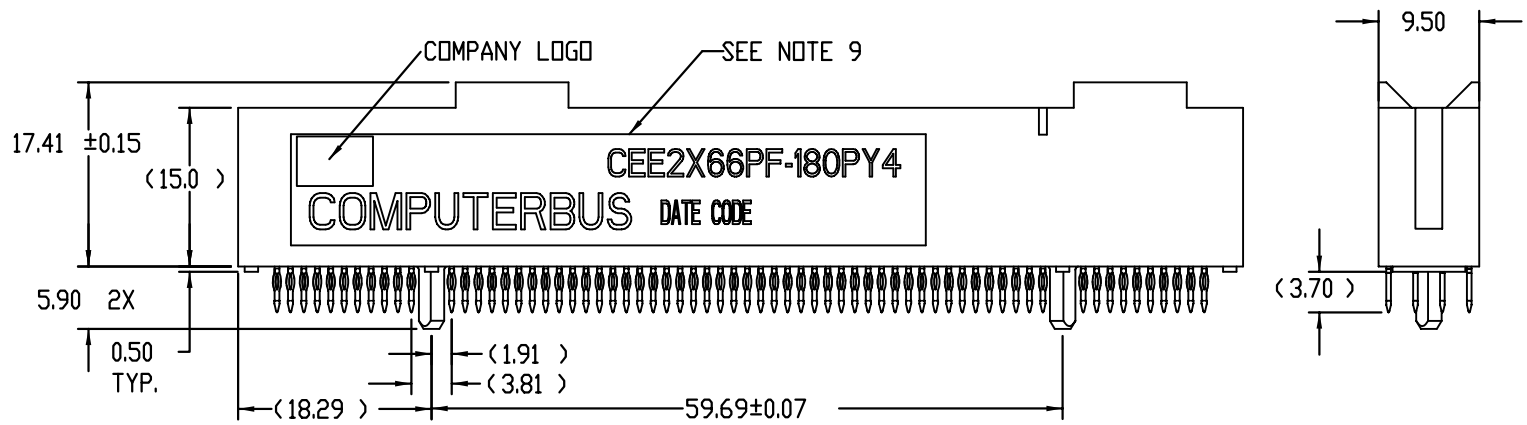
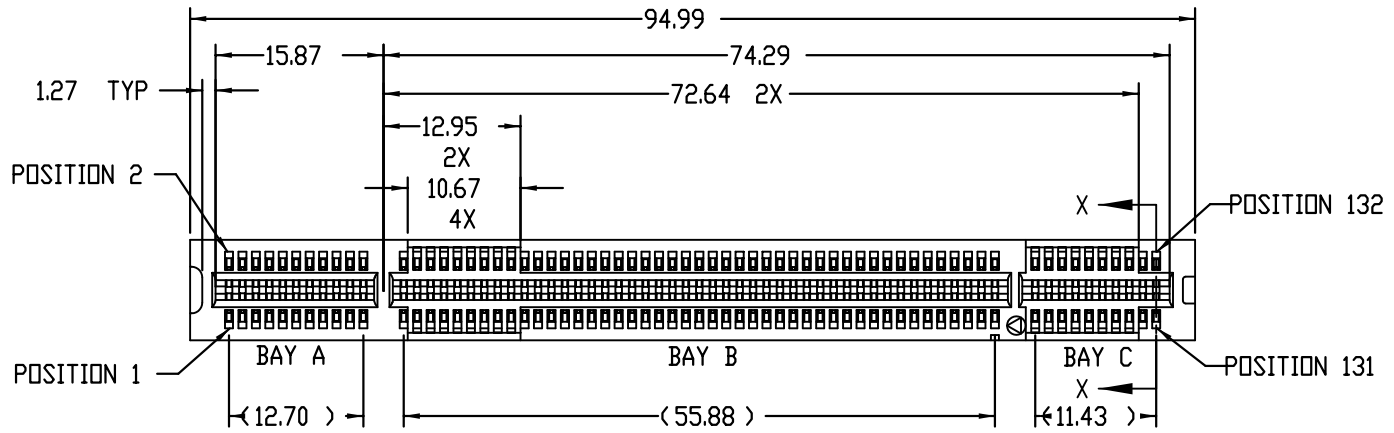


PRODUCT NUMBER
SEE TABLE

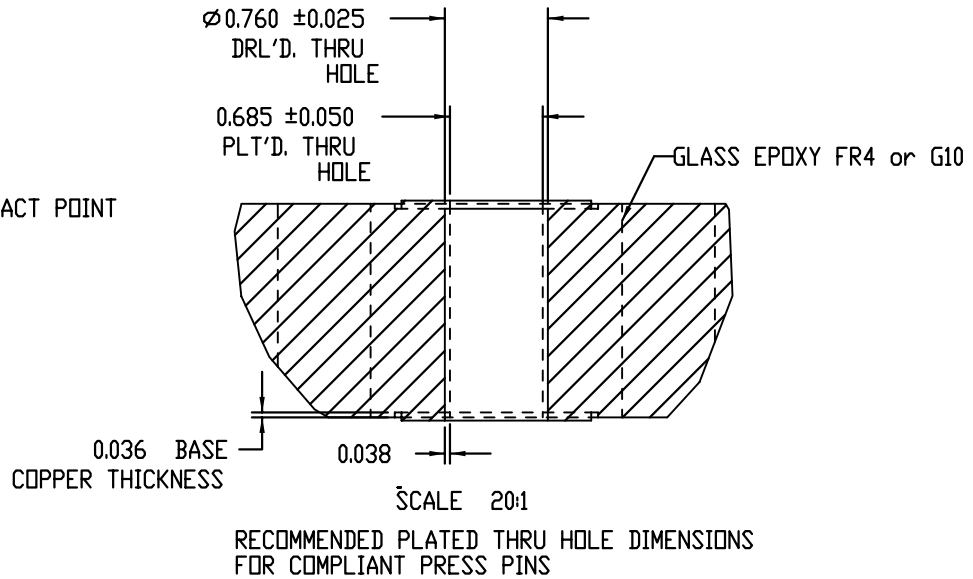
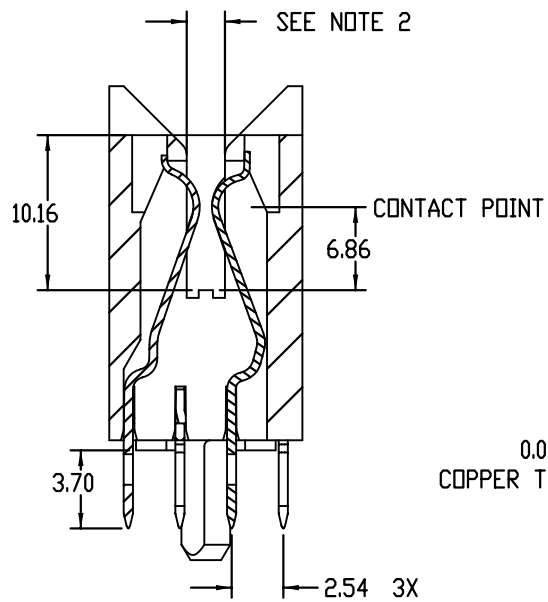


Copyright FCI

mat'l. code				surface ISO 1302	tolerance ISO 406 ISO 1101	projection MM	product family CARDEGE
ltr	ecm no	dr	date	tolerances unless otherwise specified		MM	title CEE 2X66 PF CONNECTOR ASSEMBLY
J	V11759	MEP	7/2/01	angles	linear	scale 3:2	sheet 1 of 6 size A3
K	V12247	GIP	9/18/01	0°±1'	.X±.2 .XX±.10 .XXX±.050		SE96028
L	V04-1156	TAB	12/14/04				Product Customer Drawing
M	V04-0075	ERE	04/25/05	dr	G. PETERS	9/20/01	
N	M05-0037	MHT	3/30/06	engr	D. CASEY	9/11/01	
P	M06-0234	AGS	16/15/06	chr	G. PETERS	9/20/01	
R	M08-0221	AGS	08/08/08	appd	D. CASEY	9/20/01	
sheet	revision	R	R	R	R	R	
index	sheet	1	2	3	4	5	6

form: A3

FCI CATALOG NO. F/CONNECTORS W/CARD COLLECTORS	CONNECTOR SIZE	NO. CONTACTS LOADED	TERMIN.	LOAD PATTERN	CONTACT PAIRS BAY A	CONTACT PAIRS BAY B	CONTACT PAIRS BAY C
CEE2X66PF-180PY4	2x66	132	P.F.	FULLY LOADED	11	45	10
CEE2X66PF-180PY4LF	2x66	132	P.F.	FULLY LOADED	11	45	10



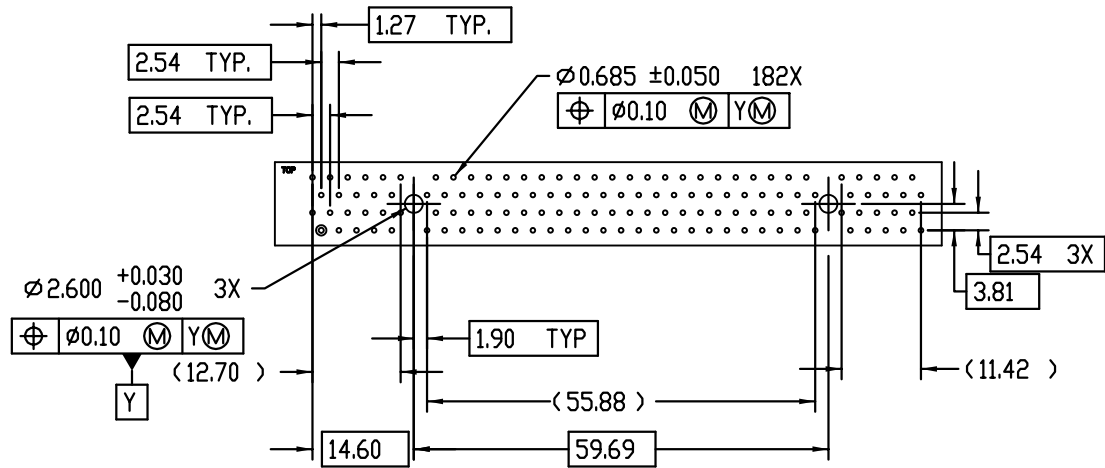
FCI
FCIconnect.com

Copyright FCI

mat'l. code		surface	tolerance	projection	product family
ISO 1302		ISO 406	ISO 1101		CARDEDGE
ltr	ecr no	dr	date	title	
R				CEE 2X66 PF CONNECTOR ASSEMBLY	
		angles	linear	MM	scale 3:1
		0°±1°	.X±.2 .XX±.10 .XXX±.050		
		dr	G. PETERS	9/20/01	dwg no
		enr	D. CASEY	9/11/01	sheet 2 of 6
		chr	G. PETERS	9/20/01	size
		appd	D. CASEY	9/20/01	A3
sheet index	revision	type Product Customer Drawing			
	sheet				

form A3

PRODUCT NUMBER
SEE TABLE



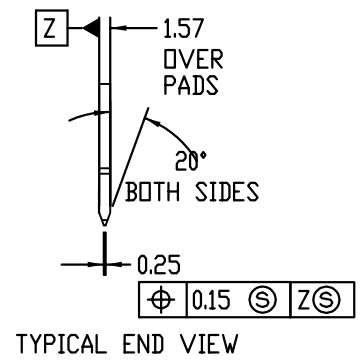
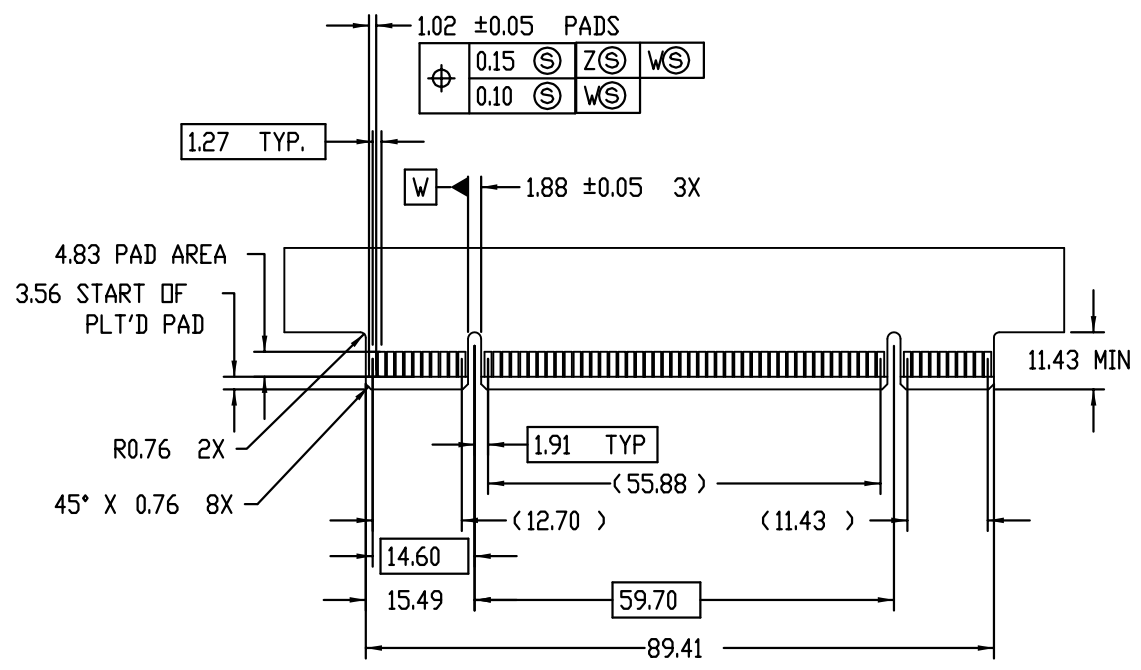
RECOMMEND BACKPLANE LAYOUT f/CEE2X66PF-180PY4 & CEE2X66PF-180PY4LF



Copyright FCJ

mat'l code		surface	tolerance	projection	product family
ISO 1302		ISO 406	ISO 1101		CARDEDGE
ltr	ecn no	dr	date	title	
R				CEE 2X66 PF CONNECTOR ASSEMBLY	
angles		linear		scale	3:2
0° ± 1°		.X ± .2	.XX ± .10	MM	
		.XXX ± .050			
dr	G. PETERS	9/20/01	FCJ		
engr	D. CASEY	9/11/01	sheet 3 of 6 size		
chr	G. PETERS	9/20/01	SE96028 A3		
appd	D. CASEY	9/20/01	type Product Customer Drawing		
sheet	revision				
index	sheet				

PRODUCT NUMBER
SEE TABLE



RECOMMENDED MATING COMPONENT PCB FOR CEE2X66PF-180PY4 & CEE2X66PF-180PY4LF



Copyright FCI

mat'l code		surface	tolerance	projection	product family
		ISO 1302	ISO 406 ISO 1101		CARDEDGE
ltr	ecn no	dr	date	title	
R				CEE 2X66 PF CONNECTOR ASSEMBLY	
		angles	linear	MM	scale 3:2
		0°±1°	.X±.2 .XX±.10 .XXX±.050		dwg no
		dr	G. PETERS	9/20/01	sheet 4 of 6 size
		enr	D. CASEY	9/11/01	SE96028
		chr	G. PETERS	9/20/01	A3
		appd	D. CASEY	9/20/01	type
					Product Customer Drawing
sheet	revision				
index	sheet				

PRODUCT NUMBER
SEE TABLE

NOTES:

1. INTERPRET THIS DRAWING IN ACCORDANCE WITH ANSI Y14.5M -1982.
- ② CONNECTORS WITH CARD COLLECTING SCOOPS ARE DESIGNED TO ACCOMMODATE 1.57+/-0.180 PC BOARDS WITH WARPAGE UP TO +/-2.03.
3. RECOMMENDED COMPONENT BOARD MATERIAL:
P.C. BOARD:FR-4 WITH 28.35 GRAMS MIN. COPPER, PADS PLATED WITH .76 MICRONS MIN GOLD, PER MIL-G-45204, TYPE 1, CLASS 1, GRADE C OVER 2.54 MICRONS MIN NI. UNDERPLATE PER QQ-N-290.
4. RECOMMENDED BACK PLANE THICKNESS IS 2.39 FOR 3.71 COMPLIANT TAIL.
5. CONTACT MATING SURFACES ARE LUBRICATED WITH OS-138.
6. MATERIAL:
 BODY: POLYPHTHALAMIDE (PPA) UL RATED 94V-0
 COLOR, BLACK

 CONTACTS: PHOS BRONZE

 CONTACT FINISH:
 MAYBE BE EITHER 30μ*(0.76μm) GOLD OR 30μ*(0.76μm) GXT PLATED AT MANUFACTURER'S OPTION IN CRITICAL CONTACT AREA.
 1-3μm (39-118μ") TIN-LEAD OVER 1.27μm(50μ") NI UNDERPLATE ON CONTACT TAILS.

LEAD FREE OPTION:
 MAYBE BE EITHER 30μ*(0.76μm) GOLD OR 30μ*(0.76μm) GXT PLATED AT MANUFACTURER'S OPTION IN CRITICAL CONTACT AREA.
 1-3μm (39-118μ") PURE TIN OVER 1.27μm(50μ") NI UNDERPLATE ON CONTACT TAILS.
7. PERFORMANCE CHARACTERISTICS: SEE SHEET 7.
8. APPLICATION SPECIFICATION PER BUS-09-026.
9. ITEM NAME, LOGO, PART NUMBER, DATE CODE, AND UL SYMBOLS TO BE DISPLAYED IN THIS AREA.
- ⑩ LF SUFFIX AT THE END OF PART NUMBER IS LEAD FREE.
- ⑪ THIS PRODUCT MEETS EUROPEAN UNION DIRECTIVES AND OTHER COUNTRY REGULATION AS DESCRIBED IN GS-22-008.



Copyright FCI

mat'l. code		surface ISO 1302		tolerance ISO 406 ISO 1101		projection 		product family CARDEGE	
ltr	ec'n no	dr	date	tolerances unless otherwise specified		title		sheet 5 of 6 size	
R				angles	linear	MM		CEE 2X66 PF CONNECTOR ASSEMBLY	
				0°±1°		scale 1:2		dwg no SE96028 A3	
				dr	G. PETERS	9/20/01		type Product Customer Drawing	
				enr	D. CASEY	9/11/01			
				chr	G. PETERS	9/20/01			
				appd	D. CASEY	9/20/01			
sheet index	revision sheet								

PRODUCT NUMBER
SEE TABLE

PERFORMANCE CHARACTERISTICS:

ENVIRONMENTAL:

OPERATING TEMPERATURE: -40C TO 105C
THERMAL SHOCK: MIL-STD-1344, METHOD 1003.1-55C TO +85C, 5 CYCLES)

FLAMABILITY RATING: UL94V-0

MECHANICAL:

DURABILITY: 100 MATING CYCLES WITHOUT PHYSICAL DAMAGE, OR EXCEEDING LOW LEVEL CONTACT RESISTANCE REQUIREMENTS WHEN MATED WITH RECOMMENDED CARD.

CONTACT RETENTION: MIL-STD-1344, METHOD 2007.1, 4.4 N MIN.

MATING FORCE: MIL-STD-1344, METHOD 2013.1 2.0 N MAX. AVERAGE PER OPPOSING PAIR USING GAUGE PER MIL-STD-C-21097 WITH CARD PROFILE

CONTACT NORMAL FORCE: 0.72 N MINIMUM

PRESS FIT TERMINATION FORCES: INSERTION FORCE 70 N MAX. PER PIN
RETENTION FORCE 9 N MIN. PER PIN

ELECTRICAL:

CONTACT RESISTANCE: MIL-STD-1344, METHOD 3002-1, WITH 10 MILLIOHM MAX. INITIAL, 20 (LOW SIGNAL LEVEL) MILLIOHM RISE. COMPONENT BOARD SIDE - 1 MILLIOHM MAX., CONNECTION PRESS FIT PIN WITH w/PLATED THROUGH HOLE.

INSULATION RESISTANCE: MIL-STD-202, METHOD 302, CONDITION B, 1000 MEGOHMS MIN.

DIELECTRIC WITHSTAND VOLTAGE: MIL-STD-1344, METHOD D3001.1 CONDITION 1, 500 VAC RM

CAPACITANCE: 2 PICROFARADS, MAX AT 1 MEGAHERTZ

CURRENT RATING: 1 AMP, 30C RISE ABOVE AMBIENT

VOLTAGE RATING: 150 VAC (RMS)



Copyright FCJ

mat'l. code		surface ISO 1302	tolerance ISO 406 ISO 1101	projection 	product family CARDEDGE
ltr	ecrn no	dr	date	tolerances unless otherwise specified	title
R				angles linear 0°±1°	CEE 2X66 PF CONNECTOR ASSEMBLY
				.X±.2 .XX±.10 .XXX±.050	MM scale 1:2
dr				G. PETERS 9/20/01	dwg no sheet 6 of 6 size
engr				D. CASEY 9/11/01	SE96028 A3
chr				G. PETERS 9/20/01	type Product Customer Drawing
appd				D. CASEY 9/20/01	
sheet index	revision sheet				