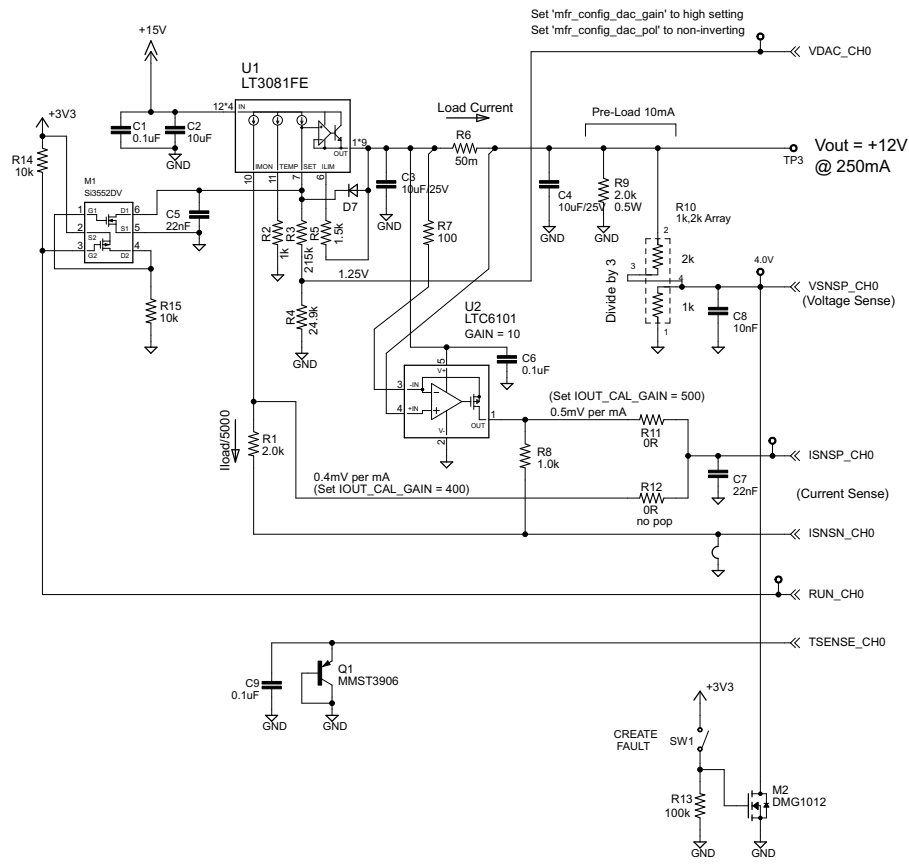
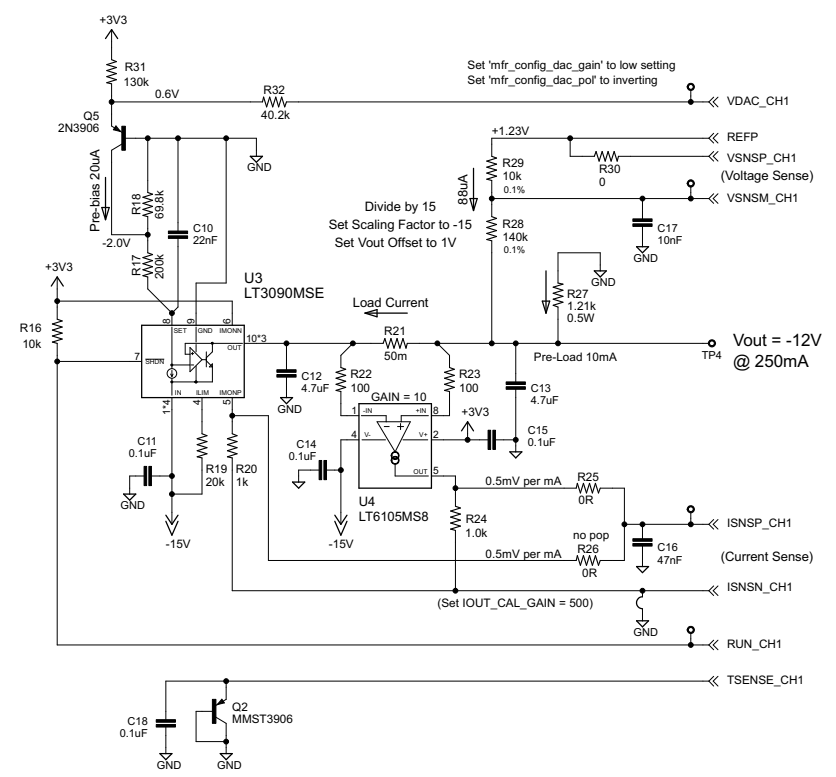


REVISION HISTORY				
ECO	REV	DESCRIPTION	APPROVED	DATE


CH 0: LT3081 +12V Supply



CH 1: LT3090 -12V Supply

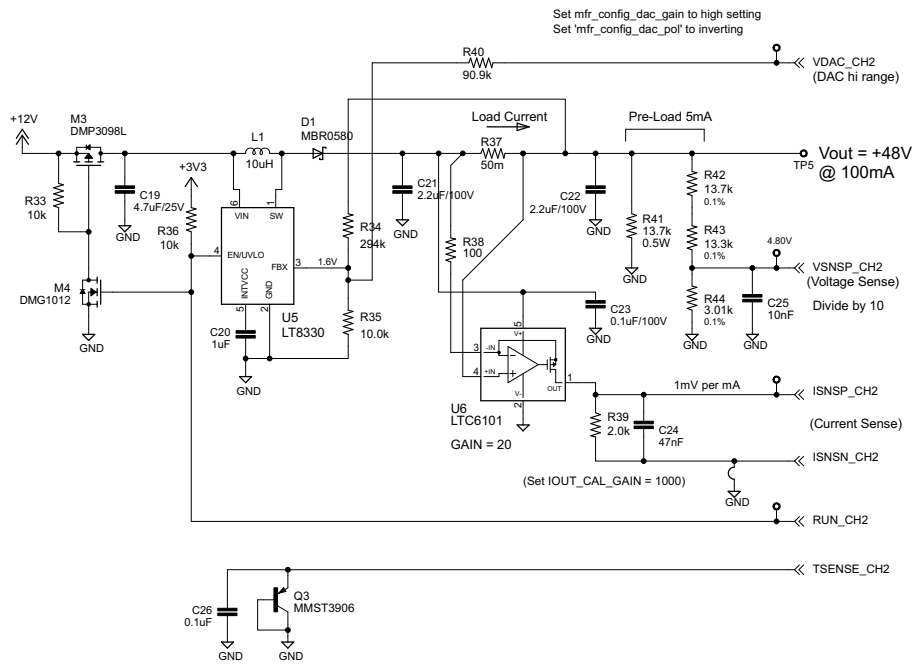


NOTE: UNLESS OTHERWISE SPECIFIED
1. All resistors are 1% tolerance

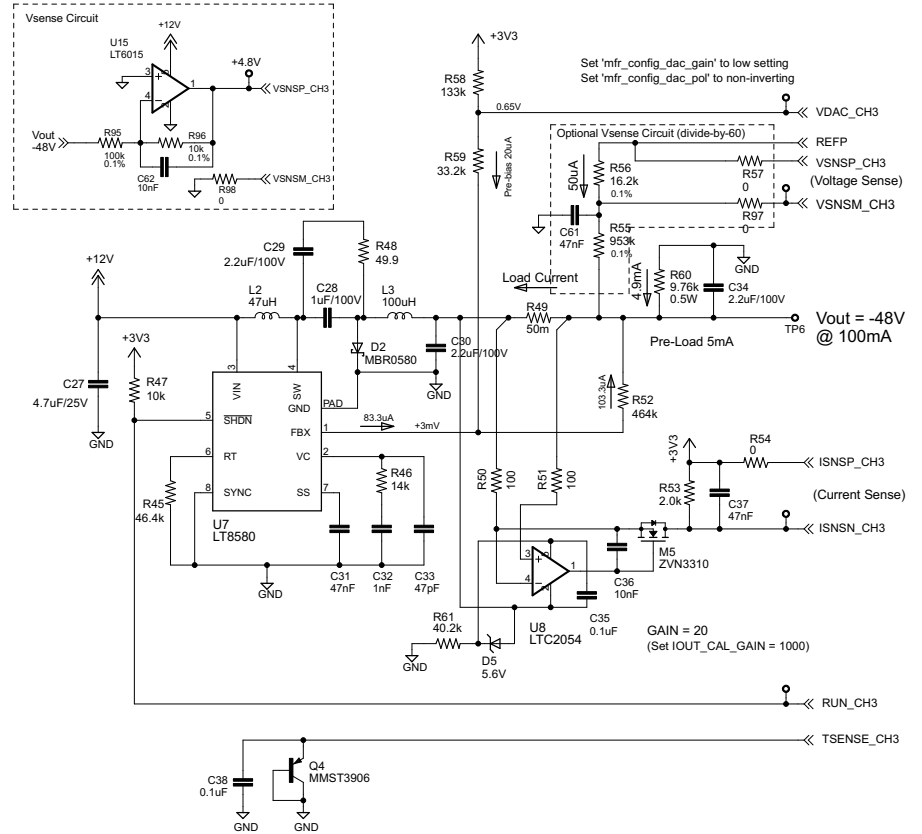
APPROVALS		 <small>1530 McCarthy Blvd. Milpitas, CA 95035 Phone (408) 432-1980 Fax (408) 434-9957 www.linear.com</small>	<small>LTC CONFIDENTIAL FOR CUSTOMER USE ONLY</small>
PCB DES.	MIKE P.		
APP ENG.	MIKE P.	SCALE = NONE	DATE: 1/3/2017 12:11:41 PM SHEET: 1/4

REVISION HISTORY				
ECO	REV	DESCRIPTION	APPROVED	DATE

CH 2: LT8330 +48V Supply



CH 3: LT8580 -48V Supply



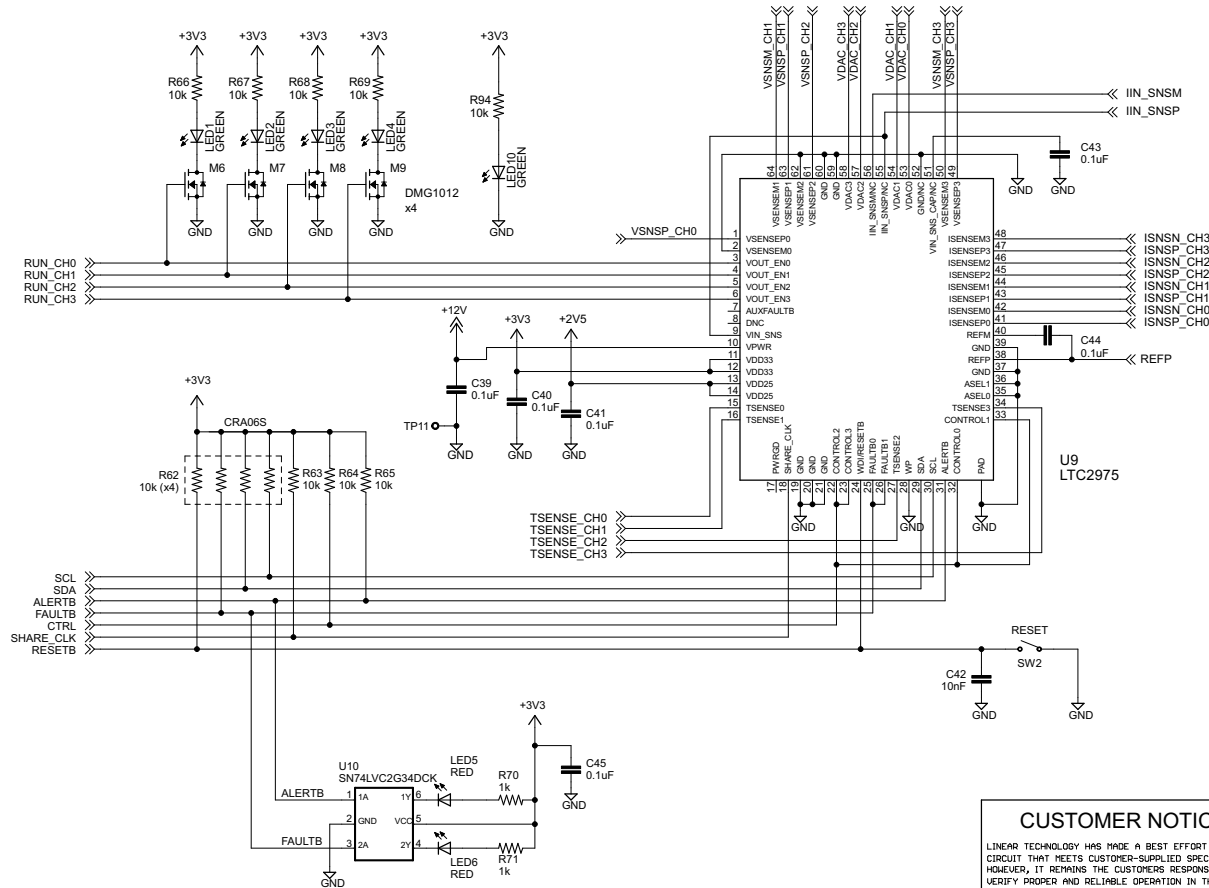
NOTE: UNLESS OTHERWISE SPECIFIED
1. All resistors are 1% tolerance


CUSTOMER NOTICE		APPROVALS			1630 McCarthy Blvd. Milpitas, CA 95035 Phone: (408) 432-1980 Fax: (408) 434-9957 www.linear.com	LTC CONFIDENTIAL FOR CUSTOMER USE ONLY
LINEAR TECHNOLOGY HAS MADE A BEST EFFORT TO DESIGN A CIRCUIT THAT MEETS CUSTOMER-SUPPLIED SPECIFICATIONS; HOWEVER, IT REMAINS THE CUSTOMER'S RESPONSIBILITY TO VERIFY PROPER AND RELIABLE OPERATION IN THE ACTUAL APPLICATION. COMPONENT SUBSTITUTION AND PRINTED CIRCUIT BOARD LAYOUT MAY SIGNIFICANTLY AFFECT CIRCUIT PERFORMANCE OR RELIABILITY. CONTACT LINEAR TECHNOLOGY APPLICATIONS ENGINEERING FOR ASSISTANCE.	THIS CIRCUIT IS PROPRIETARY TO LINEAR TECHNOLOGY AND SUPPLIED FOR USE WITH LINEAR TECHNOLOGY PARTS.	PCB DES.	MIKE P.			
		APP ENG.	MIKE P.	SIZE	IC NO. LTC2975	REV:
				B	DEMO CIRCUIT 2518A	1
		SCALE = NONE		DATE:	1/3/2017 12:11:41 PM	SHEET: 2/4

REVISION HISTORY			
ECO	REV	DESCRIPTION	DATE

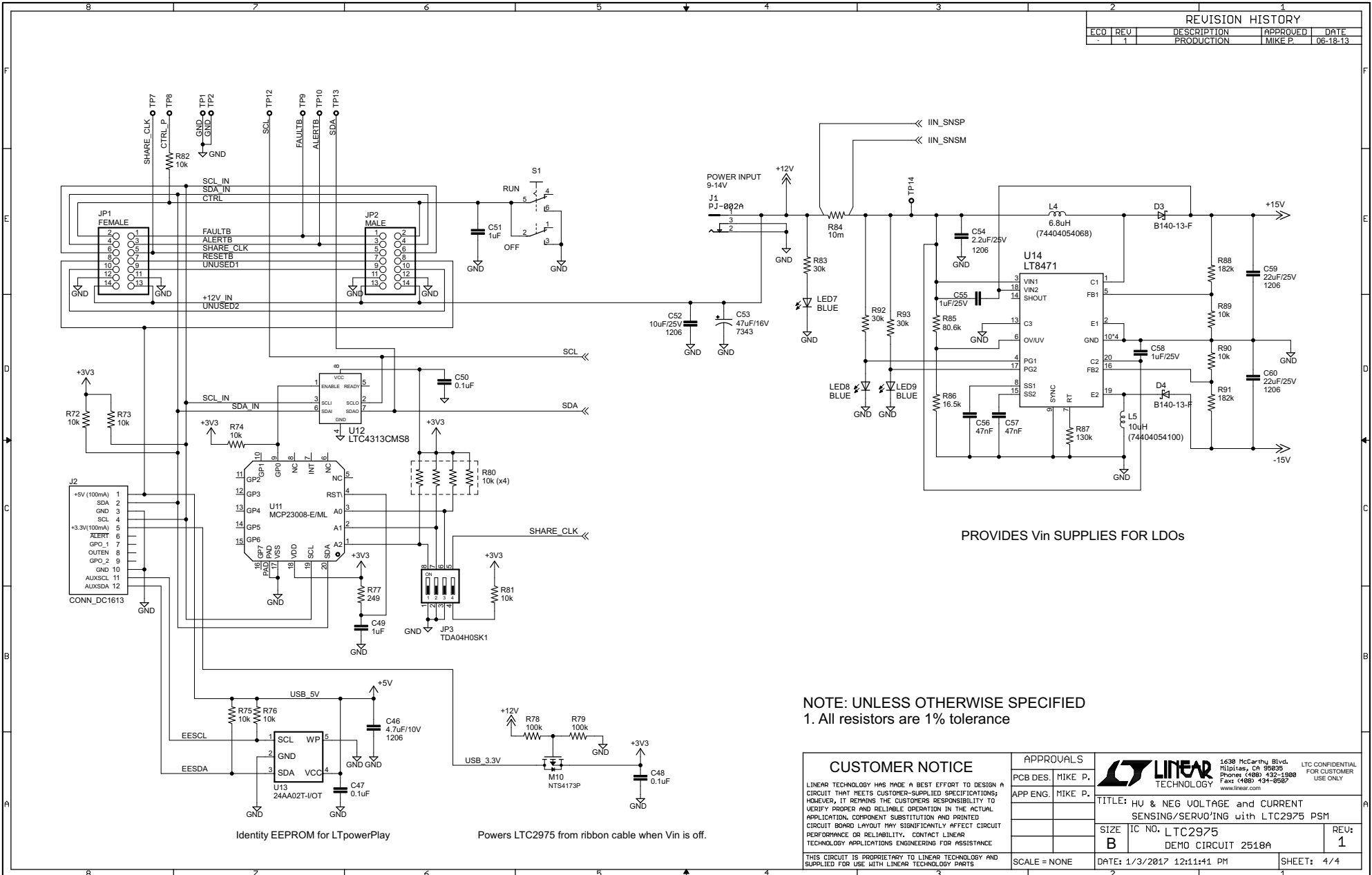
LTC2975
4-CHANNEL POWER SYSTEM MANAGER
FEATURING ACCURATE INPUT & OUTPUT CURRENT MEASUREMENT
AND ACCURATE ENERGY MEASUREMENT

NOTE: UNLESS OTHERWISE SPECIFIED
 1. All resistors are 1% tolerance



CUSTOMER NOTICE		APPROVALS		 1630 McCarthy Blvd. Milpitas, CA 95035 Phone (408) 432-1900 Fax (408) 434-9967 www.linear.com	LTC CONFIDENTIAL FOR CUSTOMER USE ONLY
LINEAR TECHNOLOGY HAS MADE A BEST EFFORT TO DESIGN A CIRCUIT THAT MEETS CUSTOMER-SUPPLIED SPECIFICATIONS; HOWEVER, IT REMAINS THE CUSTOMER'S RESPONSIBILITY TO VERIFY PROPER AND RELIABLE OPERATION IN THE ACTUAL APPLICATION. COMPONENT SUBSTITUTION AND PRINTED CIRCUIT BOARD LAYOUT MAY SIGNIFICANTLY AFFECT CIRCUIT PERFORMANCE OR RELIABILITY. CONTACT LINEAR TECHNOLOGY APPLICATIONS ENGINEERING FOR ASSISTANCE. THIS CIRCUIT IS PROPRIETARY TO LINEAR TECHNOLOGY AND SUPPLIED FOR USE WITH LINEAR TECHNOLOGY PARTS.		PCB DES. MIKE P.	APP ENG. MIKE P.		
SCALE = NONE		DATE: 1/3/2017 12:11:41 PM		SHEET: 3/4	

REVISION HISTORY				
ECO	REU	DESCRIPTION	APPROVED	DATE
-	1	PRODUCTION	MIKE P.	06-18-13



PROVIDES Vin SUPPLIES FOR LDOs

NOTE: UNLESS OTHERWISE SPECIFIED
1. All resistors are 1% tolerance

Identify EEPROM for LTPowerPlay

Powers LTC2975 from ribbon cable when Vin is off.

CUSTOMER NOTICE		APPROVALS			1530 McCarty Blvd. Milpitas, CA 95035 Phone (408) 432-1980 Fax (408) 434-9957 www.linear.com	LTC CONFIDENTIAL FOR CUSTOMER USE ONLY
LINEAR TECHNOLOGY HAS MADE A BEST EFFORT TO DESIGN A CIRCUIT THAT MEETS CUSTOMER-SUPPLIED SPECIFICATIONS; HOWEVER, IT REMAINS THE CUSTOMER'S RESPONSIBILITY TO VERIFY PROPER AND RELIABLE OPERATION IN THE ACTUAL APPLICATION. COMPONENT SUBSTITUTION AND PRINTED CIRCUIT BOARD LAYOUT MAY SIGNIFICANTLY AFFECT CIRCUIT PERFORMANCE OR RELIABILITY. CONTACT LINEAR TECHNOLOGY APPLICATIONS ENGINEERING FOR ASSISTANCE.		PCB DES.	MIKE P.			
		APP ENG.	MIKE P.	SIZE	IC NO. LTC2975	REV: 1
				B	DEMO CIRCUIT 2518A	1
THIS CIRCUIT IS PROPRIETARY TO LINEAR TECHNOLOGY AND SUPPLIED FOR USE WITH LINEAR TECHNOLOGY PARTS		SCALE = NONE	DATE: 1/3/2017 12:11:41 PM	SHEET: 4/4		