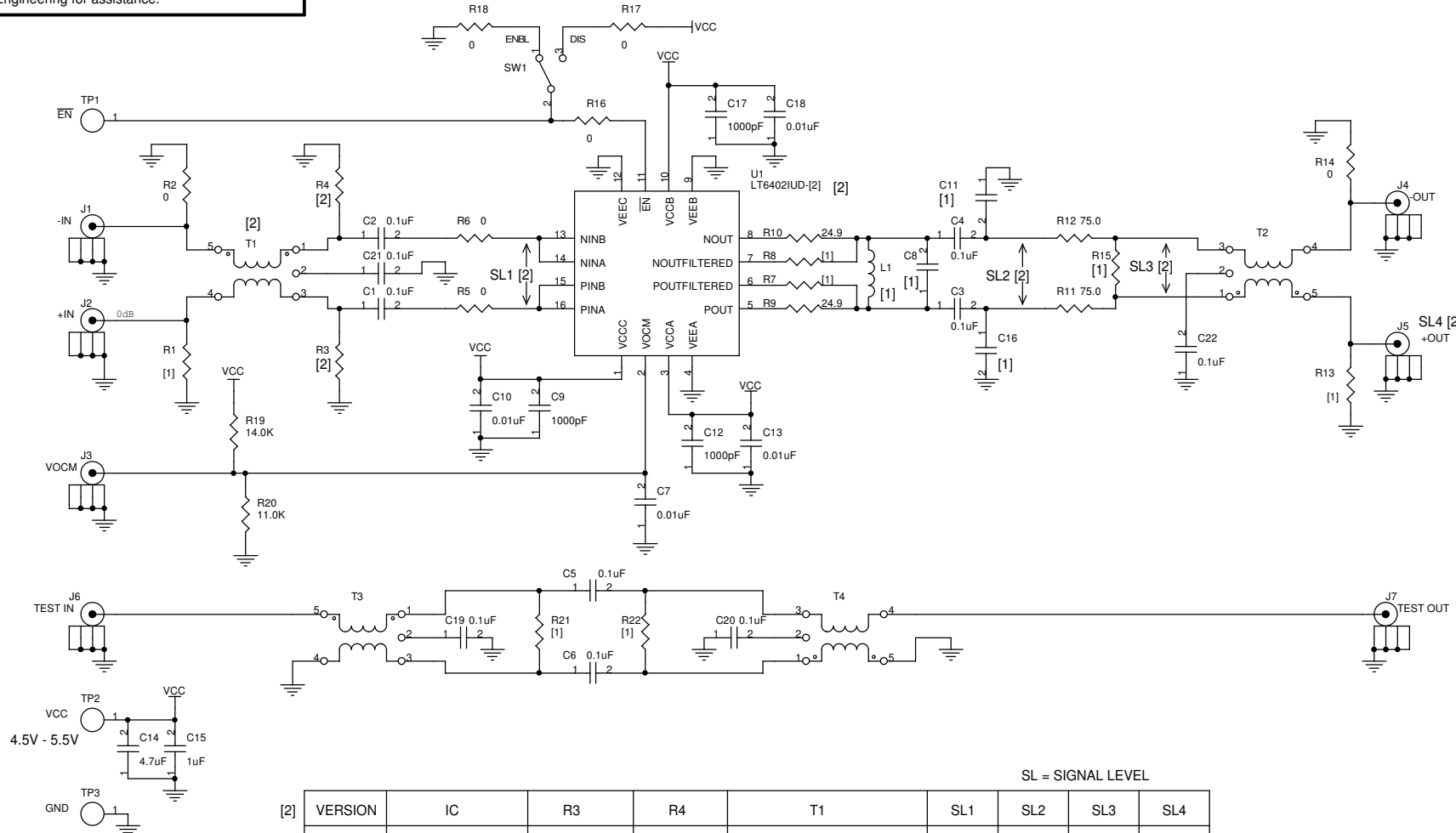


REVISION HISTORY				
ECO	REV	DESCRIPTION	DATE	APPROVED
	1	PROD	08/26/05	

This circuit is proprietary to Linear Technology and supplied for use with Linear Technology parts.  
**Customer Notice:** Linear Technology has made a best effort to design a circuit that meets customer-supplied specifications; however, it remains the customers responsibility to verify proper and reliable operation in the actual application. Component substitution and printed circuit board layout may significantly affect circuit performance or reliability. Contact Linear Applications Engineering for assistance.



SL = SIGNAL LEVEL

[2]	VERSION	IC	R3	R4	T1	SL1	SL2	SL3	SL4
-A		LT6402IUD-6	33.2 OHMS	33.2 OHMS	MA/COM ETC1-1-13 (1:1)	+0dB	+4.8dB	+0dB	-6dB
-B		LT6402IUD-12	49.9 OHMS	49.9 OHMS	MA/COM ETC1-1-13 (1:1)	+0dB	+10.8dB	+6dB	+0dB
-C		LT6402IUD-20	OPEN	OPEN	MINI-CIRCUITS TC2-IT+	+3dB	+21.8dB	+17dB	+11dB

NOTES: UNLESS OTHERWISE SPECIFIED,  
 [1] DO NOT STUFF.

UNLESS OTHERWISE SPECIFIED  
 DIMENSIONS ARE IN INCHES  
 TOLERANCE ON ANGLE - - -  
 2 PLACES - - - 3 PLACES - - -  
 INTERPRET DIM AND TOL  
 PER ASME Y14.5M -1994

CONTRACT NO.

APPROVALS	DATE
DRAWN MEI	08-26-05
CHECKED	
APPROVED	
ENGINEER	
DESIGNER	

THIRD ANGLE PROJECTION

DO NOT SCALE DRAWING

Thursday, February 16, 2006

1630 McCarthy Blvd.  
 Milpitas, CA 95035  
 Phone: (408)432-1900  
 Fax: (408)434-0307

TITLE  
**SCH, LT6402IUD-X, ADC DRIVER**

SIZE	CAGE CODE	DWG NO	REV
		<b>DC954A</b>	<b>1</b>

SCALE: NONE    FILENAME: 954A-1.dsn    SHEET 1 OF 1