

## PLS-041A-3PPI

## PLS-041A-3PPI

Standard Level Sensor



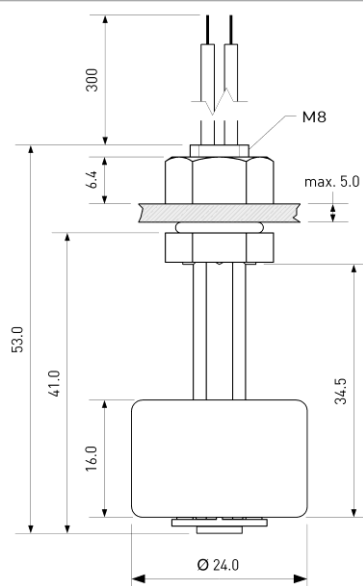
Electrical Characteristics		@ 25 °C
Contact form		A
Contact rating max.	W / VA	10
Switching voltage max.	VDC	200
	VAC	140
Switching current max.	A	1
Carry current max.	A	1.2
Breakdown voltage min.	VDC	240
Total resistance max.	mΩ	280

Environmental Characteristics		
Operating temperature	°C	-20 to +80
Storage temperature	°C	-30 to +80

Mechanical Characteristics		
Density of float typ.*	g / cm <sup>3</sup>	0.7
Recommended minimum gravity of medium	g / cm <sup>3</sup>	Density of float + 20%

\* in delivery condition

### Dimensions in mm



Features
<ul style="list-style-type: none"> <li>➤ Polypropylene housing</li> <li>➤ FDA test passed</li> <li>➤ Covers a wide range of applications</li> <li>➤ Customized types available</li> </ul>

Approvals

Ordering Information		
Packing Unit	10	pcs
Weight per piece	11	g
Weight per package	118	g

© PIC GmbH

PLS-041A-3PPI



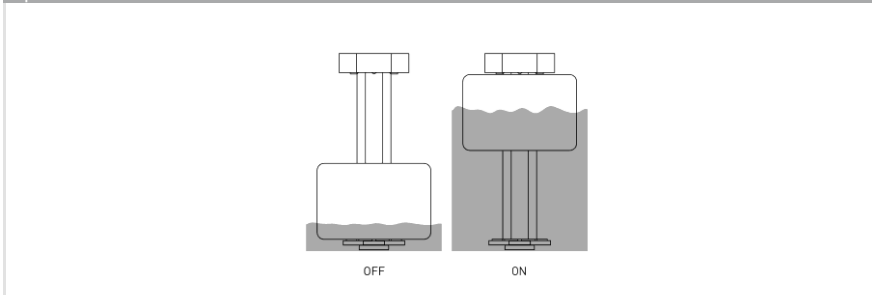
**PLS-041A-3PPI**

Standard Level Sensor

Material Information

	Material	Colour
Housing	PP	white
Cable	UL 1007, AWG 24, 4 mm stripped and tinned	white
Nuts	PA66, M8, 1 pc preassembled	white
Float	PP foam	white
Potting	PU / Epoxy	black
Sealing ring	Silicone	white

Operation View

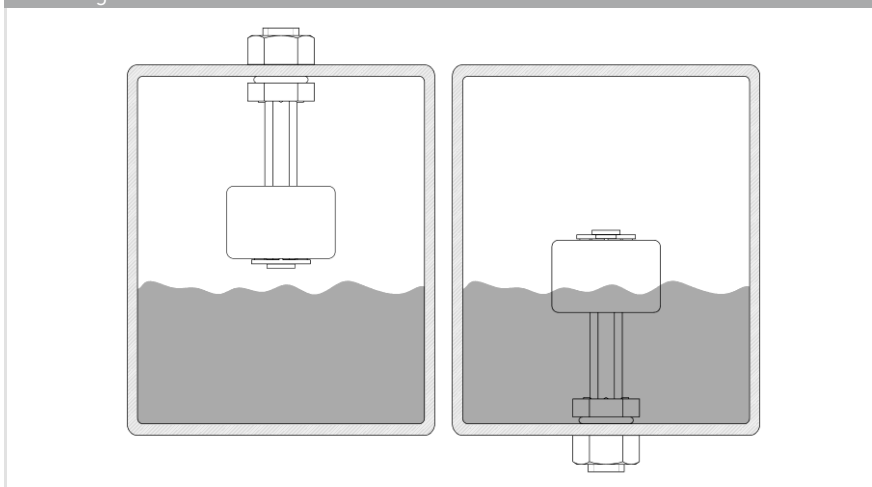


Remarks

When mounted near ferromagnetic parts switching distance of PLS-041A-3PPI may vary.

Electromagnetical influences and magnetic fields may change the switching behaviour of the Level Sensor.

Mounting



When mounted stem up, operating functions are reversed.