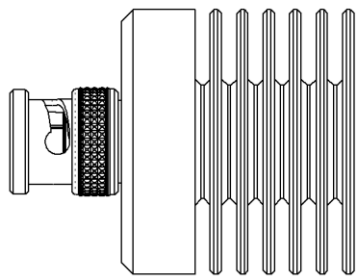
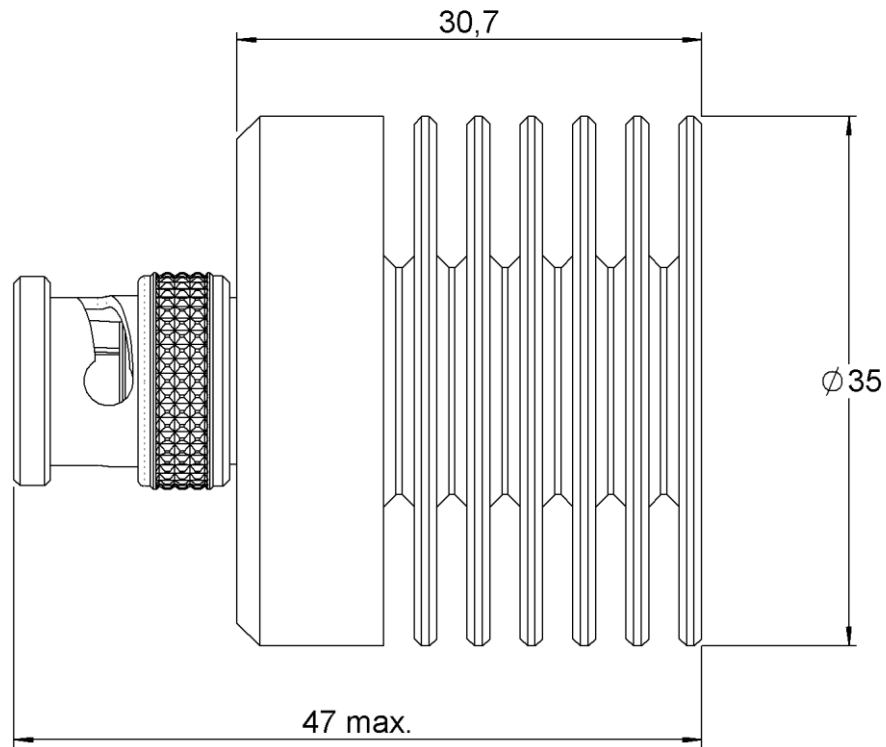


PAGE 1/2	ISSUE <b>06-07-18A</b>	SERIES <b>TERMINATION</b>	PART NUMBER <b>R404560000</b>
----------	------------------------	------------------------------	-------------------------------



SCALE 1:1

All dimensions are in mm. Tolerances according ISO 2768 m-H



COMPONENTS	MATERIALS	PLATING (µm)
Body	<b>BRASS</b>	<b>NICKEL 5</b>
Center contact	<b>BRASS</b>	<b>GOLD 2.5 OVER NICKEL 1</b>
Outer contact		
Insulator	<b>PTFE</b>	
Gasket	<b>SILICONE RUBBER</b>	
Substrate	<b>ALUMINA</b>	
Resistor	<b>THICK FILM</b>	
Others parts	<b>ALUMINIUM</b>	<b>BLACK ANODIZATION</b>

PAGE 2/2	ISSUE <b>06-07-18A</b>	SERIES <b>TERMINATION</b>	PART NUMBER <b>R404560000</b>
----------	------------------------	------------------------------	-------------------------------

**ELECTRICAL CHARACTERISTICS**

Frequency (GHz)	<b>DC - 2</b>	<b>2 - 4</b>	<b>4 - 8</b>
V.S.W.R (≤)	<b>1.10</b>	<b>1.15</b>	<b>1.25</b>

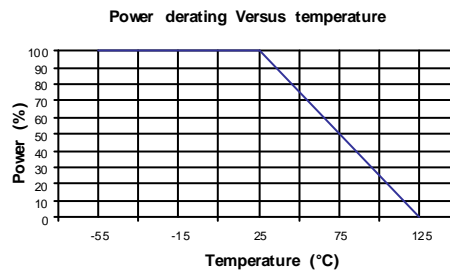
Operating Frequency Range	<b>DC - 8</b>	GHz
Impedance	<b>50</b>	Ω
DC Resistance	<b>50</b>	Ω ± 5%
Peak power at 25°C (1μs, 1%)	<b>4000</b>	W
Average power at 25°C	<b>12</b>	W (Free Air Cooled)
		W (Conduction Cooled)

**MECHANICAL CHARACTERISTICS**

Connectors	<b>BNC</b>	<b>MALE</b>	<b>MIL C 39012</b>
Weight	<b>63,1500</b> g		

**ENVIRONMENTAL CHARACTERISTICS**

Operating temperature range	<b>-55 /+125</b>	°C
Storage temperature range	<b>-55 /+125</b>	°C



**SPECIFICATION**

**OTHER CHARACTERISTICS**