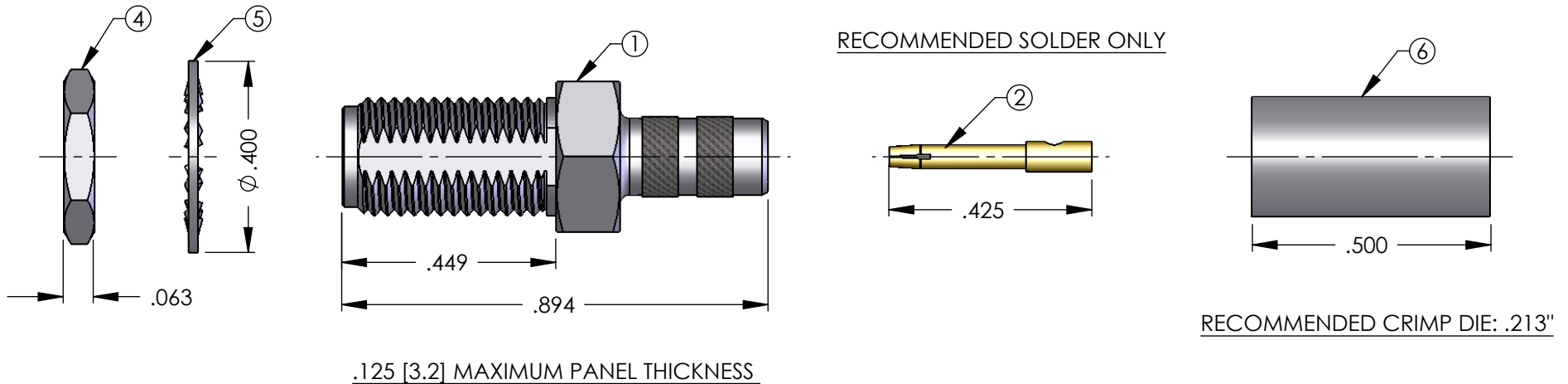
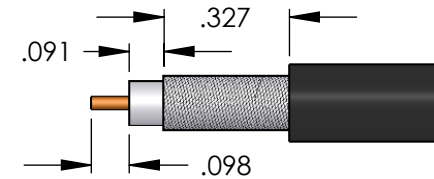
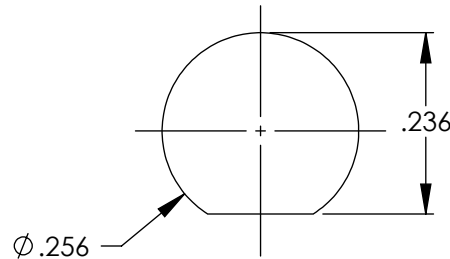


# RSA-3252-C1

|     |                           |          |      |
|-----|---------------------------|----------|------|
| REV | DESCRIPTION               | DATE     | APPR |
| C   | UPDATED DRAWING AND SPECS | 03/21/07 | JDM  |



**SPECIFICATIONS:**  
 IMPEDANCE: 50 Ohms  
 FREQUENCY RANGE: 0-12.4 GHz  
 WORKING VOLTAGE: 500 V rms Max. @ Sea Level  
 INSULATION RESISTANCE: 5k M Ohms min.  
 TEMPERATURE RANGE: -65°C TO 165°C  
 FOR RG-55, 55A, 55B, 142, 142A, 142B, 223 & 400/U,  
 ALPHA 9055, 9055B, 9223, BELDEN 8219, 83242, 84142



**RECOMMENDED STRIPPING INSTRUCTIONS**

NTS

|   |             |                   |  |          |        |                  |                                |                 |
|---|-------------|-------------------|--|----------|--------|------------------|--------------------------------|-----------------|
| <b>ROHS</b><br>COMPLIANT                                | NAME        | DATE              | <b>RF INDUSTRIES</b><br>SAN DIEGO, CA.. 7610 MIRAMAR RD. 92126<br>858-549-6340 FAX 858-549-6345  |          |        |                  |                                |                 |
|   | DRAWN       | C. ZUNIGA 3/26/07 |  |          |        |                  |                                |                 |
|   | CHECKED     |                   |  |          |        |                  |                                |                 |
|   | ENG APPR.   |                   |  |          |        |                  |                                |                 |
| UNLESS OTHERWISE SPECIFIED:<br>DIMENSIONS ARE IN INCHES |             |                   | TITLE:<br><b>SMA JACK, CRIMP<br/>BULKHEAD</b>  |          |        |                  |                                |                 |
| ALL DIMENSIONS ARE FOR<br>REFERENCE ONLY                |             |                   |  |          |        |                  |                                |                 |
| CABLE GROUP<br><b>C1</b>                                |             |                   |  |          |        |                  |                                |                 |
| ID<br><b>000000</b>                                     |             |                   | THE INFORMATION CONTAINED IN<br>THIS DRAWING IS THE SOLE<br>PROPERTY OF<br>RF INDUSTRIES. ANY<br>REPRODUCTION IN<br>PART OR AS A WHOLE WITHOUT THE<br>WRITTEN PERMISSION OF RF<br>INDUSTRIES IS STRICTLY PROHIBITED. |          |        |                  |                                |                 |
| ITEM #  | PART NUMBER | QTY.              | DESCRIPTION  | MATERIAL | FINISH | SIZE<br><b>A</b> | DWG. NO.<br><b>RSA-3252-C1</b> | REV<br><b>C</b> |
| SCALE: NTS  |             |                   |  |          |        |                  | NOTES:                         | SHEET 1 OF 1    |