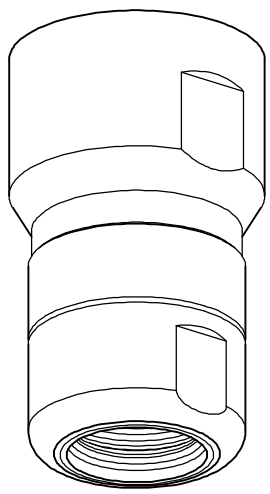
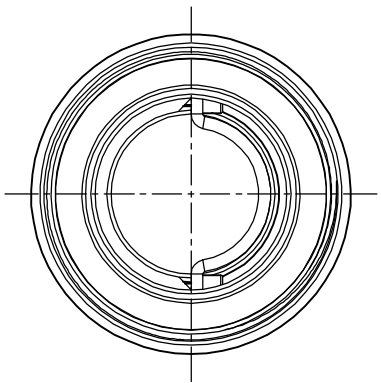
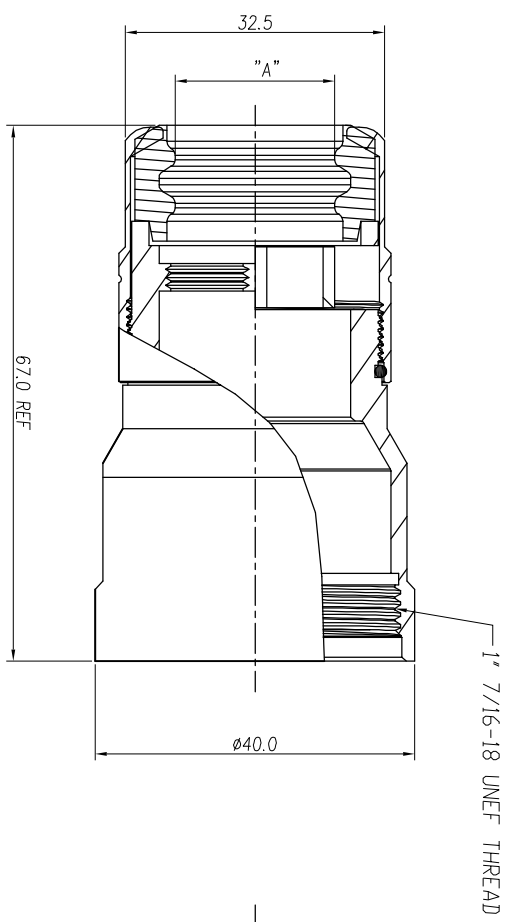


| REVISIONS | | | | | |
|-----------|-----|------------------------|-------------|-----|-------|
| REV | ECO | DESCRIPTION | DATE | BY | APPR |
| A1 | - | RELEASE NEW DWG FORMAT | 15-SEP-2015 | BEN | TOMMY |



| | | |
|---------------|----------------|----------------|
| P/N | Dimension "A " | Cable OD Range |
| RT0L-24CPG-S1 | Ø20.0 mm | 20.5~22.5 mm |

- NOTES: UNLESS OTHERWISE SPECIFIED
- MATERIAL:
NUT: ZINC DIE CAST OR AL ALLOY, NICKEL PLATED.
SEAL: SILICONE RUBBER
HOUSING BODY: ZINC DIE CAST OR AL ALLOY, NICKEL PLATED
 - SPECIFICATIONS:
2.1 DEGREE OF PROTECTION: IP67 (MATED CONDITION)
2.2 RoHS COMPLIANT
 - ALL DIMENSIONS ARE FOR REFERENCE USE ONLY.

| QUANTITY | SEE PART NUMBER CHART | PART NUMBER | DESCRIPTION | ITEM |
|--|-----------------------|-------------------|-----------------------|------|
| | | | MATERIALS LIST | |
| UNLESS OTHERWISE SPECIFIED | | | | |
| 1) All dimensions are in millimeters. | | | | |
| 2) Dimensions are as follows: ±0.15/±0.1/±0.05/±0.02/±0.01 | | | | |
| 3) PL: DEC 30-15 Angles: 30° | | | | |
| 4) Note reference = X | | | | |
| MATERIAL SPECIFICATIONS: | | | | |
| CUSTOMER: | | | | |
| THESE DRAWINGS ARE SUBJECT TO THE FOLLOWING CONDITIONS: DRAWING IS SHOWN FOR INFORMATION ONLY. DESIGN FEATURES, SPECIFICATIONS AND PERFORMANCE DATA ARE SUBJECT TO CHANGE WITHOUT NOTICE. THE APPLICABLE CORRECTION, IN THE EVENT OF A DISCREPANCY, SHALL BE THE LATEST MANUFACTURING VARIATION. | | | | |
| PROCESS SPECIFICATIONS: | | | | |
| NEXT ASST: | | | | |
| DRAWN BY: BEN | | DATE: 15-SEP-2015 | | |
| CHECKED: | | ENGINEER: | | |
| APPROVAL: | | CUSTOMER: | | |
| ECO-MATE CORD GRIP, SIZE 24 | | | | |
| Shine Systems - www.amphenol-shine.com | | | | |
| 44724 Motley Drive | | | | |
| Clinton Township, MI 48038 | | | | |
| SIZE | TYPE | DWG NO. | REVISION | |
| A1 | B | RT0L-24CPG-S1 | A1 | |
| DRG NO: | SCALE | SHEET | OF | |
| RT0L-24CPG-S1 | NONE | 1 | 1 | |