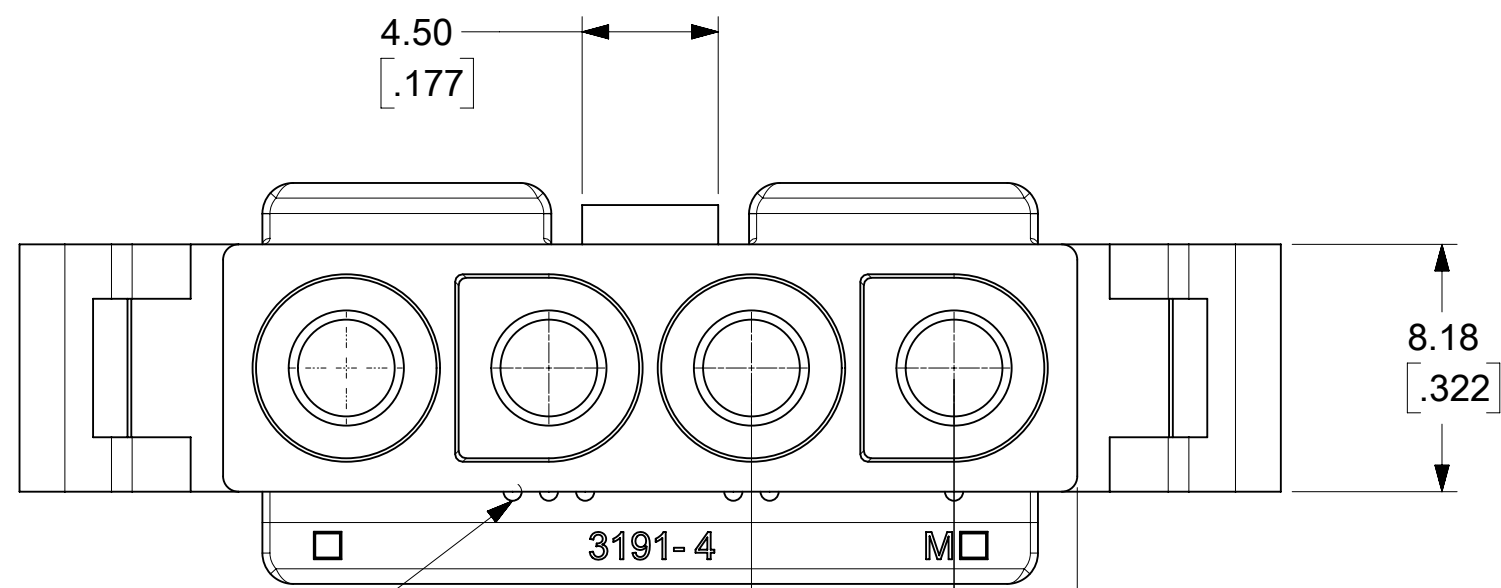


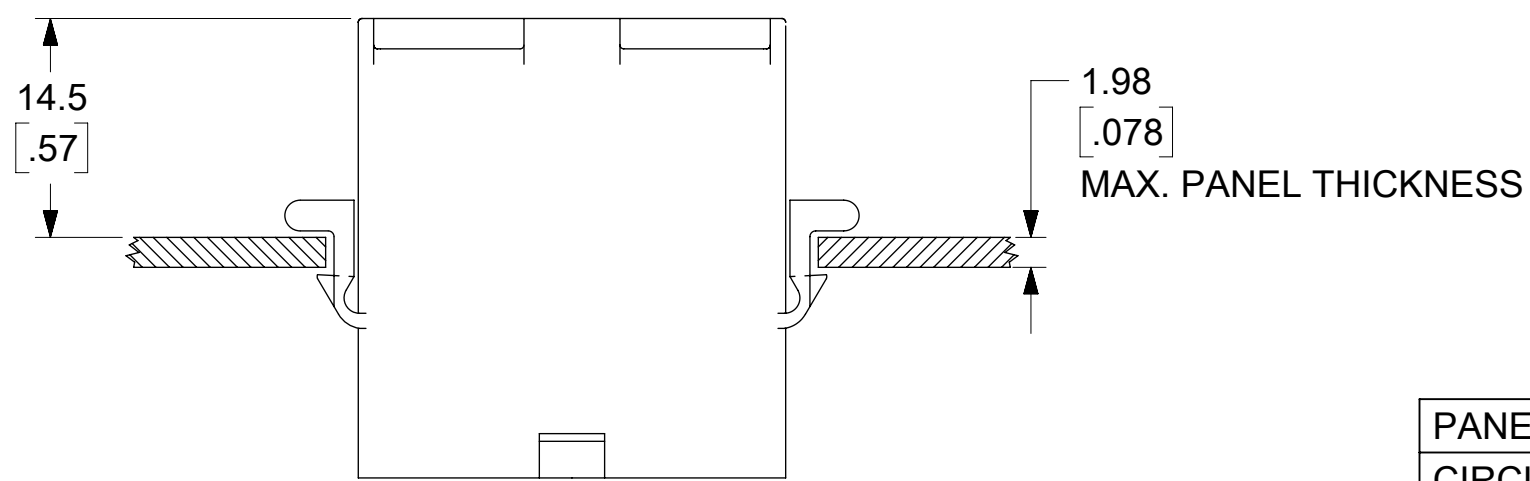
(SHOWN WITH OPTIONAL MOUNTING EARS)

PLUG

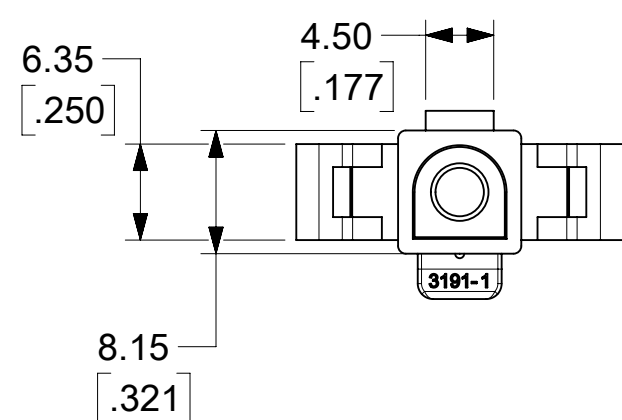
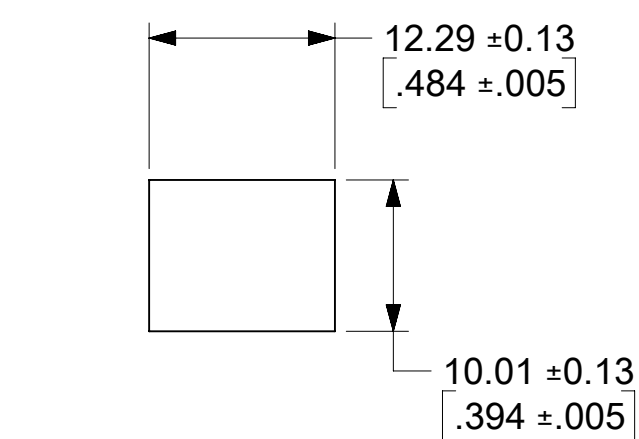
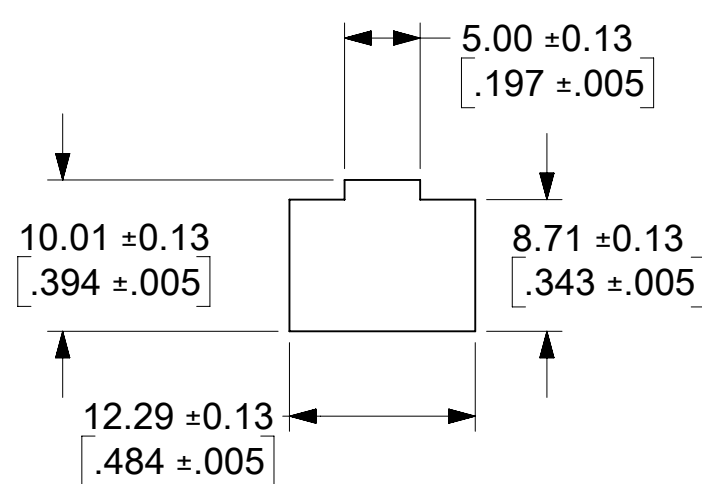
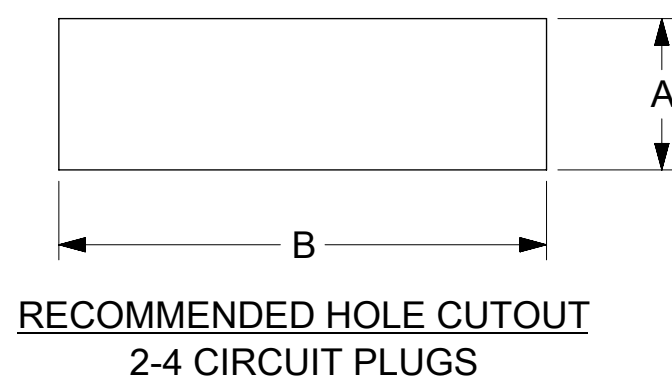


CIRCUIT I.D. RIBS

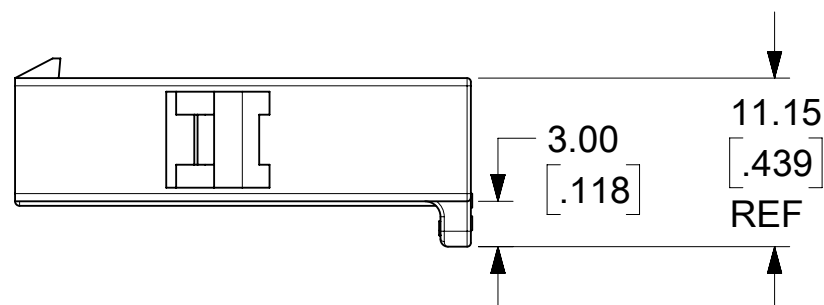
FUNCTIONAL SYMBOLS	THIS DRAWING CONTAINS INFORMATION THAT IS PROPRIETARY TO MOLEX ELECTRONIC TECHNOLOGIES, LLC AND SHOULD NOT BE USED WITHOUT WRITTEN PERMISSION																
	DIMENSION UNITS		SCALE		CURRENT REV DESC: RELEASED												
$\frac{F}{A} = 0$	MM/INCH		4:1		molex .093/(2.36) PLUG AND RECEPTACLE HOUSINGS SINGLE ROW 1-4 CIRCUITS												
$\frac{F}{C} = 0$	GENERAL TOLERANCES (UNLESS SPECIFIED)																
DIVISIONAL SYMBOLS	4 PLACES		±	±	EC NO: 643927 DRWN: MKIPPER 2020/06/02 CHK'D: MKIPPER 2022/10/12 APPR: FSMITH 2022/10/14												
	3 PLACES		±	± 0.01													
	2 PLACES		± 0.25	± 0.015													
	1 PLACE		± 0.38	±													
	0 PLACES		±	±													
ANGULAR TOL		± °	INITIAL REVISION: DRWN: MKIPPER 2020/06/02 APPR: FSMITH 2022/10/14														
DRAFT WHERE APPLICABLE MUST REMAIN WITHIN DIMENSIONS				THIRD ANGLE PROJECTION		DRAWING		SERIES		DOCUMENT NUMBER		DOC TYPE		DOC PART		REVISION	
						C-SIZE		3191		31910000-SD		PSD		000		A	
										SEE CHARTS		GENERAL MARKET		1 OF 4			



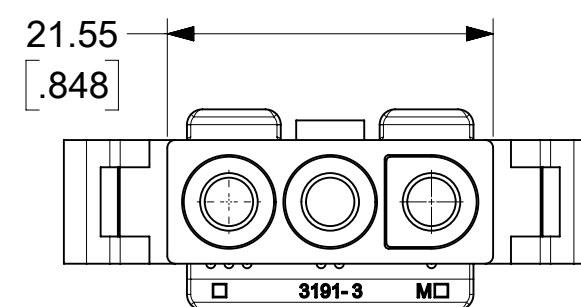
PANEL HOLE CUTOUT DIMENSIONS		
CIRCUITS	DIM. "A"	DIM. "B"
2	9.27 ±0.13 .365 ±.005	20.32 ±0.13 .800 ±.005
3	10.01 ±0.13 .394 ±.005	25.91 ±0.13 1.020 ±.005
4	10.01 ±0.13 .394 ±.005	32.26 ±0.13 1.270 ±.005



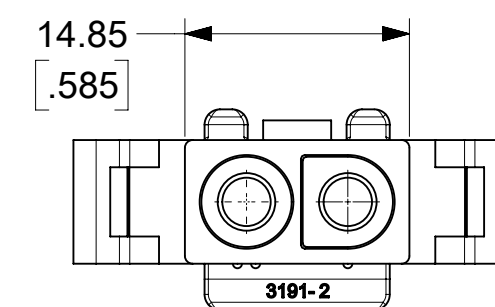
THESE DIMENSIONS APPLY TO 1 CIRCUIT PLUG ONLY
SEE SHEETS 1 FOR OTHER DIMENSIONS.



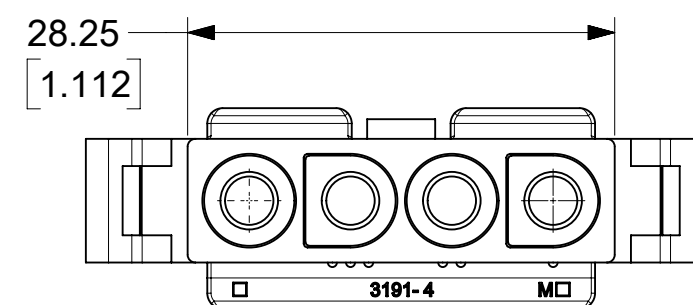
CIRCUITS	PART NO.	ENG. NO.	MATERIAL	COLOR	MOUNTING EARS	PACKAGING
1	19-09-2018	3191-1P	UL94V-2	NATURAL	YES	31910002-PK
	19-09-2019	3191-1P1	UL94V-2	NATURAL	NO	31910002-PK
	19-09-2017	3191-1P-201	UL94V-0	IVORY	YES	31910002-PK
	19-09-2016	3191-1P1-201	UL94V-0	IVORY	NO	31910002-PK
2	19-09-2028	3191-2P	UL94V-2	NATURAL	YES	31910002-PK
	19-09-2029	3191-2P1	UL94V-2	NATURAL	NO	31910002-PK
	19-09-2027	3191-2P-201	UL94V-0	IVORY	YES	31910002-PK
	19-09-2026	3191-2P1-201	UL94V-0	IVORY	NO	31910002-PK
3	19-09-2038	3191-3P	UL94V-2	NATURAL	YES	31910001-PK
	19-09-2039	3191-3P1	UL94V-2	NATURAL	NO	31910001-PK
	19-09-2037	3191-3P-201	UL94V-0	IVORY	YES	31910002-PK
	19-09-2036	3191-3P1-201	UL94V-0	IVORY	NO	31910002-PK
	19-09-3033	3191-3PBU	UL94V-2	BLUE	YES	31910002-PK
4	19-09-2048	3191-4P	UL94V-2	NATURAL	YES	31910002-PK
	19-09-2049	3191-4P1	UL94V-2	NATURAL	NO	31910002-PK
	19-09-2047	3191-4P-201	UL94V-0	IVORY	YES	31910002-PK
	19-09-2046	3191-4P1-201	UL94V-0	IVORY	NO	31910002-PK



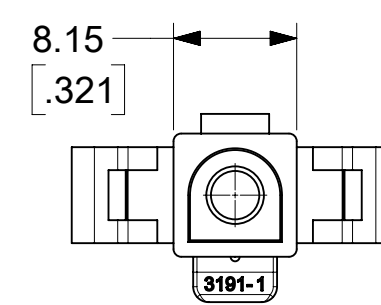
3 CIRCUIT



2 CIRCUIT



4 CIRCUIT

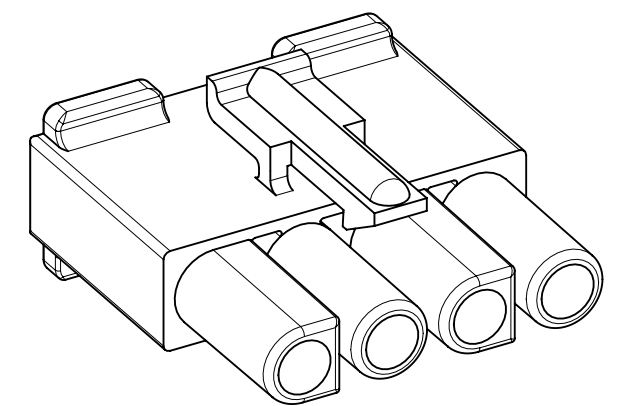
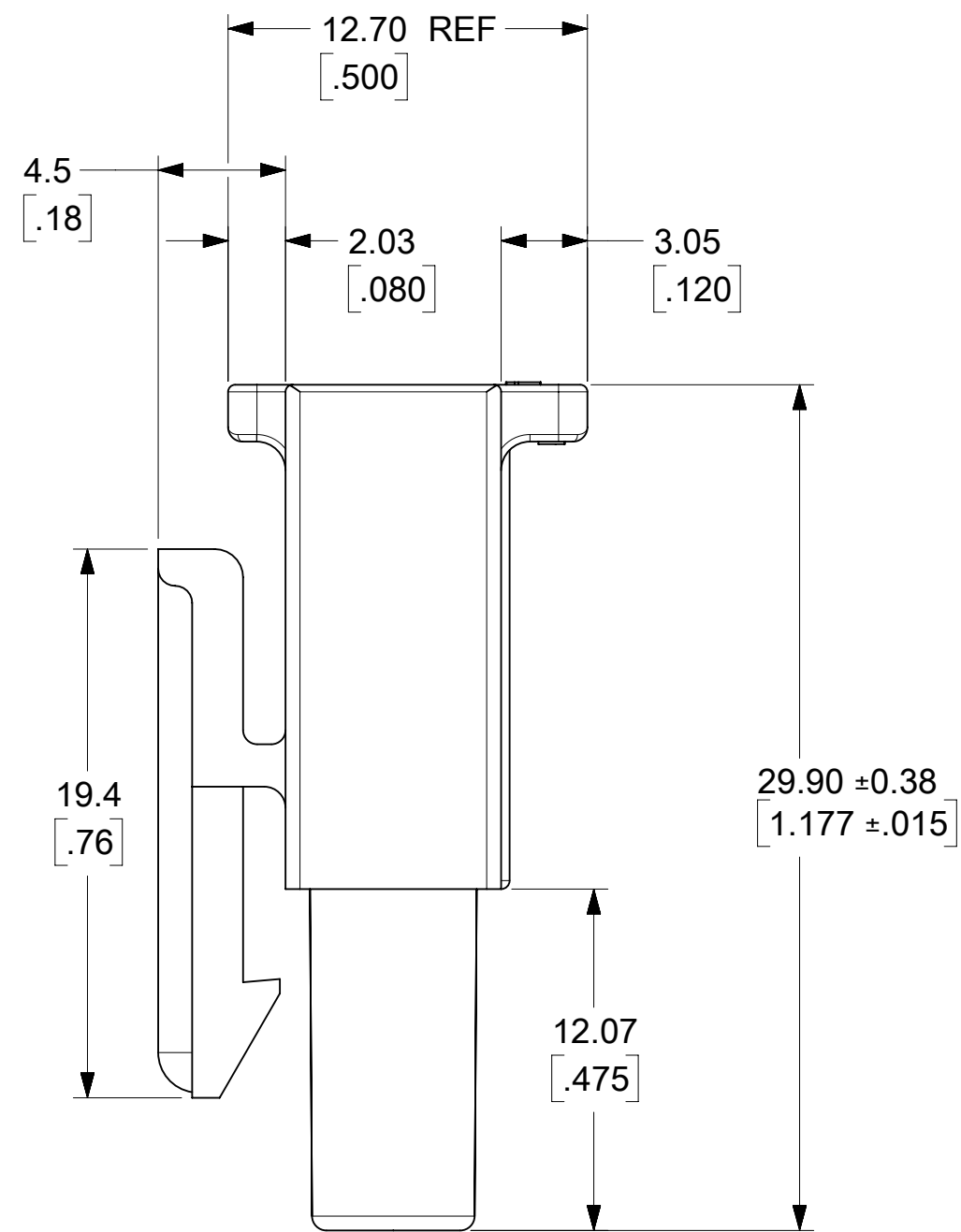
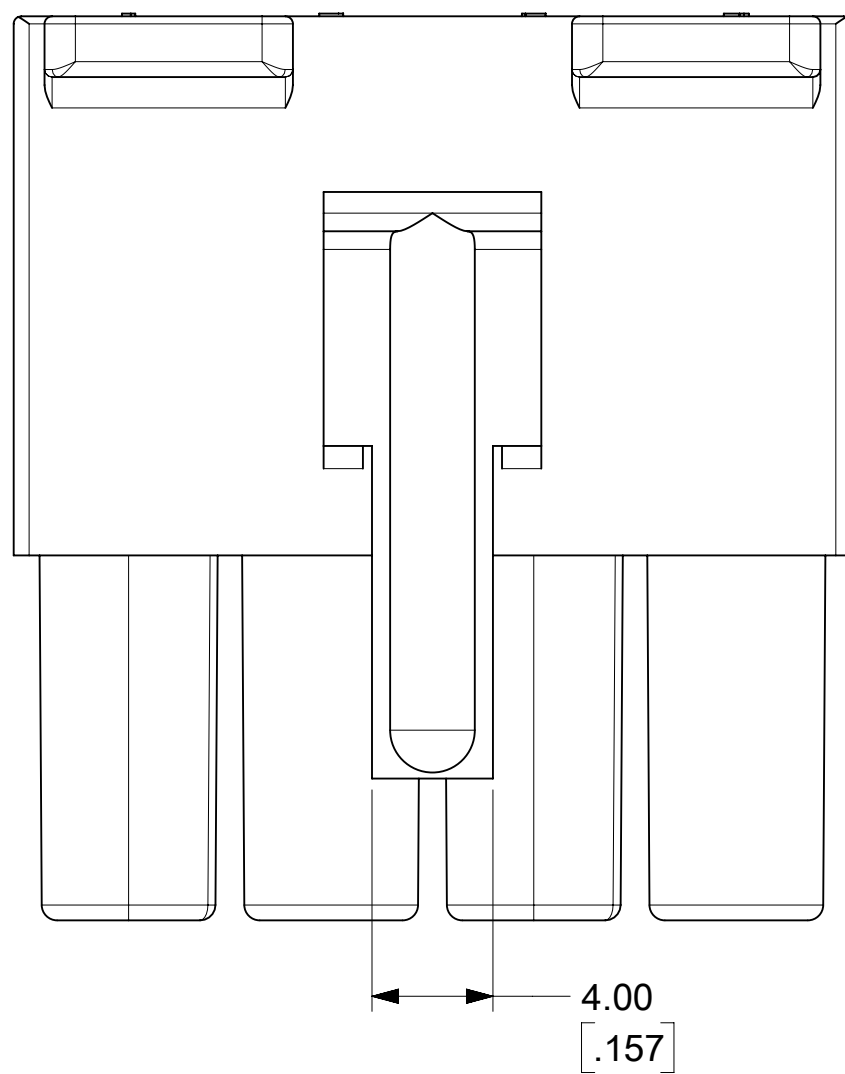
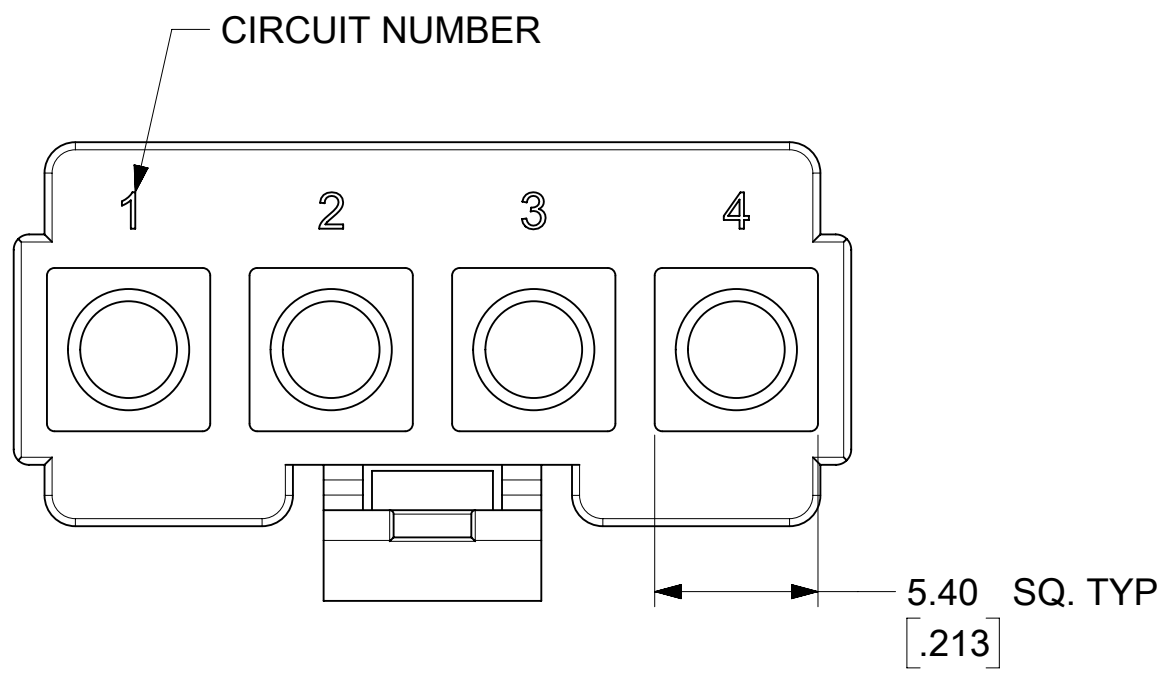


1 CIRCUIT

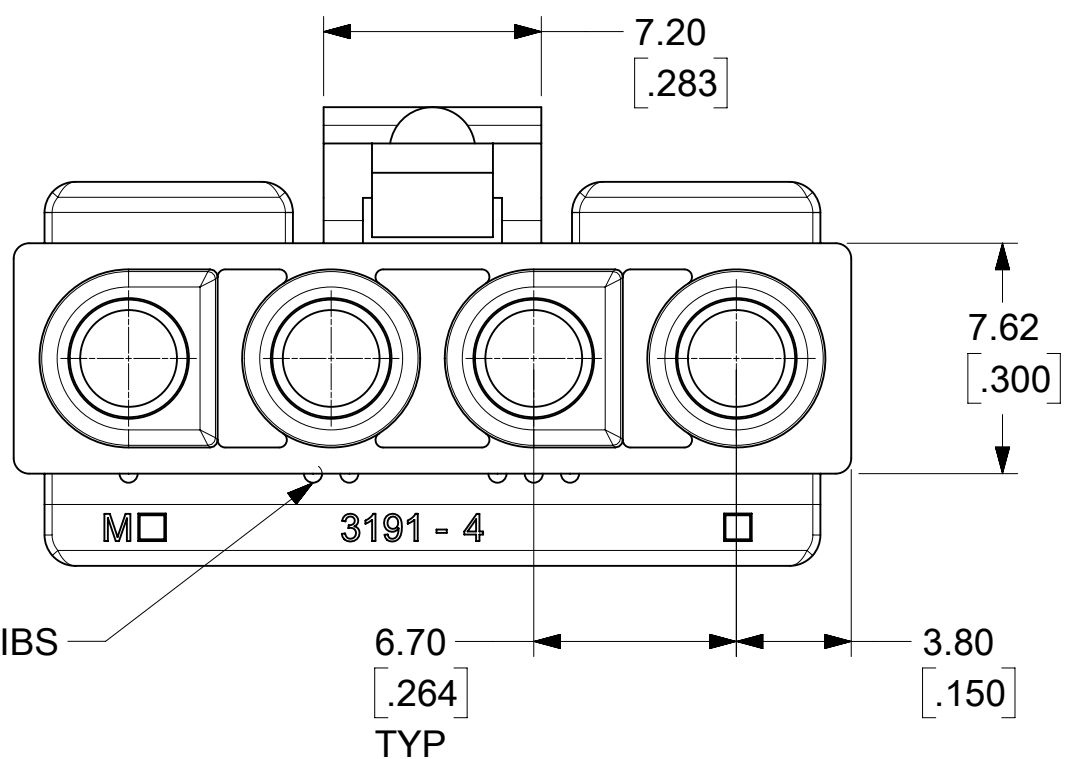
PLUG POLARIZATION

FUNCTIONAL SYMBOLS	THIS DRAWING CONTAINS INFORMATION THAT IS PROPRIETARY TO MOLEX ELECTRONIC TECHNOLOGIES, LLC AND SHOULD NOT BE USED WITHOUT WRITTEN PERMISSION					
	DIMENSION UNITS	SCALE	CURRENT REV DESC: RELEASED			
$F_A = 0$	MM/INCH	2:1				
$F_C = 0$	GENERAL TOLERANCES (UNLESS SPECIFIED)					
$F_P = 0$		MM	INCH			
	4 PLACES	±	±			
DIVISIONAL SYMBOLS	3 PLACES	±	± 0.01			
	2 PLACES	± 0.25	± 0.015			
	1 PLACE	± 0.38	±			
	0 PLACES	±	±			
	ANGULAR TOL	± °	°			
	DRAFT WHERE APPLICABLE MUST REMAIN WITHIN DIMENSIONS	THIRD ANGLE PROJECTION	DRAWING	SERIES	MATERIAL NUMBER	CUSTOMER
			C-SIZE	3191	SEE CHARTS	GENERAL MARKET
					DOCUMENT NUMBER	DOC TYPE DOC PART REVISION
					31910000-SD	PSD 000 A
						SHEET NUMBER
						2 OF 4

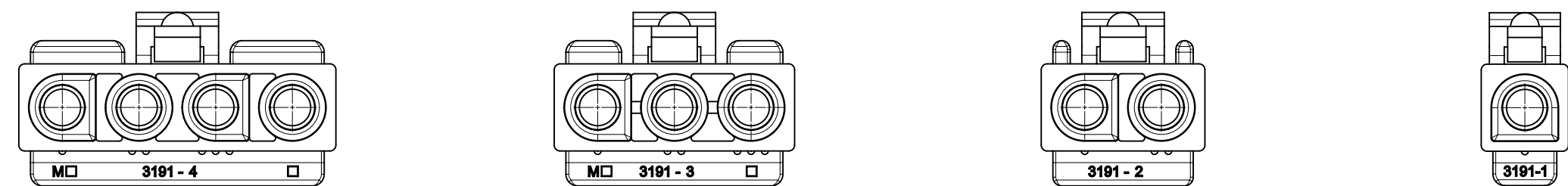
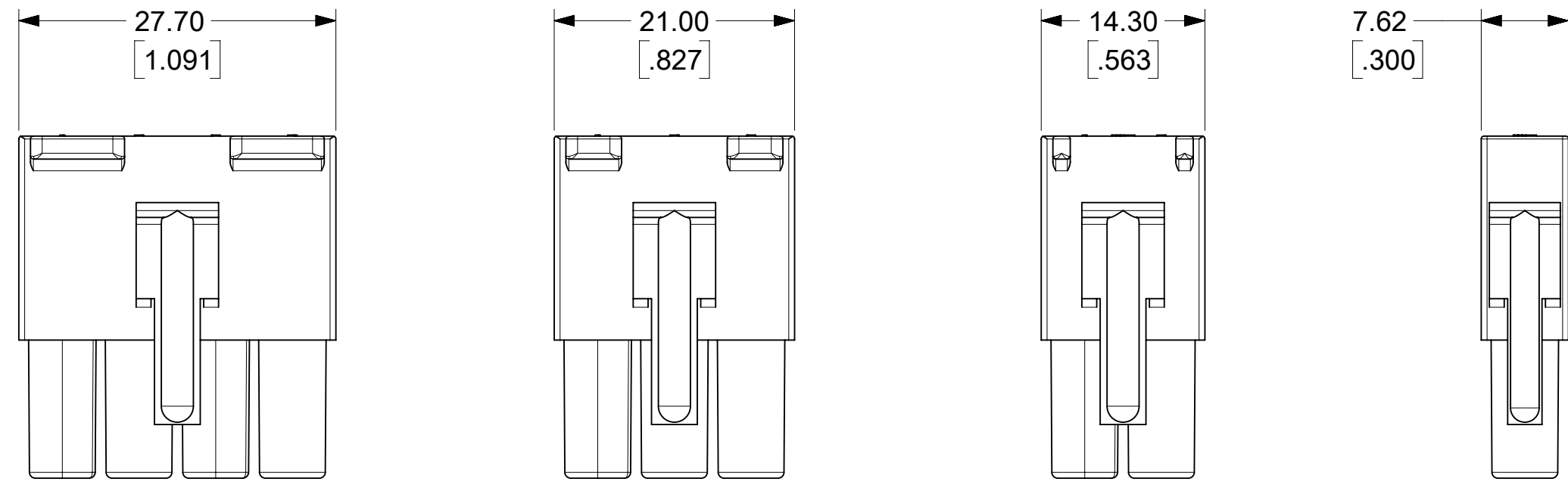
DOCUMENT STATUS	P1	RELEASE DATE	2022/10/14 17:29:15
-----------------	----	--------------	---------------------



RECEPTACLE



FUNCTIONAL SYMBOLS	THIS DRAWING CONTAINS INFORMATION THAT IS PROPRIETARY TO MOLEX ELECTRONIC TECHNOLOGIES, LLC AND SHOULD NOT BE USED WITHOUT WRITTEN PERMISSION				
	DIMENSION UNITS	SCALE		CURRENT REV DESC: RELEASED	
$\frac{F}{A} = 0$	MM/INCH	4:1		EC NO: 643927 DRWN: MKIPPER 2020/06/02 CHK'D: MKIPPER 2022/10/12 APPR: FSMITH 2022/10/14	
$\frac{F}{C} = 0$	GENERAL TOLERANCES (UNLESS SPECIFIED)				
DIVISIONAL SYMBOLS		MM	INCH	INITIAL REVISION: DRWN: MKIPPER 2020/06/02 APPR: FSMITH 2022/10/14	
	4 PLACES	±	±		
	3 PLACES	±	± 0.01		
	2 PLACES	± 0.25	± 0.015		
	1 PLACE	± 0.38	±	DOCUMENT NUMBER 31910000-SD DOC TYPE PSD DOC PART 000 REVISION A	
	0 PLACES	±	±		
	ANGULAR TOL	±	°	MATERIAL NUMBER SEE CHARTS	
	DRAFT WHERE APPLICABLE MUST REMAIN WITHIN DIMENSIONS	THIRD ANGLE PROJECTION	DRAWING C-SIZE	SERIES 3191	CUSTOMER GENERAL MARKET
				SHEET NUMBER 3 OF 4	

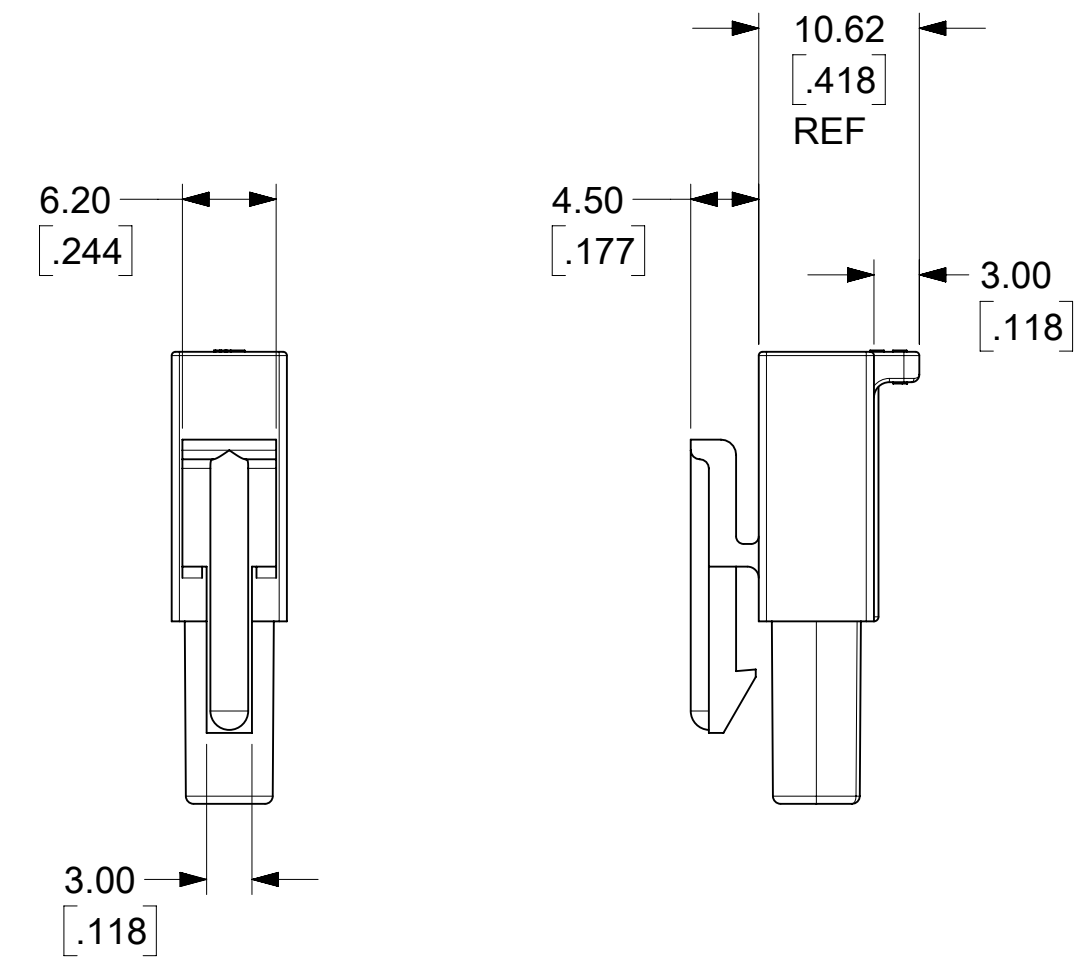


RECEPTACLE POLARIZATION

- NOTES:
1. MATERIAL: NYLON TYPE 6/6. SEE CHART FOR COLOR AND UL94 RATING.
 2. FINISH: NONE
 3. PRODUCT SPECIFICATION PS-02-09
 4. PACKAGING SPECIFICATION: SEE CHART
 5. PARTS CONFORM TO CLASS B REQUIREMENTS OF COSMETIC SPECIFICATION PS-45499-002.

THIS DRAWING REPLACES
 SD-3191-1X AND SD-3191-1*
 SD-3191-2X AND SD-3191-2*
 SD-3191-3X AND SD-3191-3*
 SD-3191-4X AND SD-3191-4*

CIRCUITS	PART NO.	ENG. NO.	MATERIAL	COLOR	PACKAGING	MOUNTING EARS
1	19-09-1019	3191-1R1	UL94V-2	NATURAL	31910002-PK	MOUNTING EARS NOT AVAILABLE ON RECEPTACLES
	19-09-1016	3191-1R1-201	UL94V-0	IVORY	31910002-PK	
	19-09-6011	3191-1R1BU	UL94V-2	BLUE	TBD	
2	19-09-1029	3191-2R1	UL94V-2	NATURAL	31910002-PK	
	19-09-1026	3191-2R1-201	UL94V-0	IVORY	31910002-PK	
3	19-09-1039	3191-3R1	UL94V-2	NATURAL	31910001-PK	
	19-09-1036	3191-3R1-201	UL94V-0	IVORY	31910002-PK	
	19-09-5039	3191-3R1-2	UL94V-0	WHITE	31910001-PK	
4	19-09-1049	3191-4R1	UL94V-2	NATURAL	31910001-PK	
	19-09-1046	3191-4R1-201	UL94V-0	IVORY	31910002-PK	



THESE DIMENSIONS APPLY TO 1 CIRCUIT RECEPTACLES ONLY

FUNCTIONAL SYMBOLS $\frac{F}{A} = 0$ $\frac{F}{C} = 0$ $\frac{F}{P} = 0$ DIVISIONAL SYMBOLS	THIS DRAWING CONTAINS INFORMATION THAT IS PROPRIETARY TO MOLEX ELECTRONIC TECHNOLOGIES, LLC AND SHOULD NOT BE USED WITHOUT WRITTEN PERMISSION		CURRENT REV DESC: RELEASED		
	DIMENSION UNITS	SCALE	EC NO: 643927		
	MM/INCH	2:1	DRWN: MKIPPER 2020/06/02		
	GENERAL TOLERANCES (UNLESS SPECIFIED)		CHK'D: MKIPPER 2022/10/12		
		MM	INCH	APPR: FSMITH 2022/10/14	
4 PLACES ±		±	±	INITIAL REVISION:	
3 PLACES ±		±	± 0.01	DRWN: MKIPPER 2020/06/02	
2 PLACES ±		± 0.25	± 0.015	APPR: FSMITH 2022/10/14	
1 PLACE ±		± 0.38	±	ANGULAR TOL ± °	
0 PLACES ±		±	±	DRAFT WHERE APPLICABLE MUST REMAIN WITHIN DIMENSIONS	
		THIRD ANGLE PROJECTION		DRAWING SERIES	
		C-SIZE		3191	
DOCUMENT NUMBER		DOC TYPE		DOC PART	
31910000-SD		PSD		000	
MATERIAL NUMBER		CUSTOMER		SHEET NUMBER	
SEE CHARTS		GENERAL MARKET		4 OF 4	