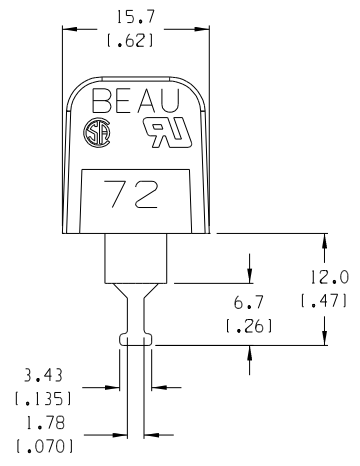
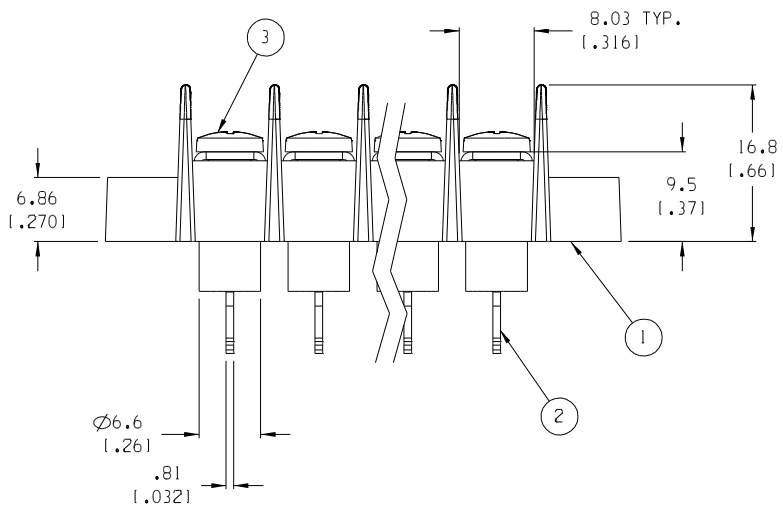


4 CIRCUIT SHOWN



NOTES:

1. MATERIAL: SEE TABLE
2. FINISHES: SEE TABLE
3. PRODUCT SPECIFICATION: NOT REQUIRED
4. PACKAGING: NOT REQUIRED
5. MATES WITH: NONE
6. "XX" REFERS TO THE QUANTITY OF CIRCUITS.

| | | | | |
|------|------|-----------------------------------|---------------|--------------------|
| 3 | XX | SCREW, #6-32X.250, BHD, PHIL-SLOT | STEEL | ZN, CLEAR CHROMATE |
| 2 | XX | TERMINAL, TURRET | BRASS | TIN PLATE |
| 1 | 1 | INSULATOR, SR, MOLDED MTG. | THERMOPLASTIC | BLACK |
| ITEM | QTY. | DESCRIPTION | MATERIAL | FINISH |

| | | | | | | | | |
|--------------------------------------------------------------------------------------------------------------------------------|-----------------------------------------------|------------------------------------------------------------------------------|-------------------------------------------|-------------------------------------------------------------------|------------------------------------------------------------------------------------|------------------------|-------------------------------------------------------------------------------------------------------------------|------------------------------------|
| EC NO. RELEASED DRWING: CLY CH'K: APR: | DESCRIPTION MAJOR CRITICAL SPC S: | GENERAL TOLERANCES: (UNLESS SPECIFIED) mm INCH | | SCALE: 2:1 | DESIGN UNITS: <input type="checkbox"/> mm <input checked="" type="checkbox"/> INCH | THIRD ANGLE PROJECTION | DIMENSIONS: <input checked="" type="checkbox"/> mm <input type="checkbox"/> INCH <input type="checkbox"/> mm ONLY | PROJECT NO.: - SHT: - REV: - |
| | | 4 PLACES ±.0015 3 PLACES ±.038 ±.005 2 PLACES ±.13 ±.01 1 PLACE ±.3 | DRAWN BY & DATE: C. YORK 02-24-05 | TITLE: 9.53 (1.375) SR BTS ASSY, INSUL. TURRET, MOLDED MTG. | | | | |
| | | ANGULAR: ±2° | CHECKED BY & DATE: APPROVED BY & DATE: | MOLEX INCORPORATED | | | | |
| | | DRAFT WHERE APPLICABLE MUST REMAIN WITHIN DIMENSIONS | CAD FILENAME: 722XX-E | MATERIAL NO.: SEE SHT. 2 | DRAWING NO.: SD-38720-005 | SHEET NO.: 1 OF 2 | | |
| THIS DRAWING CONTAINS INFORMATION THAT IS PROPRIETARY TO MOLEX INCORPORATED AND SHOULD NOT BE USED WITHOUT WRITTEN PERMISSION. | | | | | | | SIZE: B | |

| NO. OF CIRC. "XX" | DIM. "A" | | DIM. "B" | | DIM. "C" | | DIM. "D" | | ASSEMBLY MATERIAL NO. |
|-------------------|----------|---------|----------|---------|----------|----------|----------|--------|-----------------------|
| 02 | 36.2 | [1.43] | 9.53 | [.375] | 28.58 | [1.125] | 21.1 | [.83] | 387203102 |
| 03 | 45.7 | [1.80] | 19.05 | [.750] | 38.10 | [1.500] | 30.7 | [1.21] | 387203103 |
| 04 | 55.2 | [2.18] | 28.58 | [1.125] | 47.63 | [1.875] | 40.2 | [1.58] | 387203104 |
| 05 | 64.8 | [2.55] | 38.10 | [1.500] | 57.15 | [2.250] | 49.7 | [1.96] | 387203105 |
| 06 | 74.3 | [2.93] | 47.63 | [1.875] | 66.68 | [2.625] | 59.2 | [2.33] | 387203106 |
| 07 | 83.8 | [3.30] | 57.15 | [2.250] | 76.20 | [3.000] | 68.8 | [2.71] | 387203107 |
| 08 | 93.3 | [3.68] | 66.68 | [2.625] | 85.73 | [3.375] | 78.3 | [3.08] | 387203108 |
| 09 | 102.9 | [4.05] | 76.20 | [3.000] | 95.25 | [3.750] | 87.8 | [3.46] | 387203109 |
| 10 | 112.4 | [4.43] | 85.73 | [3.375] | 104.78 | [4.125] | 97.3 | [3.83] | 387203110 |
| 11 | 121.9 | [4.80] | 95.25 | [3.750] | 114.30 | [4.500] | 106.9 | [4.21] | 387203111 |
| 12 | 131.4 | [5.18] | 104.78 | [4.125] | 123.83 | [4.875] | 116.4 | [4.58] | 387203112 |
| 13 | 141.0 | [5.55] | 114.30 | [4.500] | 133.35 | [5.250] | 125.9 | [4.96] | 387203113 |
| 14 | 150.5 | [5.93] | 123.83 | [4.875] | 142.88 | [5.625] | 135.4 | [5.33] | 387203114 |
| 15 | 160.0 | [6.30] | 133.35 | [5.250] | 152.40 | [6.000] | 145.0 | [5.71] | 387203115 |
| 16 | 169.5 | [6.68] | 142.88 | [5.625] | 161.93 | [6.375] | 154.5 | [6.08] | 387203116 |
| 17 | 179.1 | [7.05] | 152.40 | [6.000] | 171.45 | [6.750] | 164.0 | [6.46] | 387203117 |
| 18 | 188.6 | [7.43] | 161.93 | [6.375] | 180.98 | [7.125] | 173.5 | [7.21] | 387203118 |
| 19 | 198.1 | [7.80] | 171.45 | [6.750] | 190.50 | [7.500] | 192.6 | [7.58] | 387203119 |
| 20 | 207.6 | [8.18] | 180.98 | [7.125] | 200.03 | [7.875] | 202.1 | [7.96] | 387203120 |
| 21 | 217.2 | [8.55] | 190.50 | [7.500] | 209.55 | [8.250] | 211.6 | [8.33] | 387203121 |
| 22 | 226.7 | [8.93] | 200.03 | [7.875] | 219.08 | [8.625] | 221.2 | [8.71] | 387203122 |
| 23 | 236.2 | [9.30] | 209.55 | [8.250] | 228.60 | [9.000] | 230.6 | [9.08] | 387203123 |
| 24 | 245.7 | [9.68] | 219.08 | [8.625] | 238.13 | [9.375] | 230.7 | [9.08] | 387203124 |
| 25 | 255.3 | [10.05] | 228.60 | [9.000] | 247.65 | [9.750] | 240.2 | [9.46] | 387203125 |
| 26 | 264.8 | [10.43] | 238.13 | [9.375] | 257.18 | [10.125] | 249.7 | [9.83] | 387203126 |

| | | |
|-------------------------------------------------------------------------------------------------------|--------------------|-----|
| PROJECT NO. - | - | - |
| DIMENSIONS: | SHT | REV |
| <input checked="" type="checkbox"/> mm <input type="checkbox"/> INCH <input type="checkbox"/> mm ONLY | REVISE ON CAD ONLY | |

| | | | | |
|-------------------------------------------------|---------------------------------------------|--------------------------------------------------------------------------------------------------------------------------------------------------------------------------------------------------------------------|------------------------------------------------------------------------------------------------------------------------------------------------------------------------------------|------------------------------------------------------------------------------------------------------------------|
| EC NO. SEE SHEET 1 DRWN: CH'K: APPR: REV: | QUALITY SYMBOLS MAJOR CRITICAL SPC | GENERAL TOLERANCES: (UNLESS SPECIFIED) mm INCH 4 PLACES ±.0015 ±.005 3 PLACES ±.038 ±.005 2 PLACES ±.13 ±.01 1 PLACE ±.3 ANGULAR: ±2° DRAFT WHERE APPLICABLE MUST REMAIN WITHIN DIMENSIONS | SCALE -- DESIGN UNITS <input type="checkbox"/> mm <input checked="" type="checkbox"/> INCH DRAWN BY & DATE C. YORK 02-24-05 CHECKED BY & DATE APPROVED BY & DATE | THIRD ANGLE PROJECTION TITLE: 9.53 [.375] SR BTS ASSY, INSUL. TURRET, MOLDED MTG. MOLEX INCORPORATED |
| | | | CAD FILENAME 722XX-E | MATERIAL NO. SEE CHART |
| | | | DRAWING NO. SD-38720-005 | SHEET NO. 2 OF 2 |
| | | | THIS DRAWING CONTAINS INFORMATION THAT IS PROPRIETARY TO MOLEX INCORPORATED AND SHOULD NOT BE USED WITHOUT WRITTEN PERMISSION. | |

SIZE B