

注記 NOTES

- 材質 MATERIAL
ウエハー：液晶ポリマー (LCP) ガラス充填、黒色、UL94V-0
WAFER : LIQUID CRYSTAL POLYMER (LCP) GLASS FILLED COLOR BLACK, UL94V-0
ターミナル：リン青銅 (t=0.08)
TERMINAL : PHOSPHOR BRONZE (t=0.08)
 - メッキ仕様 PLATING
金メッキ：0.45マイクロメートル以上 (コンタクト部)
GOLD : 0.45 MICROMETER MINIMUM.(CONTACT AREA)
ニッケルメッキ (下地)：1マイクロメートル以上
NICKEL (UNDER PLATING) : 1 MICROMETER MINIMUM.
 - テールの平坦度は0.1MAX.
TAIL COPLANARITY 0.1MAX.
- △ 公差非累積のこと。
NON-ACCUMULATIVE

DO NOT SCALE DRAWING

EC NO. DRWN: CHK: APPR:	EC NO. DRWN: CHK: APPR:	EC NO. DRWN: CHK: APPR:	EC NO. DRWN: CHK: APPR:	EC NO. DRWN: CHK: APPR:	RELEASED 01/04/25 EC NO. JC2001-0563 DRWN: M.HAYASHI CHK: T.ITO APPR: T.YAMAGUCHI	MATERIAL 材料 注記参照 SEE NOTES	FINISH 仕上げ 注記参照 SEE NOTES	WIRE RANGE 適用電線範囲 —	INS. RANGE 被覆外径 —	GENERAL TOLERANCES: (UNLESS SPECIFIED) 一般公差 10 UNDER 未満 ±0.2 10 OVER 30 UNDER 未満 ±0.25 30 OVER 以上 ±0.3	SCALE —	DESIGN UNITS <input checked="" type="checkbox"/> mm <input type="checkbox"/> INCH	THIRD ANGLE PROJECTION <input checked="" type="checkbox"/> THIRD ANGLE <input type="checkbox"/> FIRST ANGLE	DIMENSIONS: <input type="checkbox"/> mm <input type="checkbox"/> INCH <input checked="" type="checkbox"/> mm ONLY	SHT REV	REVISE ON CAD ONLY
						MODEL NO. 54873-***11		MATERIAL NO. 54873-1011		CTK. NO. 10		TITLE: 1.4mm LCD Conn Rec Assy (Hgt=0.45)				
						DRAWN BY & DATE M.HAYASHI 01/04/25		CHECKED BY & DATE T.ITO 01/04/25		APPROVED BY & DATE T.YAMAGUCHI 01/04/25		MOLEX MOLEX INCORPORATED				
						CAD FILENAME 54873007.S01		MATERIAL NO. SEE CHART		DRAWING NO. SD-54873-007		SHEET NO. 1		THIS DRAWING CONTAINS INFORMATION THAT IS PROPRIETARY TO MOLEX INCORPORATED AND SHOULD NOT BE USED WITHOUT WRITTEN PERMISSION.		SIZE B

DWG. NO. SD-54873-008

F

D

V

C

B

DO NOT SCALE DRAWING

8 7 6 5 4 3 2 1

F

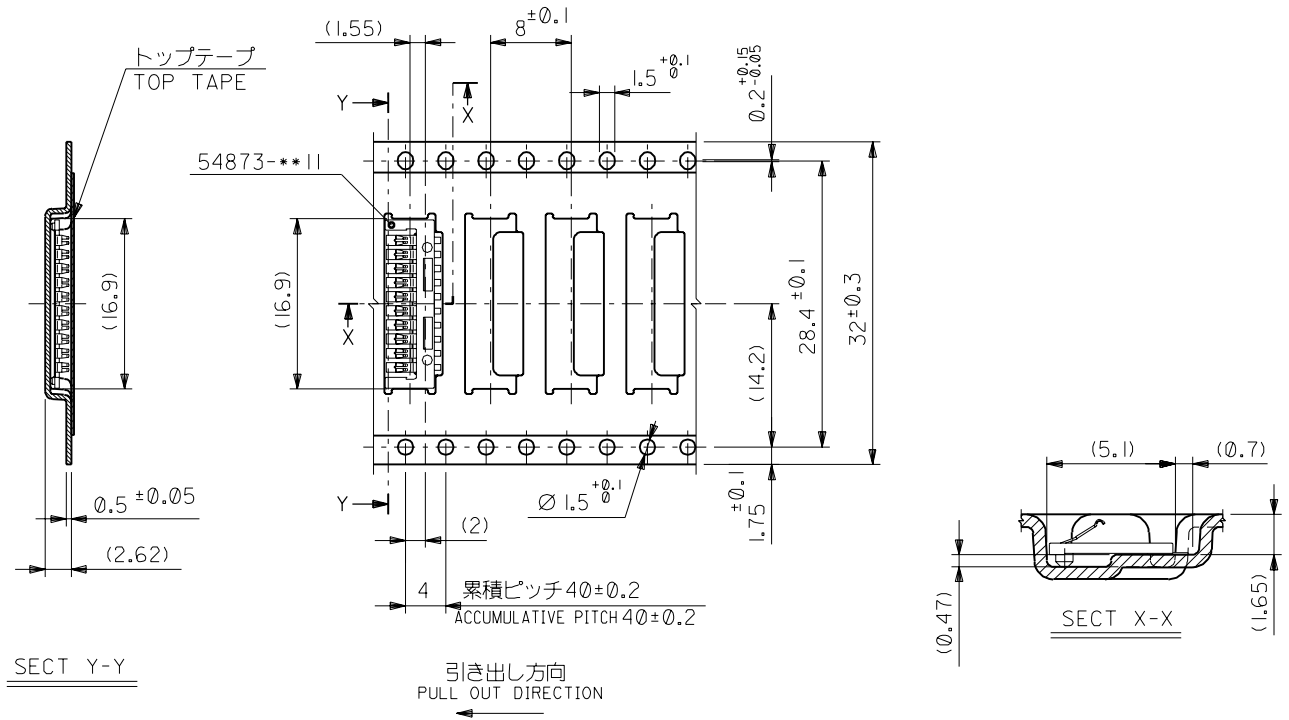
E

D

C

B

A



54873-1090	10
MATERIAL NO.	CKT. NO.

MODEL NO. 54873-***90	DIMENSIONS:	SHT	REV
	<input type="checkbox"/> mm <input type="checkbox"/> INCH		
	<input type="checkbox"/> mm <input checked="" type="checkbox"/> mm ONLY		REVISE ON CAD ONLY

SCALE	DESIGN UNITS	THIRD ANGLE PROJECTION
—	<input checked="" type="checkbox"/> mm <input type="checkbox"/> INCH	<input checked="" type="checkbox"/>
DRAWN BY & DATE	TITLE:	
M.HAYASHI '01/04/25	1.4 LCD Conn Rec (Hgt=0.45)	
CHECKED BY & DATE	Embstp Pkg	
T.ITO '01/04/25		
APPROVED BY & DATE	MOLEX INCORPORATED	
T.YAMAGUCHI '01/04/25		
CAD FILENAME	MATERIAL NO.	DRAWING NO.
54873008.S02	SEE CHART	SD-54873-008

SHEET NO.	2 OF 2
-----------	--------

EC NO.	RELEASED '01/04/25
DRWN: M.HAYASHI	EC NO. JC2001-0563
CHK: T.ITO	DRWN: M.HAYASHI
APPR: T.YAMAGUCHI	CHK: T.ITO
	APPR: T.YAMAGUCHI
EC NO.	
DRWN:	
CHK:	
APPR:	
EC NO.	
DRWN:	
CHK:	
APPR:	
EC NO.	
DRWN:	
CHK:	
APPR:	

MATERIAL 材料	注記参照 SEE NOTES
FINISH 仕上げ	注記参照 SEE NOTES
WIRE RANGE 適用電線範囲	//
INS. RANGE 被覆外径	//

GENERAL TOLERANCES: (UNLESS SPECIFIED) 一般公差	
10 UNDER 未満	±0.2
10 OVER 以上 30 UNDER 未満	±0.25
30 OVER 以上	±0.3
ANGLE 角度	±3°

THIS DRAWING CONTAINS INFORMATION THAT IS PROPRIETARY TO MOLEX INCORPORATED AND SHOULD NOT BE USED WITHOUT WRITTEN PERMISSION.