

**MATERIALS AND FINISHES:**

BODY, JAM NUT: BRASS  
FINISH: SEE TABLE

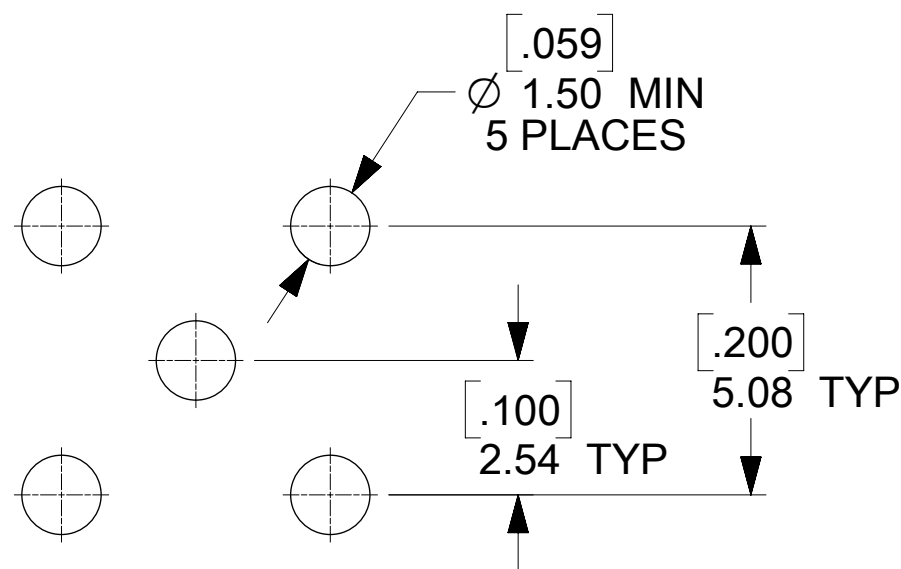
CENTER CONTACT: BERYLLIUM COPPER  
PLATED GOLD

INSULATOR: TEFLON

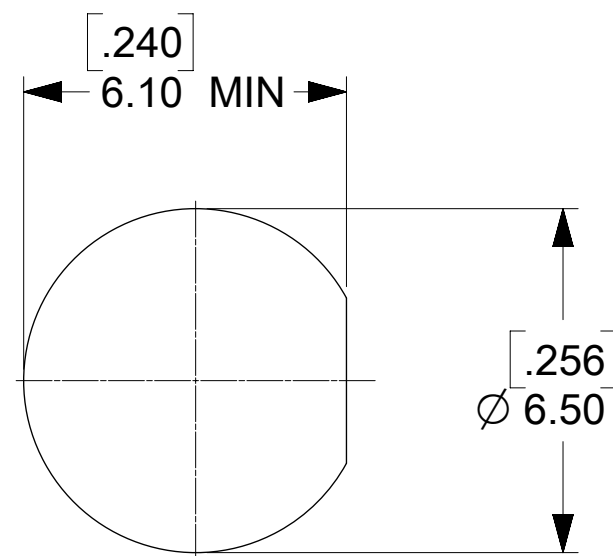
LOCKWASHER: PHOSPHOR BRONZE  
FINISH: SEE TABLE

**ELECTRICAL REQUIREMENTS:**

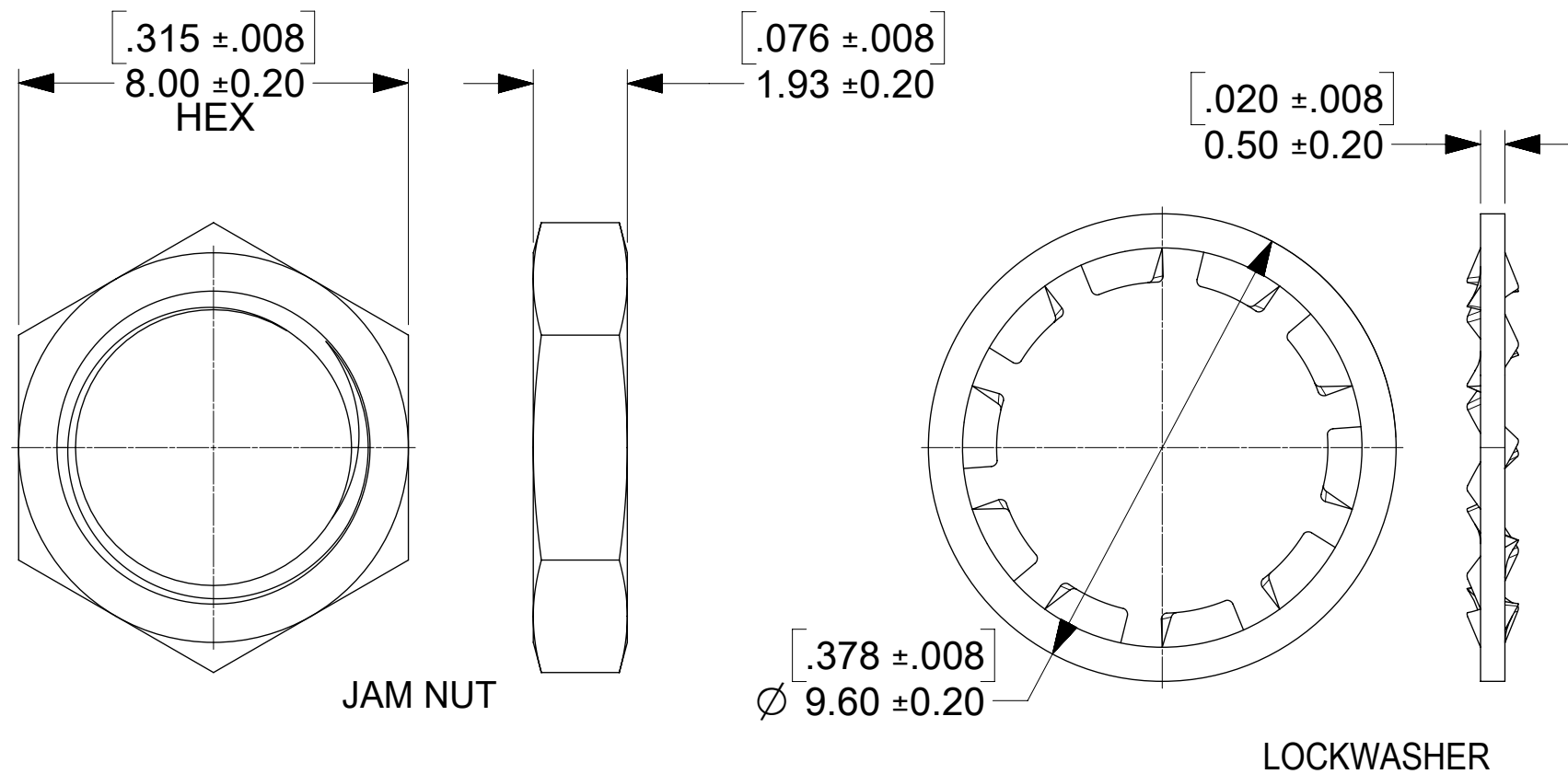
- VOLTAGE STANDING WAVE RATIO
  - 1.1(MAX) @0-6GHz.
  - 1.5(MAX) @6-12GHz.
  - 1.8(MAX) @12-18GHz.
- RF INSERTION LOSS:
  - 0.1(MAX) @0-6GHz.
  - 0.4(MAX) @6-12GHz.
  - 0.7(MAX) @12-18GHz.



RECOMMENDED PCB LAYOUT



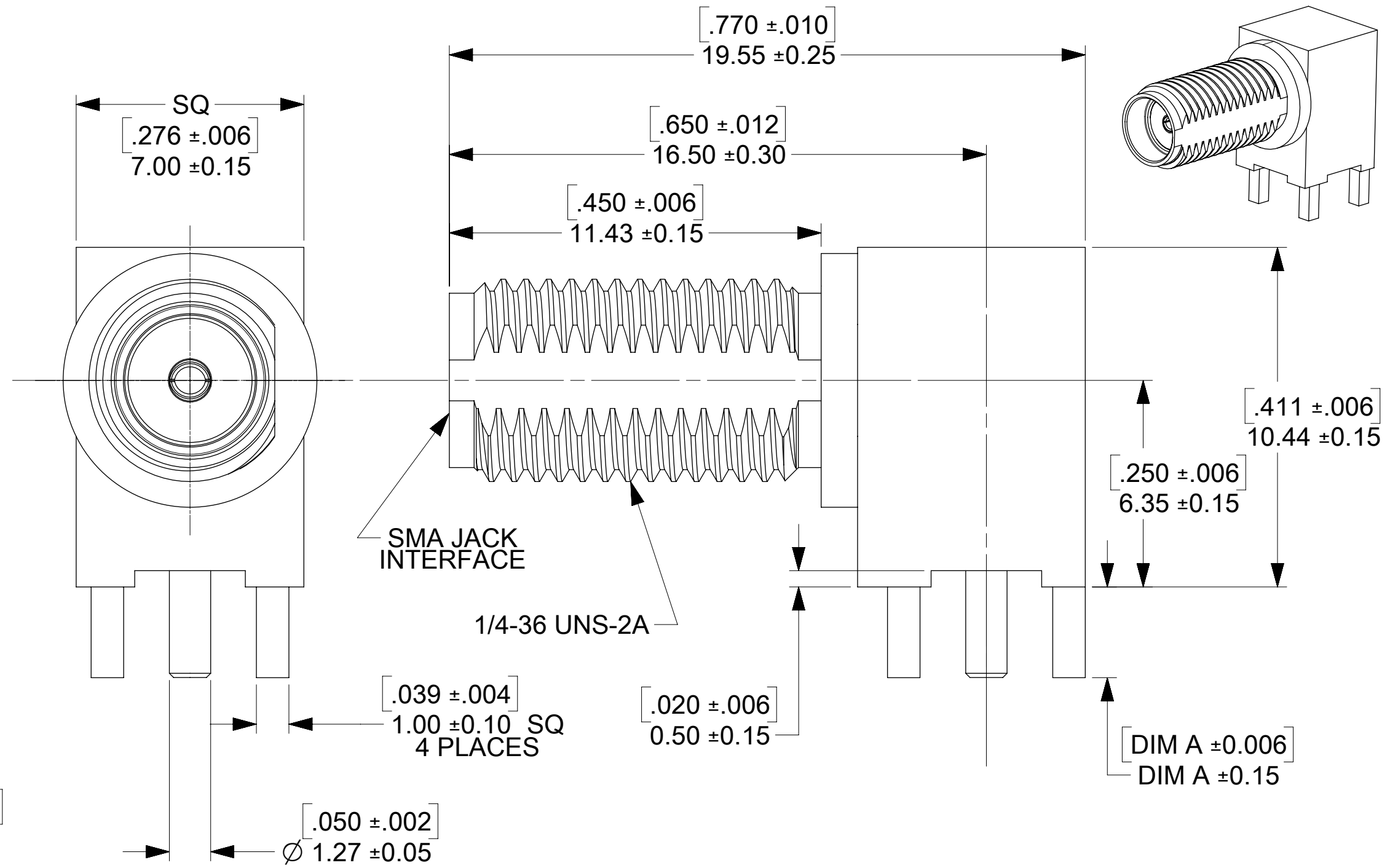
RECOMMENDED PANEL CUTOUT



JAM NUT

LOCKWASHER

PS-89675-368	SOLDER SPEC PROFILE
PS-89675-346	ELECTRO/MECH PERFORM.
SPECIFICATION	DESCRIPTION



SEE SD-73251-496 FOR PART NO. CONTINUATION

73251-2209	GOLD FLASH / STANDARD TRAY	3.94	.155
73251-2208	GOLD FLASH/STANDARD TRAY W/O WASHER AND NUT	3.94	.155
73251-2207	73251-2201 PACKAGED ONE PER BAG	2.79	.110
73251-2206	SAME AS 73251-2201 EXCEPT COMMERCIAL CONTACT	2.79	.110
73251-2205	SAME AS 73251-2200 EXCEPT COMMERCIAL CONTACT	2.79	.110
73251-2204	GOLD FLASH/STANDARD TRAY W/O WASHER AND NUT	2.79	.110
73251-2203	GOLD FLASH / STANDARD TRAY (54 CAVITY)	2.79	.110
73251-2202	73251-2201 PACKAGED IN SMALL TRAY (20 CAVITY)	2.79	.110
73251-2201	GOLD / STANDARD TRAY	2.79	.110
73251-2200	NICKEL / STANDARD TRAY	2.79	.110
PART NO.	PLATING (BODY, NUT, LOCKWASHER) AND PACKAGING	mm	IN
		DIM A	

FUNCTIONAL SYMBOLS	THIS DRAWING CONTAINS INFORMATION THAT IS PROPRIETARY TO MOLEX ELECTRONIC TECHNOLOGIES, LLC AND SHOULD NOT BE USED WITHOUT WRITTEN PERMISSION		
	DIMENSION UNITS	SCALE	CURRENT REV DESC: ADD SOLDER SPEC NO. PER EWR14716-B
$\frac{F}{A} = 0$	mm	NTS	
$\frac{E}{C} = 0$	GENERAL TOLERANCES (UNLESS SPECIFIED)		
$\frac{P}{D} = 0$	ANGULAR TOL ± °		
DIVISIONAL SYMBOLS	4 PLACES	±	EC NO: 675413
	3 PLACES	±	DRWN: CWEI02 2021/08/24
	2 PLACES	±	CHK'D: YCHENG 2021/08/26
	1 PLACE	±	APPR: YCHENG 2021/08/26
	0 PLACES	±	INITIAL REVISION: DRWN: AROBERTSON 2012/11/21 APPR: JWIENER 2012/11/21
DRAFT WHERE APPLICABLE MUST REMAIN WITHIN DIMENSIONS		THIRD ANGLE PROJECTION	DRAWING SERIES
			C-SIZE 73251
DOCUMENT STATUS		DOC TYPE	DOC PART
P1	RELEASE DATE	2021/08/26	10:31:44
DOCUMENT NUMBER		CUSTOMER	SHEET NUMBER
SD-73251-220		GENERAL MARKET	1 OF 1

**molex**

SMA JACK, R/A PCB 50 OHM  
SMA-J/RA/PCB EWR-2144

PRODUCT CUSTOMER DRAWING

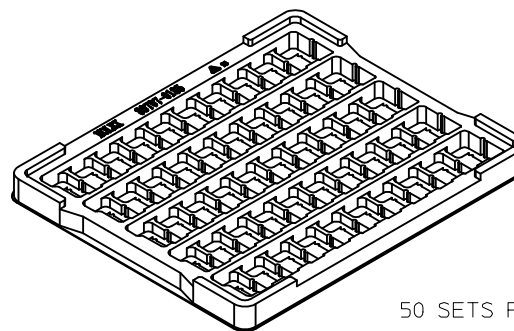
SD-73251-220

PSD 000 D14

SEE TABLE GENERAL MARKET 1 OF 1

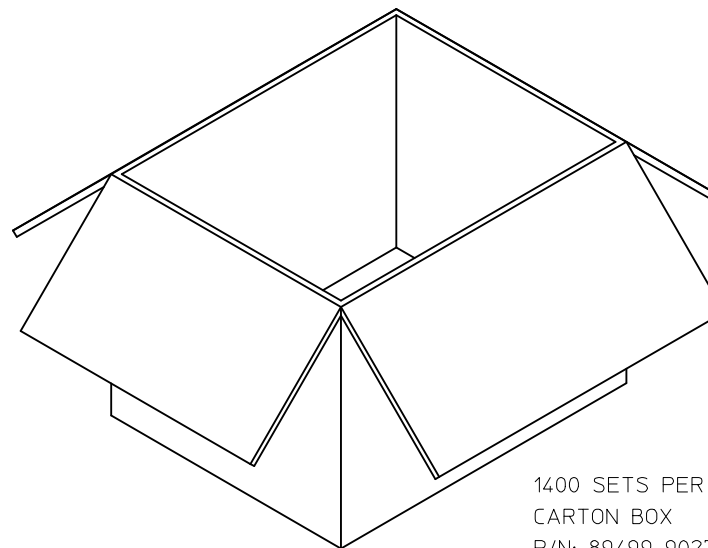


P/N: 73251-2200 / 73251-2201  
 73251-2205 / 73251-2206  
 73251-2208 / 73251-2209



50 SETS PER TRAY  
 TRAY P/N: 89707-0185

FOR 73251-2200, 73251-2201,  
 73251-2205, 73251-2206,  
 73251-2208, AND 73251-2209

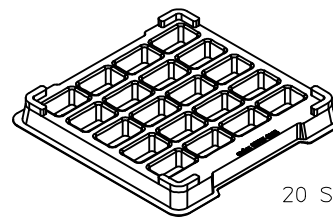


1400 SETS PER OUTER  
 CARTON BOX  
 P/N: 89499-9027

<b>CHG NEW RELEASE          PER RF13-E131</b> EC NO: URF2013-0734 DRAWN BY: RYEH 2013/06/28 CHKD: KERRIE APPR: MHUANG 2013/07/26 REV: A	QUALITY SYMBOLS = 0 = 0 = 0	GENERAL TOLERANCES (UNLESS SPECIFIED) <table border="1"> <tr> <td></td> <td>mm</td> <td>INCH</td> </tr> <tr> <td>4 PLACES</td> <td>± .005</td> <td>± .0004</td> </tr> <tr> <td>3 PLACES</td> <td>± .005</td> <td>± .0004</td> </tr> <tr> <td>2 PLACES</td> <td>± .005</td> <td>± .0004</td> </tr> <tr> <td>1 PLACE</td> <td>± .005</td> <td>± .0004</td> </tr> <tr> <td>0 PLACE</td> <td>± .005</td> <td>± .0004</td> </tr> </table>		mm	INCH	4 PLACES	± .005	± .0004	3 PLACES	± .005	± .0004	2 PLACES	± .005	± .0004	1 PLACE	± .005	± .0004	0 PLACE	± .005	± .0004	DIMENSION STYLE <b>MM/IN</b> DRAWN BY: RYEH DATE: 2013/06/28 CHECKED BY: KERRIE DATE: 2013/06/28 APPROVED BY: MHUANG DATE: 2013/07/26	SCALE: <b>2.5:1</b> DESIGN UNITS: <b>METRIC</b> <b>THIRD ANGLE PROJECTION</b>	<b>SMA JACK R/A PCB TH          50 OHMS          SMA-J/PCB</b> <b>molex</b>	MATERIAL NO. <b>SEE TABLE</b>	DOCUMENT NO. <b>SD-73251-220-PKG</b>	SHEET NO. <b>1 OF 4</b>
		mm	INCH																							
	4 PLACES	± .005	± .0004																							
	3 PLACES	± .005	± .0004																							
2 PLACES	± .005	± .0004																								
1 PLACE	± .005	± .0004																								
0 PLACE	± .005	± .0004																								
ANGULAR ± 2°		DRAFT WHERE APPLICABLE MUST REMAIN WITHIN DIMENSIONS		<b>THIS DRAWING CONTAINS INFORMATION THAT IS PROPRIETARY TO MOLEX INCORPORATED AND SHOULD NOT BE USED WITHOUT WRITTEN PERMISSION</b>																						

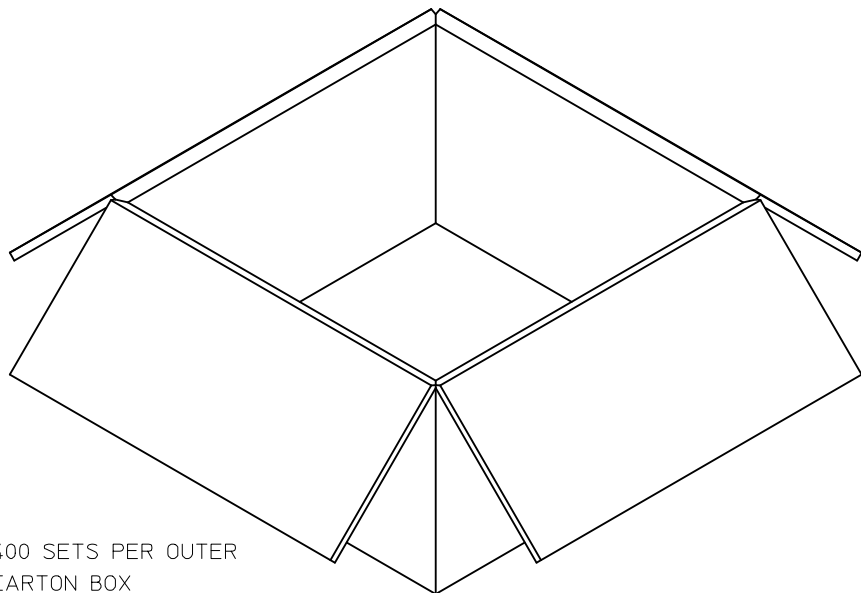


P/N: 73251-2202

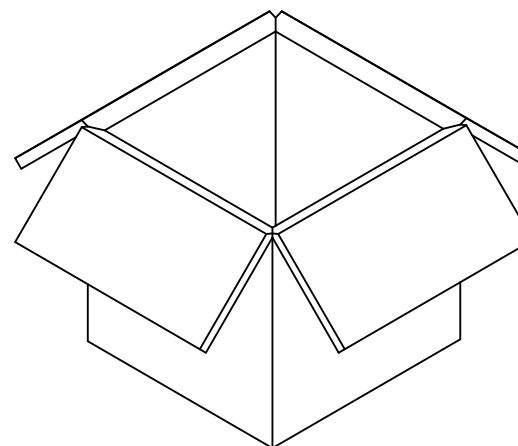


20 SETS PER TRAY  
TRAY P/N: 89707-0308

FOR 73251-2202 ONLY



400 SETS PER OUTER  
CARTON BOX  
P/N: 96707-0002



200 SETS PER INNER  
CARTON BOX  
P/N: 96707-0005

CHG:SEE SHEET 1  
EC NO: URF2013-0734  
DRAWN:RYEH 2013/06/28  
CHKD:  
APPR:MHUANG 2013/07/26

REV	DESCRIPTION	QUALITY SYMBOLS
A		▽=0
		▽=0
		▽=0

GENERAL TOLERANCES (UNLESS SPECIFIED)

	mm	INCH
4 PLACES	± .005	± .0002
3 PLACES	± .005	± .0002
2 PLACES	± .005	± .0002
1 PLACE	± .005	± .0002
0 PLACE	± .005	± .0002

ANGULAR ± 2°

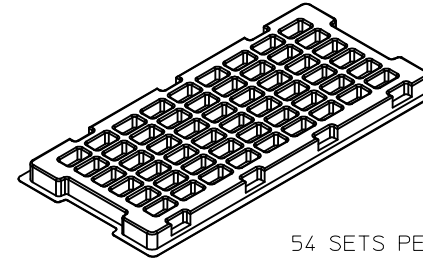
DRAFT WHERE APPLICABLE MUST REMAIN WITHIN DIMENSIONS

DIMENSION STYLE		SCALE		DESIGN UNITS	
MM/IN		2:1		METRIC	
DRAWN BY	DATE	TITLE			
RYEH	2013/06/28	SMA JACK R/A PCB TH			
CHECKED BY	DATE	50 OHMS			
KERRIE	2013/06/28	SMA-J/PCB			
APPROVED BY	DATE	<b>molex</b>			
MHUANG	2013/07/26	MATERIAL NO.		DOCUMENT NO.	
SEE TABLE		SD-73251-220-PKG		SHEET NO.	
SIZE C		THIS DRAWING CONTAINS INFORMATION THAT IS PROPRIETARY TO MOLEX INCORPORATED AND SHOULD NOT BE USED WITHOUT WRITTEN PERMISSION		2 OF 4	

THIRD ANGLE PROJECTION

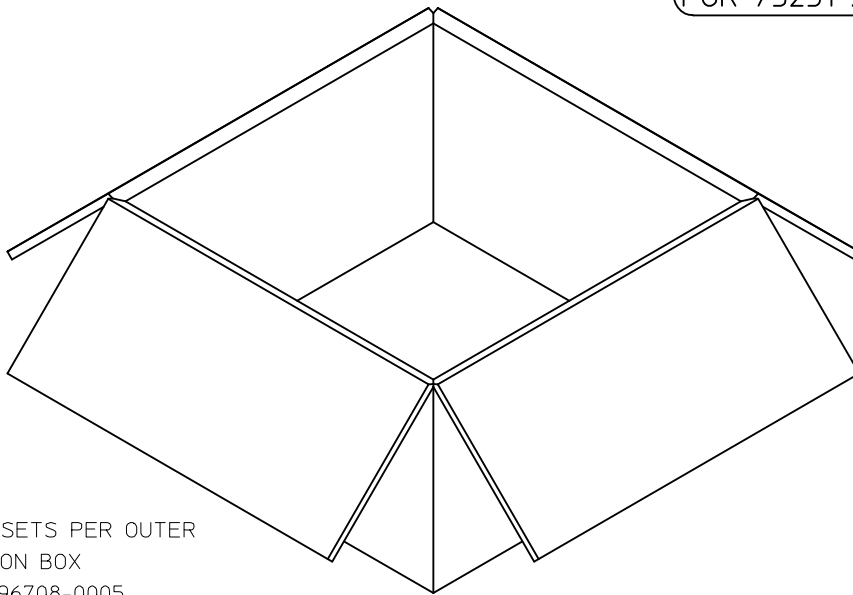


P/N: 73251-2203 / 73251-2204

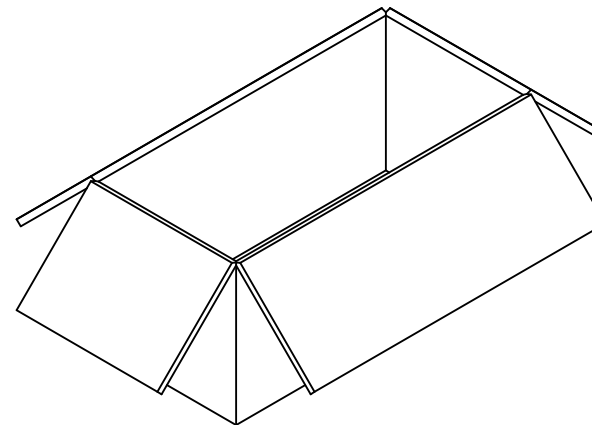


54 SETS PER TRAY  
TRAY P/N: 89707-0220

FOR 73251-2203 AND 73251-2204



1080 SETS PER OUTER  
CARTON BOX  
P/N: 96708-0005



540 SETS PER INNER  
CARTON BOX  
P/N: 96707-0001

CHG:SEE SHEET 1  
EC NO: URF2013-0734  
DRAWN:RYEH 2013/06/28  
CHKD:  
APPR:MHUANG 2013/07/26

REV	DESCRIPTION
A	

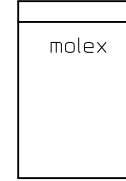
QUALITY SYMBOLS	
	=0
	=0
	=0

GENERAL TOLERANCES (UNLESS SPECIFIED)	
	mm
4 PLACES	± .005
3 PLACES	± .008
2 PLACES	± .010
1 PLACE	± .015
0 PLACE	± .020

DIMENSION STYLE		SCALE	DESIGN UNITS	THIRD ANGLE PROJECTION
MM/IN		2:1	METRIC	
DRAWN BY RYEH		DATE 2013/06/28		
CHECKED BY KERRIE		DATE 2013/06/28		
APPROVED BY MHUANG		DATE 2013/07/26		
MATERIAL NO.		DOCUMENT NO.		
SEE TABLE		SD-73251-220-PKG		
DRAFT WHERE APPLICABLE MUST REMAIN WITHIN DIMENSIONS		SHEET NO. 3 OF 4		



P/N: 73251-2207



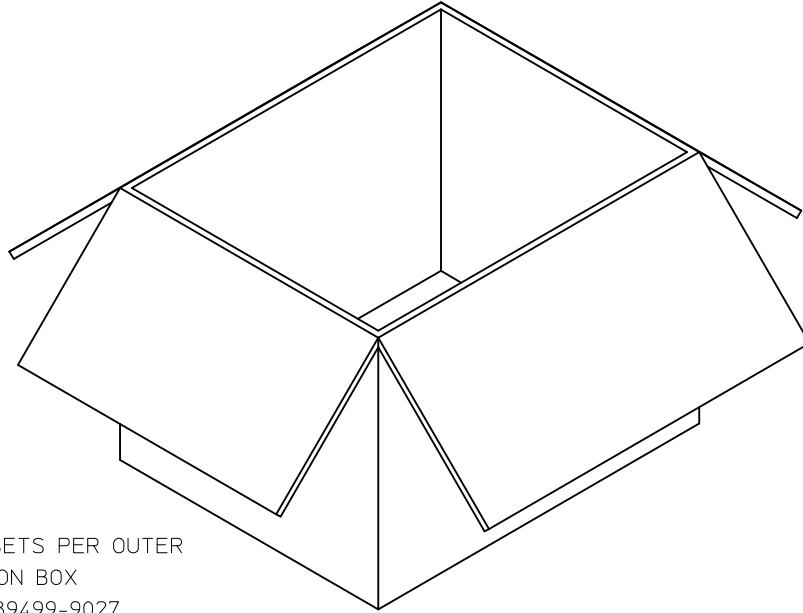
molex

1 SET PER POLYBAG  
P/N: 89707-0317

FOR 73251-2207 ONLY



50 SETS PER POLYBAG  
P/N: 89707-0174



500 SETS PER OUTER  
CARTON BOX  
P/N: 89499-9027



CHG:SEE SHEET 1  
EC NO: URF2013-0734  
DRAWN:RYEH 2013/06/28  
CHKD:  
APPR:MHUANG 2013/07/26

REV	DESCRIPTION	QUALITY SYMBOLS
A		▽=0
		▽=0
		▽=0

GENERAL TOLERANCES (UNLESS SPECIFIED)

	MM/IN	
	mm	INCH
4 PLACES	± .005	± .0005
3 PLACES	± .005	± .0005
2 PLACES	± .005	± .0005
1 PLACE	± .005	± .0005
0 PLACE	± .005	± .0005

ANGULAR ± 2 °

DRAFT WHERE APPLICABLE MUST REMAIN WITHIN DIMENSIONS

DIMENSION STYLE		SCALE	DESIGN UNITS	THIRD ANGLE PROJECTION
MM/IN		1:1	METRIC	
DRAWN BY	DATE	TITLE SMA JACK R/A PCB TH 50 OHMS SMA-J/PCB <b>molex</b>		
RYEH	2013/06/28			
CHECKED BY	DATE			
KERRIE	2013/06/28			
APPROVED BY	DATE	DOCUMENT NO. SD-73251-220-PKG		
MHUANG	2013/07/26			
MATERIAL NO.	SHEET NO.			
SEE TABLE	4 OF 4			

THIS DRAWING CONTAINS INFORMATION THAT IS PROPRIETARY TO MOLEX INCORPORATED AND SHOULD NOT BE USED WITHOUT WRITTEN PERMISSION

**MATERIALS AND FINISHES:**

BODY, JAM NUT: BRASS  
FINISH: SEE TABLE

CENTER CONTACT: BERYLLIUM COPPER  
PLATED GOLD

INSULATOR: TEFLON

LOCK WASHER: PHOSPHOR BRONZE  
FINISH: SEE TABLE

PACKAGING: SEE TABLE

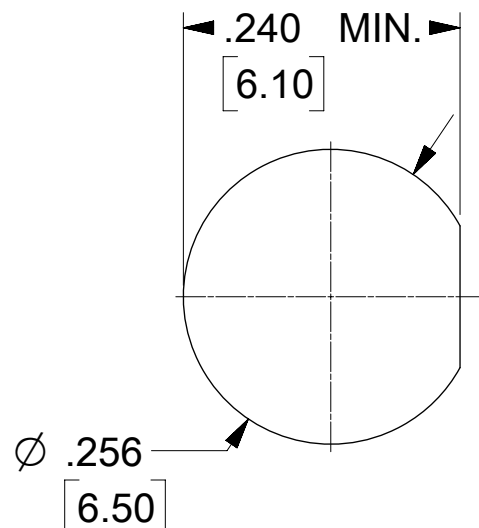
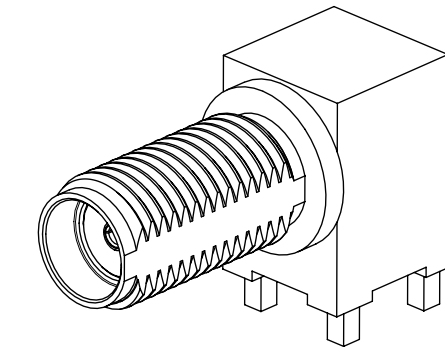
**ELECTRICAL REQUIREMENTS:**

**1. VOLTAGE STANDING WAVE RATIO**

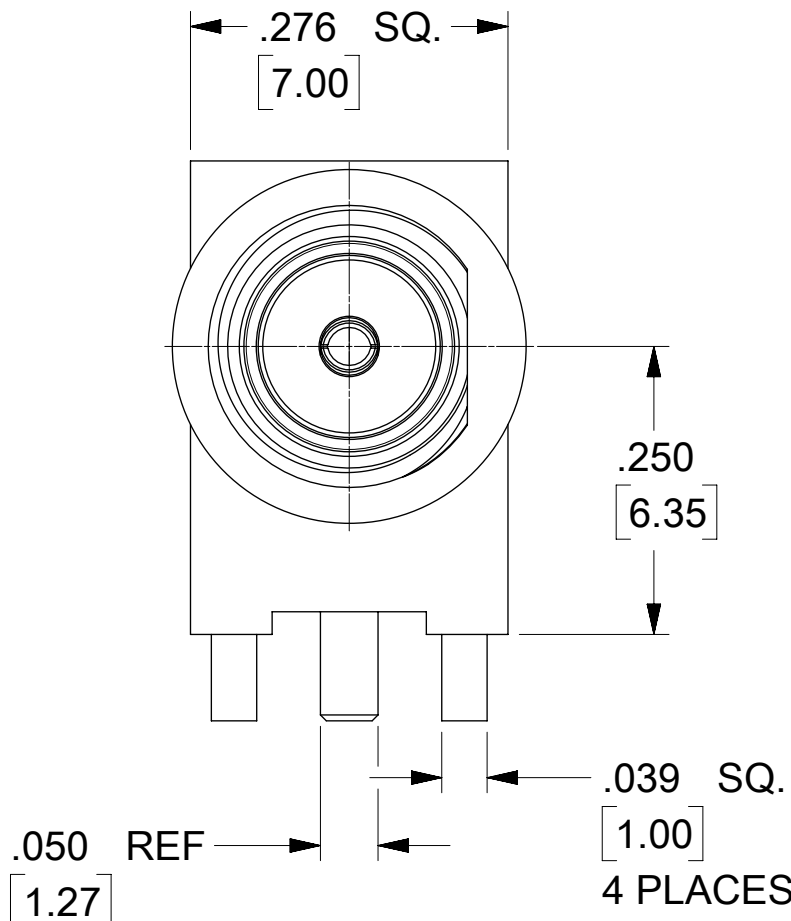
- 1.1(MAX) @0-6GHz.
- 1.5(MAX) @6-12GHz.
- 1.8(MAX) @12-18GHz.

**2. RF INSERTION LOSS:**

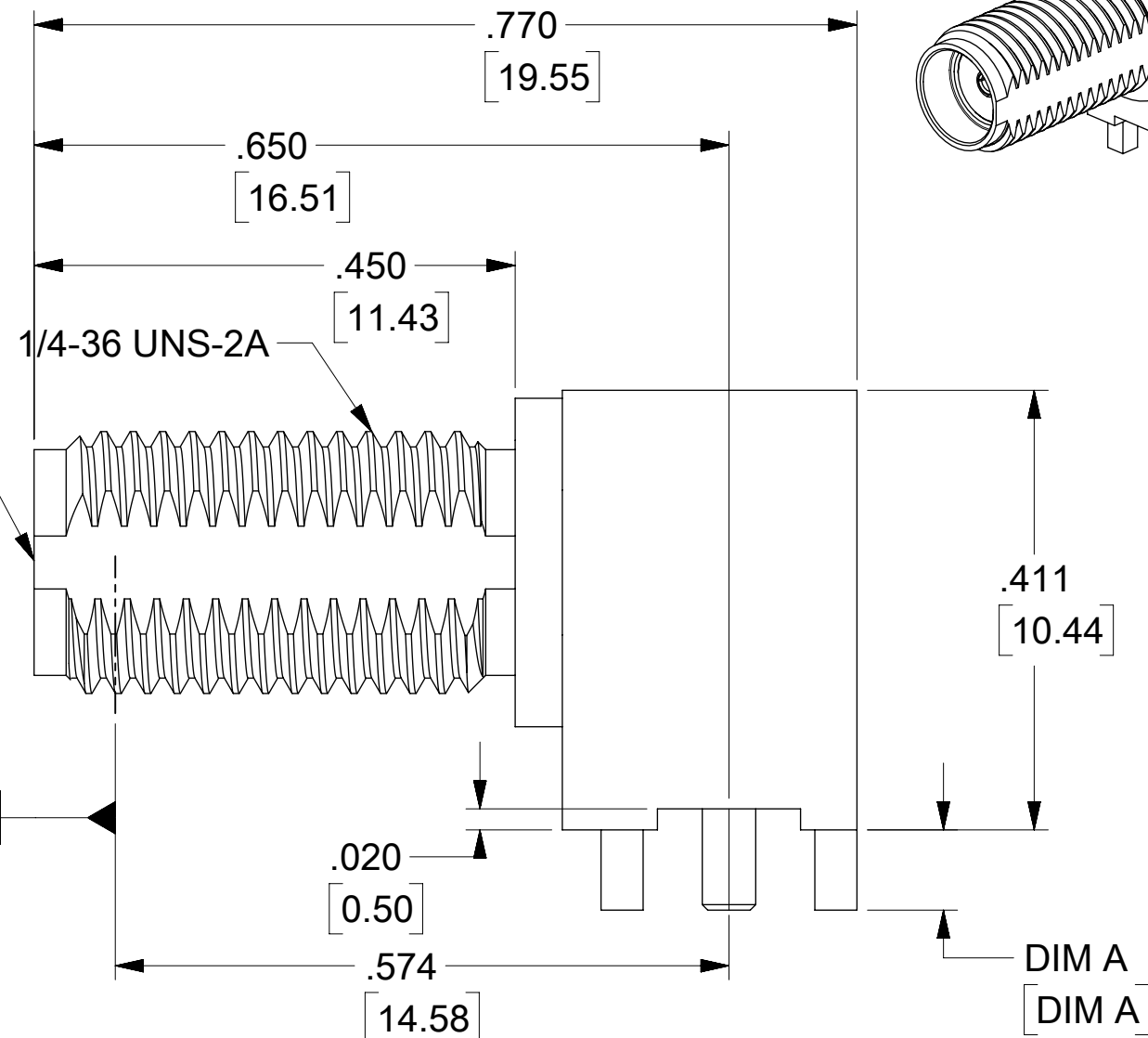
- 0.1(MAX) @0-6GHz.
- 0.4(MAX) @6-12GHz.
- 0.7(MAX) @12-18GHz.



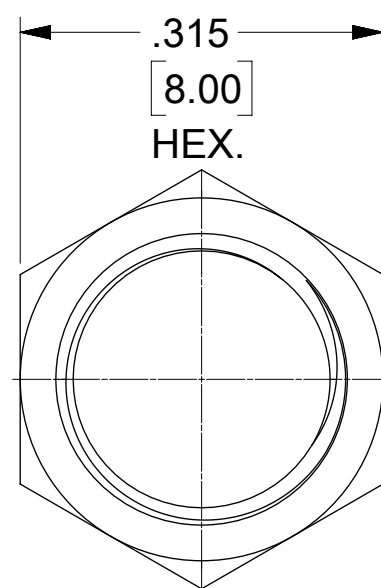
PANEL CUTOUT  
.135 / 3.42 MAX  
THICKNESS



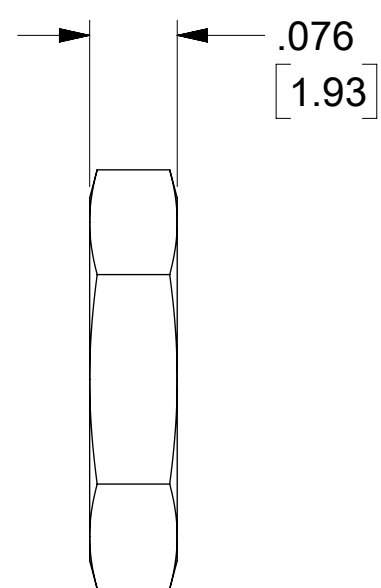
SMA JACK  
INTERFACE



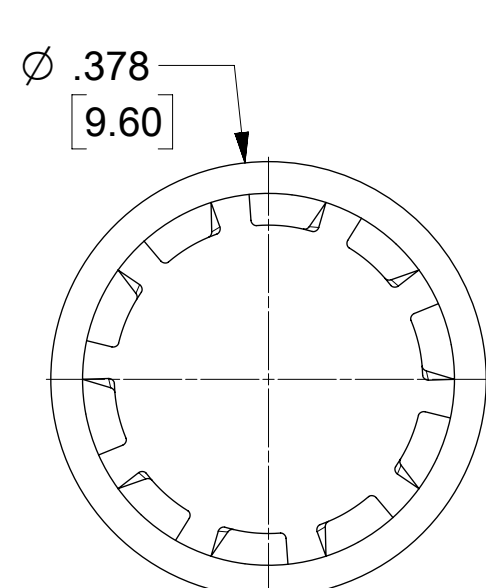
73251-4967	73251-2201 TAPE AND REEL
73251-4966	BAG
73251-4965	TRAY
73251-4964	
73251-4963	
73251-4962	
73251-4961	
73251-4960	
PART NO.	PACKAGING



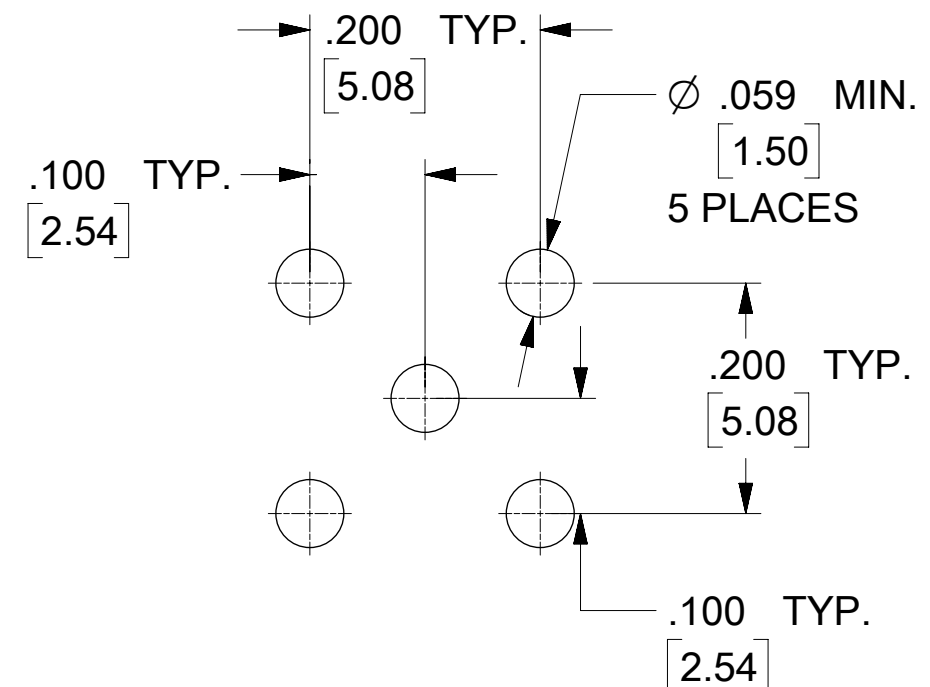
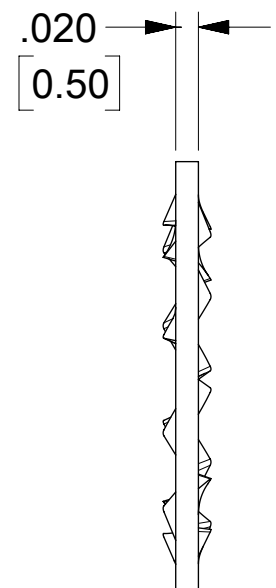
HEX.



JAM NUT



LOCK WASHER



RECOMMENDED PCB LAYOUT

SD-73251-496 IS CONTINUATION FOR SD-73251-220

PART NO.	JAM NUT QTY	WASHER QTY	IN / MM	BODY	CONTACT	JAM NUT & LOCK WASHER
73251-4967	1	1	.110 / 2.79	GOLD (5μ-in MIN) OVER NICKEL (50μ-in MIN)	GOLD (30μ-in MIN) OVER NICKEL(100μ-in MIN)	GOLD (1μ-in MIN) OVER NICKEL (50μ-in MIN)
73251-4966	1	1	.110 / 2.79	NICKEL (100μ-in MIN)	GOLD (30μ-in MIN) OVER NICKEL(100μ-in MIN)	NICKEL (100μ-in MIN)
73251-4965	2	1	.110 / 2.79	GOLD (5μ-in MIN) OVER NICKEL (50μ-in MIN)	GOLD (30μ-in MIN) OVER NICKEL(100μ-in MIN)	GOLD (1μ-in MIN) OVER NICKEL (50μ-in MIN)
73251-4964	1	1	.075 / 1.91	GOLD (5μ-in MIN) OVER NICKEL (50μ-in MIN)	GOLD (30μ-in MIN) OVER NICKEL(100μ-in MIN)	GOLD (1μ-in MIN) OVER NICKEL (50μ-in MIN)
73251-4963	NOT INCLUDED	NOT INCLUDED	.110 / 2.79	GOLD (5μ-in MIN) OVER NICKEL (50μ-in MIN)	GOLD (30μ-in MIN) OVER NICKEL(100μ-in MIN)	-----
73251-4962	1	NOT INCLUDED	.110 / 2.79	NICKEL (100μ-in MIN)	GOLD (30μ-in MIN) OVER NICKEL(100μ-in MIN)	NICKEL (100μ-in MIN)
73251-4961	2	1	.155 / 3.94	GOLD (1μ-in MIN) OVER NICKEL (50μ-in MIN)	GOLD (1μ-in MIN) OVER NICKEL (50μ-in MIN)	GOLD (1μ-in MIN) OVER NICKEL (50μ-in MIN)
73251-4960	1	1	.075 / 1.91	GOLD (1μ-in MIN) OVER NICKEL (50μ-in MIN)	GOLD (1μ-in MIN) OVER NICKEL (50μ-in MIN)	GOLD (1μ-in MIN) OVER NICKEL (50μ-in MIN)
	INCLUDED	INCLUDED	DIM A	PLATING	PLATING	PLATING

PS-89675-3460	PRODUCT SPECIFICATION
MIL-STD-348A, FIG. 310.2	INTERFACE
SPECIFICATION	DESCRIPTION

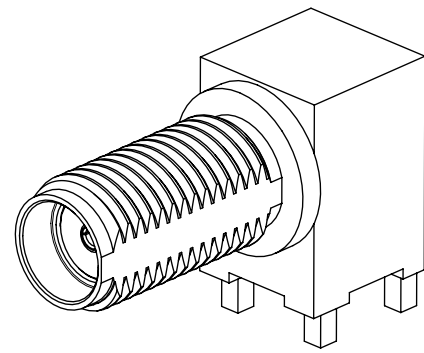
FUNCTIONAL SYMBOLS		THIS DRAWING CONTAINS INFORMATION THAT IS PROPRIETARY TO MOLEX ELECTRONIC TECHNOLOGIES, LLC AND SHOULD NOT BE USED WITHOUT WRITTEN PERMISSION	
FA = 0	DIMENSION UNITS	SCALE	CURRENT REV DESC: ADD P/N 73251-4967 FOR TR PACKAGING PER EWR14716-C
EA = 0	INCH/MM	NTS	
EP = 0	GENERAL TOLERANCES (UNLESS SPECIFIED)		
	ANGULAR TOL	± °	
	4 PLACES	±	EC NO: 737836
	3 PLACES	±	DRWN: CWEI02 2023/02/03
	2 PLACES	±	CHK'D: YCHENG 2023/02/10
	1 PLACE	±	APPR: YCHENG 2023/02/10
	0 PLACES	±	INITIAL REVISION:
			DRWN: AROBERTSON 2012/11/21
			APPR: JWIENER 2012/11/27
DIVISIONAL SYMBOLS		THIRD ANGLE PROJECTION	DRAWING SERIES
DRAFT WHERE APPLICABLE MUST REMAIN WITHIN DIMENSIONS		C-SIZE	73251
DOCUMENT STATUS		MATERIAL NUMBER	CUSTOMER
P1	RELEASE DATE	SEE TABLE	GENERAL MARKET
2023/02/10	08:51:15		
DOC TYPE		DOC PART	REVISION
PSD	000	B10	
SHEET NUMBER		1 OF 6	



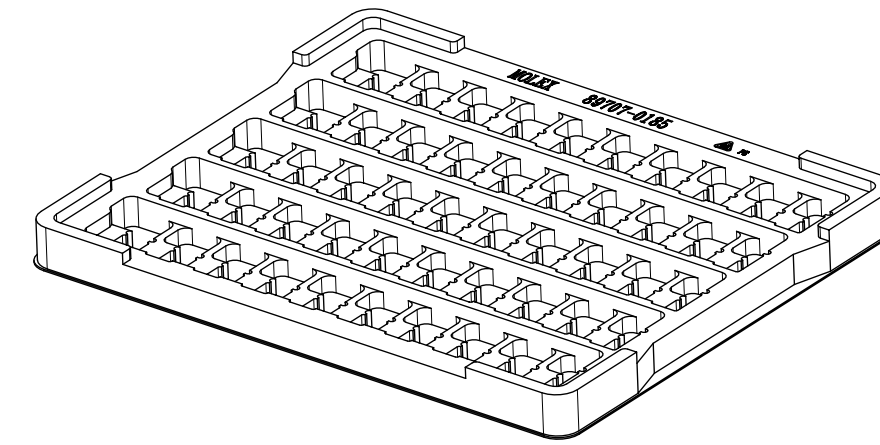
SMA JACK RA  
BLKHD RM PCB TH SMA-J/RA/PCB, EWR-2144

PRODUCT CUSTOMER DRAWING

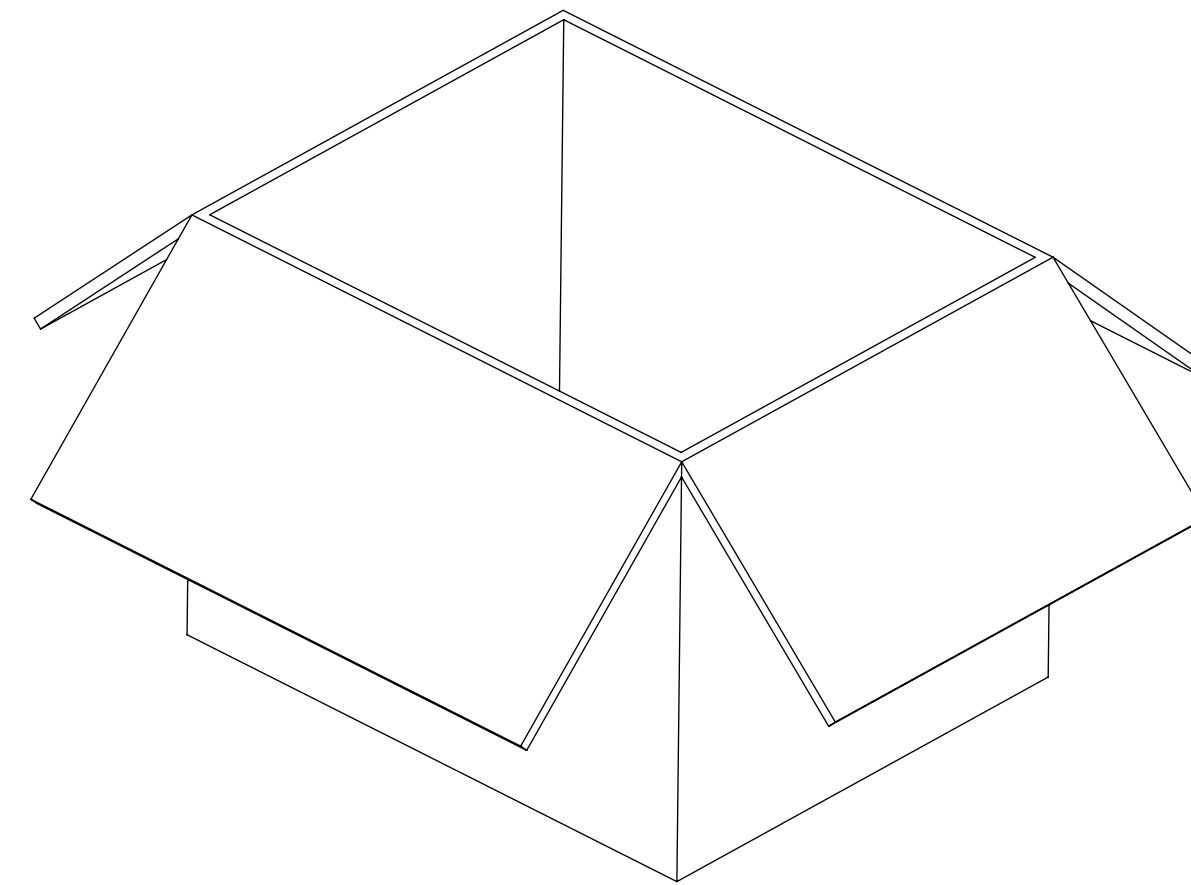
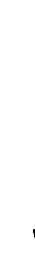
SD-73251-496




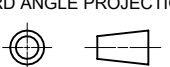
PART NO : 73251-4960  
 PART NO: 73251-4962  
 PART NO: 73251-4963  
 PART NO: 73251-4964  
 PART NO: 73251-4965



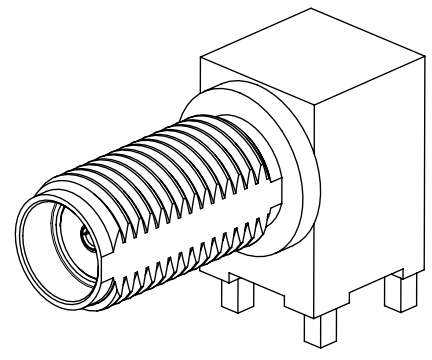
50 SET PER TRAY  
 P/N: 89707-0185



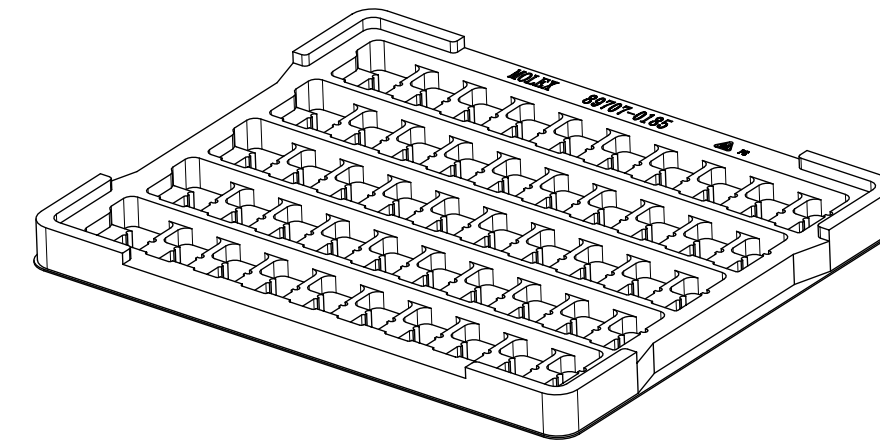
1400 SET PER OUTER CARTON BOX  
 P/N: 89499-9027

FUNCTIONAL SYMBOLS	THIS DRAWING CONTAINS INFORMATION THAT IS PROPRIETARY TO MOLEX ELECTRONIC TECHNOLOGIES, LLC AND SHOULD NOT BE USED WITHOUT WRITTEN PERMISSION										
	DIMENSION UNITS	SCALE	CURRENT REV DESC: ADD P/N 73251-4967 FOR TR PACKAGING PER EWR14716-C								
$\frac{F}{A} = 0$	INCH/MM	NTS	EWR-14242-J ADDED LABEL FORMAT FOR 73251-4966								
$\frac{F}{C} = 0$	GENERAL TOLERANCES (UNLESS SPECIFIED)		EC NO: 737836								PRODUCT CUSTOMER DRAWING
$\frac{F}{P} = 0$	ANGULAR TOL ± °		DRWN: CWEI02 2023/02/03								
DIVISIONAL SYMBOLS	4 PLACES ±		CHK'D: YCHENG 2023/02/10								DOCUMENT NUMBER <b>SD-73251-496</b>
	3 PLACES ±		APPR: YCHENG 2023/02/10								
	2 PLACES ±		INITIAL REVISION:								DOC PART <b>000</b>
	1 PLACE ±		DRWN: AROBERTSON 2012/11/21								
0 PLACES ±		APPR: JWIENER 2012/11/27								MATERIAL NUMBER SEE TABLE	
DRAFT WHERE APPLICABLE MUST REMAIN WITHIN DIMENSIONS		THIRD ANGLE PROJECTION	DRAWING	SERIES	CUSTOMER	SHEET NUMBER					
			C-SIZE	73251	GENERAL MARKET	2 OF 6					

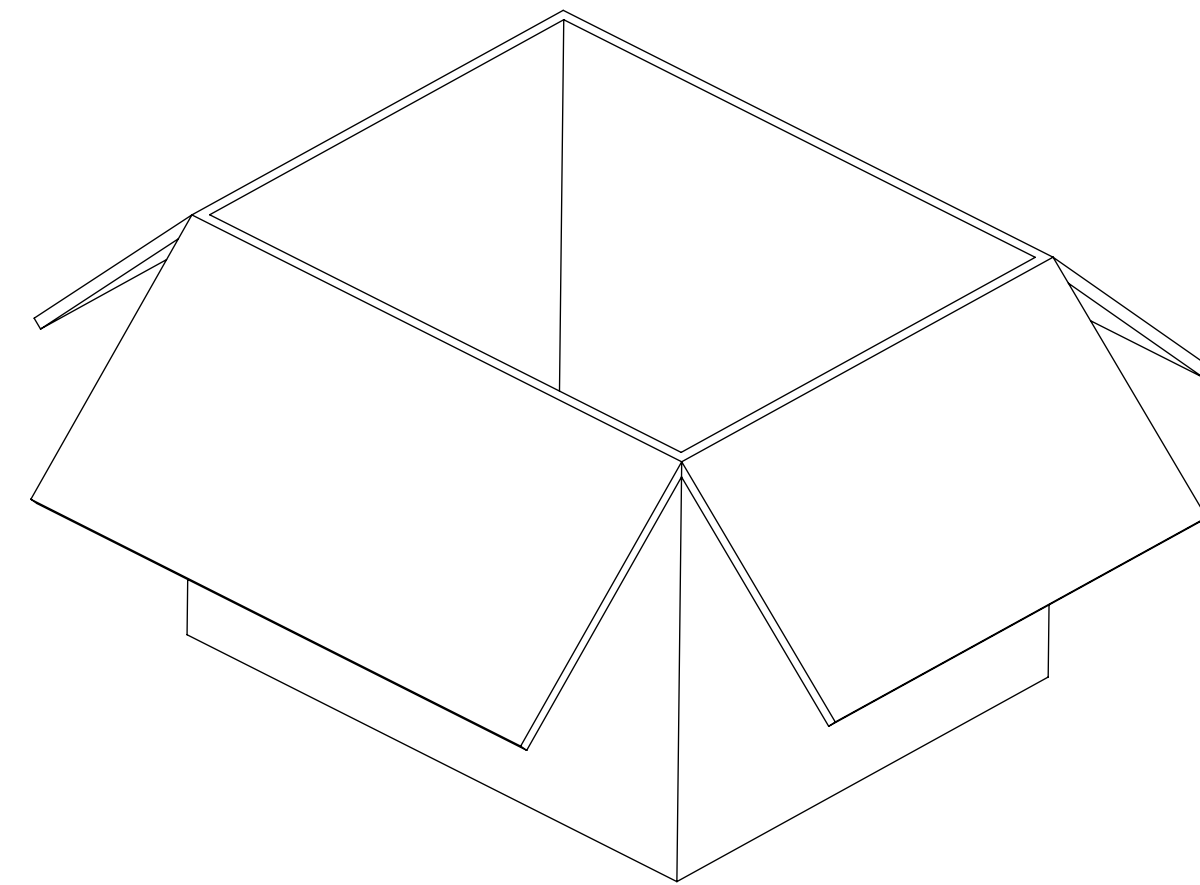
DOCUMENT STATUS	P1	RELEASE DATE	2023/02/10	08:51:15
-----------------	----	--------------	------------	----------




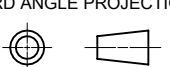
PART NO : 73251-4961



50 SET PER TRAY  
P/N: 89707-0185

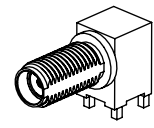


1200 SET PER OUTER CARTON BOX  
P/N: 89499-9027

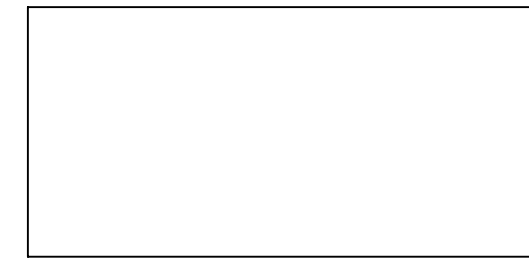
FUNCTIONAL SYMBOLS	THIS DRAWING CONTAINS INFORMATION THAT IS PROPRIETARY TO MOLEX ELECTRONIC TECHNOLOGIES, LLC AND SHOULD NOT BE USED WITHOUT WRITTEN PERMISSION												
	DIMENSION UNITS	SCALE	CURRENT REV DESC: ADD P/N 73251-4967 FOR TR PACKAGING PER EWR14716-C										
$\frac{F}{A} = 0$	INCH/MM	NTS	EWR-14242-J ADDED LABEL FORMAT FOR 73251-4966									SMA JACK RA BLKHD RM PCB TH SMA-J/RA/PCB, EWR-2144	
$\frac{F}{C} = 0$	GENERAL TOLERANCES (UNLESS SPECIFIED)		EC NO: 737836								PRODUCT CUSTOMER DRAWING		
$\frac{F}{P} = 0$	ANGULAR TOL $\pm$ °		DRWN: CWEI02 2023/02/03										
DIVISIONAL SYMBOLS	4 PLACES $\pm$		CHK'D: YCHENG 2023/02/10										
	3 PLACES $\pm$		APPR: YCHENG 2023/02/10										
	2 PLACES $\pm$		INITIAL REVISION:										
	1 PLACE $\pm$		DRWN: AROBERTSON 2012/11/21										
0 PLACES $\pm$		APPR: JWIENER 2012/11/27								DOCUMENT NUMBER <b>SD-73251-496</b>	DOC TYPE <b>PSD</b>	DOC PART <b>000</b>	REVISION <b>B10</b>
DRAFT WHERE APPLICABLE MUST REMAIN WITHIN DIMENSIONS		THIRD ANGLE PROJECTION	DRAWING	SERIES	MATERIAL NUMBER	CUSTOMER	SHEET NUMBER						
			C-SIZE	73251	SEE TABLE	GENERAL MARKET	3 OF 6						

DOCUMENT STATUS	P1	RELEASE DATE	2023/02/10	08:51:15
-----------------	----	--------------	------------	----------





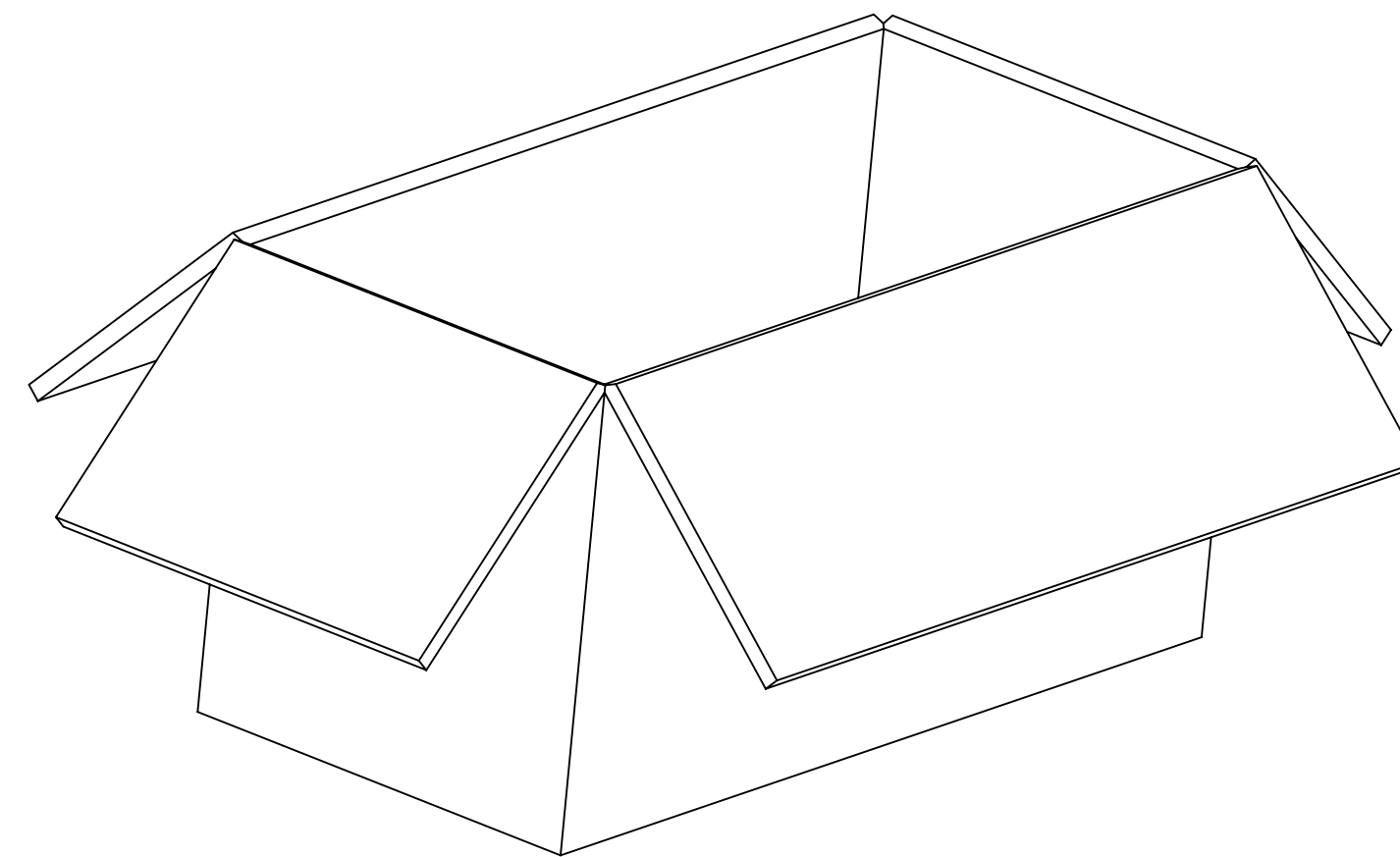
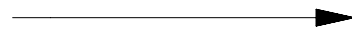
FOR 73251-4966 ONLY



1 SET PER POLYBAG  
P/N: 89707-0317



50 SET PER POLYBAG  
P/N: 89707-0176



500 SET PER OUTER CARTON BOX  
P/N: 96707-0002

LABEL FORMAT FOR  
73251-4966

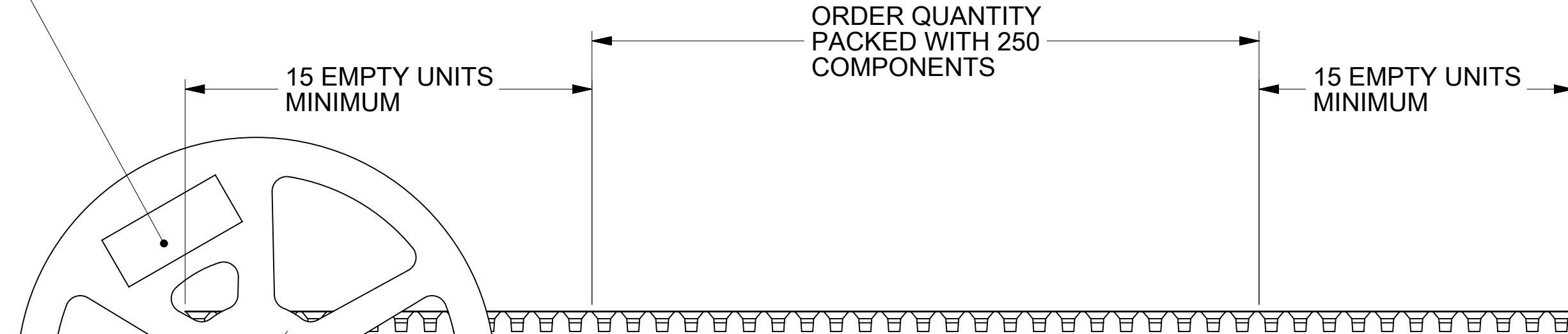
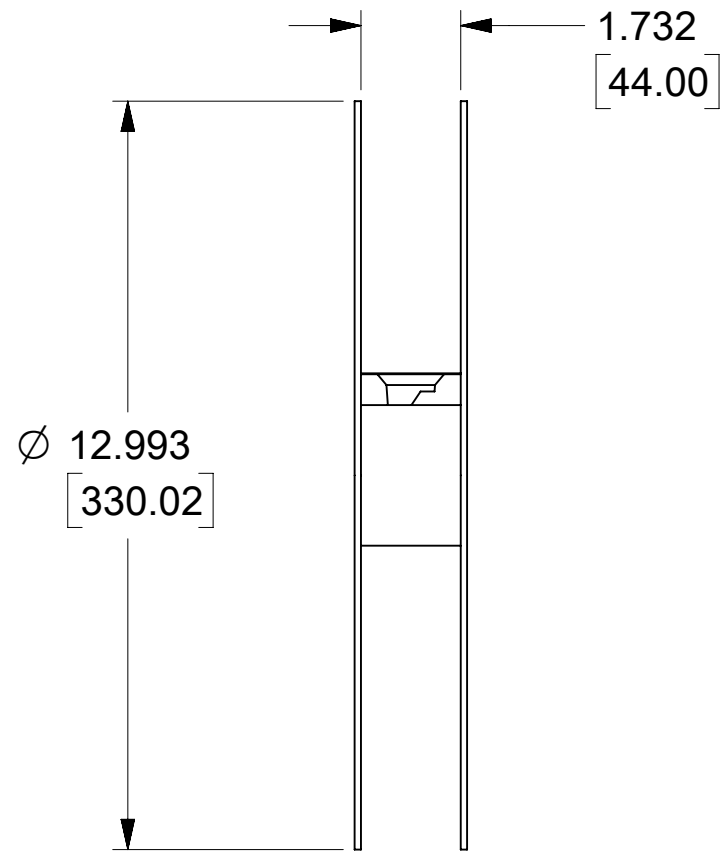
PART NUMBER : 73251-2200  
ORDER NUMBER : 73251-4966  
MOLEX  
DATE : YYWW

FUNCTIONAL SYMBOLS	THIS DRAWING CONTAINS INFORMATION THAT IS PROPRIETARY TO MOLEX ELECTRONIC TECHNOLOGIES, LLC AND SHOULD NOT BE USED WITHOUT WRITTEN PERMISSION										
	DIMENSION UNITS	SCALE	CURRENT REV DESC: ADD P/N 73251-4967 FOR TR PACKAGING PER EWR14716-C								
$\frac{F}{A} = 0$	INCH/MM	NTS	EWR-14242-J ADDED LABEL FORMAT FOR 73251-4966								
DIVISIONAL SYMBOLS	GENERAL TOLERANCES (UNLESS SPECIFIED)		EC NO: 737836								
	ANGULAR TOL $\pm$ °		DRWN: CWEI02 2023/02/03								
$\frac{E}{C} = 0$	4 PLACES $\pm$		CHK'D: YCHENG 2023/02/10								
$\frac{E}{P} = 0$	3 PLACES $\pm$		APPR: YCHENG 2023/02/10								
	2 PLACES $\pm$		INITIAL REVISION:								
	1 PLACE $\pm$		DRWN: AROBERTSON 2012/11/21								
	0 PLACES $\pm$		APPR: JWIENER 2012/11/27								
DRAFT WHERE APPLICABLE MUST REMAIN WITHIN DIMENSIONS			THIRD ANGLE PROJECTION	DRAWING	SERIES	MATERIAL NUMBER	CUSTOMER	SHEET NUMBER			
				C-SIZE	73251	SEE TABLE	GENERAL MARKET	SD-73251-496	PSD	000	B10
											4 OF 6



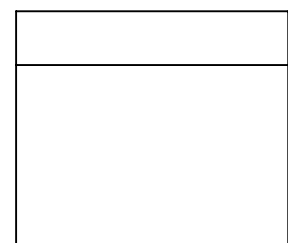
FOR 73251-4967 ONLY

LABEL:  
 -ORDER NUMBER  
 -QUANTITY  
 -PART NUMBER  
 -LOT NUMBER

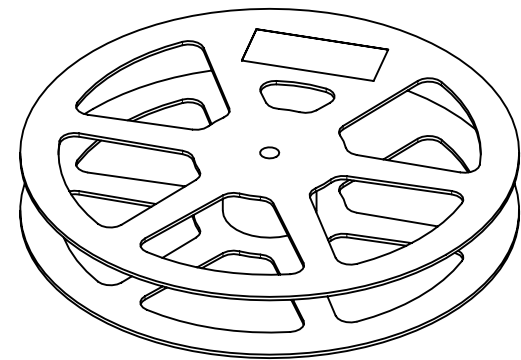


ORDER QUANTITY  
 PACKED WITH 250  
 COMPONENTS

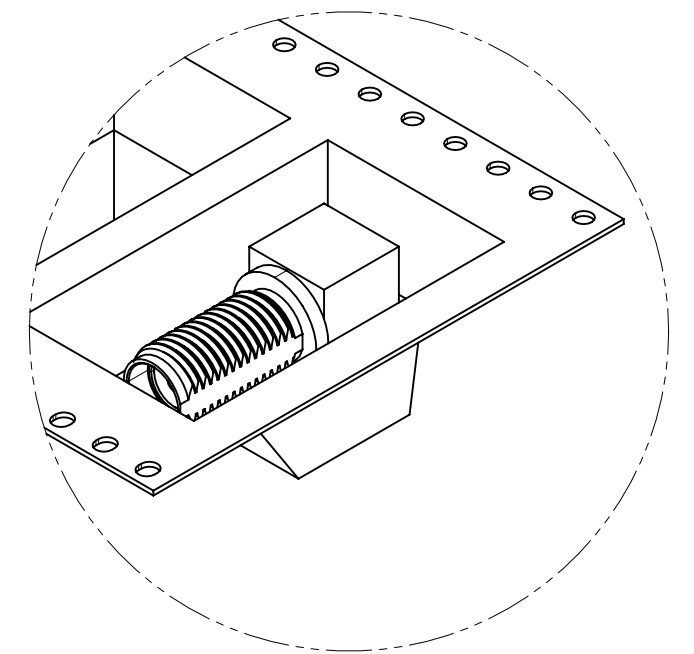
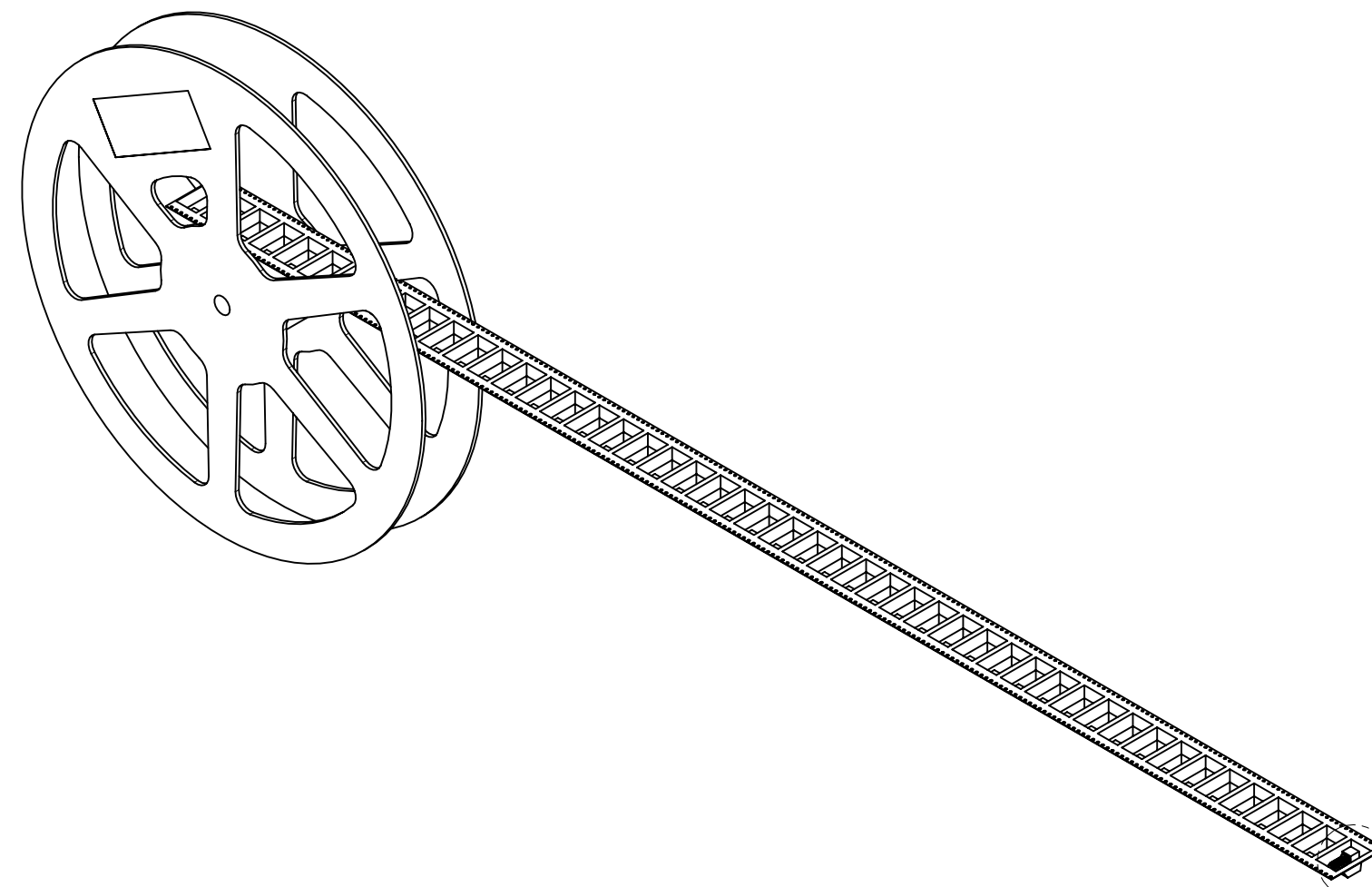
Ø .502 REF  
 [12.75]



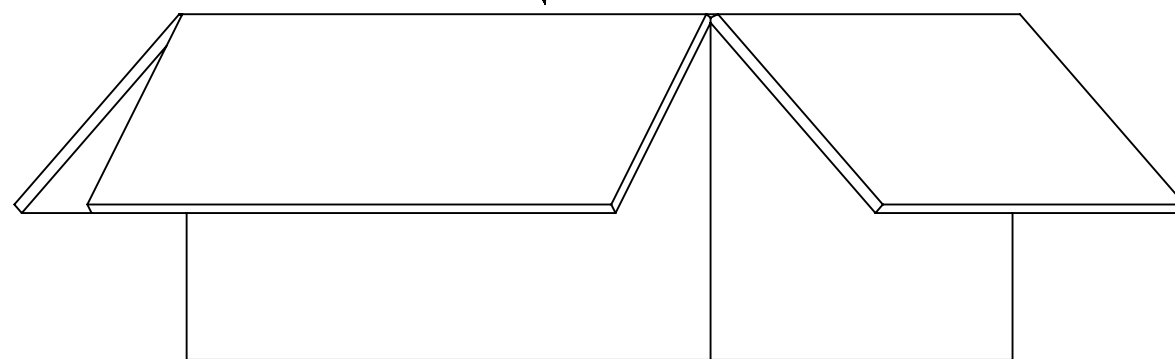
ACCESSORY



REELS X 4 PCS



DETAIL B



1000 SETS PER CARTON BOX  
 OUTER DIMENSION: 343 X 343X 220 MM

FUNCTIONAL SYMBOLS	THIS DRAWING CONTAINS INFORMATION THAT IS PROPRIETARY TO MOLEX ELECTRONIC TECHNOLOGIES, LLC AND SHOULD NOT BE USED WITHOUT WRITTEN PERMISSION										
	DIMENSION UNITS	SCALE	CURRENT REV DESC: ADD P/N 73251-4967 FOR TR PACKAGING PER EWR14716-C								<b>molex</b>
FA = 0	INCH/MM	NTS	GENERAL TOLERANCES (UNLESS SPECIFIED)		EC NO: 737836		2023/02/03		SMA JACK RA		
EA = 0			ANGULAR TOL ± °		DRWN: CWEI02		2023/02/10		BLKHD RM PCB TH SMA-J/RA/PCB, EWR-2144		
EP = 0			4 PLACES ±		CHK'D: YCHENG		2023/02/10		PRODUCT CUSTOMER DRAWING		
DIVISIONAL SYMBOLS			3 PLACES ±		APPR: YCHENG		2023/02/10		DOCUMENT NUMBER		
			2 PLACES ±		INITIAL REVISION:				DOC TYPE   DOC PART   REVISION		
			1 PLACE ±		DRWN: AROBERTSON		2012/11/21		SD-73251-496		
		0 PLACES ±		APPR: JWIENER		2012/11/27		PSD 000 B10			
DRAFT WHERE APPLICABLE MUST REMAIN WITHIN DIMENSIONS			THIRD ANGLE PROJECTION		DRAWING		SERIES		MATERIAL NUMBER		
			C-SIZE		73251		SEE TABLE		CUSTOMER		
							GENERAL MARKET		SHEET NUMBER		
							6 OF 6				

DOCUMENT STATUS	P1	RELEASE DATE	2023/02/10	08:51:15
-----------------	----	--------------	------------	----------