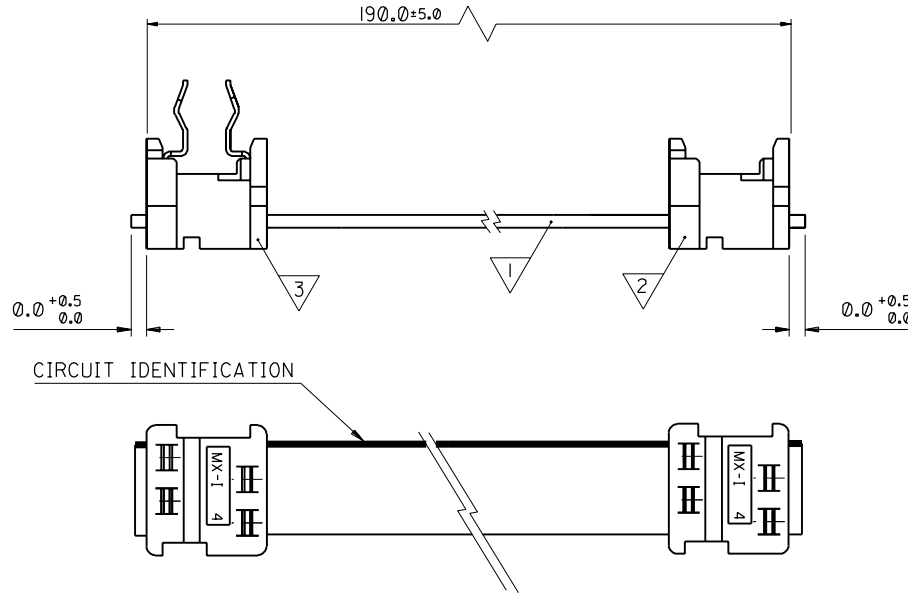


PART NO. 92301-0091  
 DWG. NO. SD-92301-127



PART NUMBER	ITEM	COMPONENT	DESCRIPTION	QUANTITY	NOTE
MOLEX 92301-0091	▽	99026-0024	4 CCT 28 AWG STRANDED TINNED RIBBON CABLE	1	4, 5
SEMI-TECH 96010048	▽ ▽	90327-0304 90584-0304	PICOFLEX FEMALE IDT CONNECTOR PICOFLEX BOARD-IN IDT CONNECTOR	1 1	1, 2, 5 1, 3, 5

NOTES:

1. SEE PRODUCT SPECIFICATIONS PS-99020-0011.
2. SEE TERMINATION SPECIFICATION ES-99033-0001.
3. SEE TERMINATION SPECIFICATION ES-99033-0002.
4. SEE CABLE SPECIFICATION ES-99027-0006.
5. HARNESSES TO BE 100% ELECTRICALLY TESTED.

ORIGINAL RELEASE EC NO. E90214 DRWN: D.RYAN 98/11/20 CHK: / / / APPR: / / / REV A	QUALITY SYMBOLS MAJOR = ▽ CRITICAL = ▽	GENERAL TOLERANCES: (UNLESS SPECIFIED) mm      INCH 4 PLACES ±0.      ±. 3 PLACES ±0.      ±. 2 PLACES ±0.      ±. 1 PLACE ±0.      ±.	SCALE 1:1 DESIGN UNITS <input checked="" type="checkbox"/> mm <input type="checkbox"/> INCH	DRAWN BY & DATE D.RYAN 98/11/11 CHECKED BY & DATE M.CURRAN 98/11/11 APPROVED BY & DATE MWILHITE 98/11/11	DIMENSIONS: <input type="checkbox"/> mm <input type="checkbox"/> INCH <input checked="" type="checkbox"/> mm ONLY	THIRD ANGLE PROJECTION	TITLE: 4CCT RIBBON HARNESS	SHT REV	
	DRAFT WHERE APPLICABLE MUST REMAIN WITHIN DIMENSIONS		CAD FILENAME S9230191.DGN	MATERIAL NO. 92301-0091	DRAWING NO. SD-92301-127	SHEET NO. 1 OF 1	SIZE B		
	THIS DRAWING CONTAINS INFORMATION THAT IS PROPRIETARY TO MOLEX INCORPORATED AND SHOULD NOT BE USED WITHOUT WRITTEN PERMISSION.							MOLEX INCORPORATED	REVISE ON CAD ONLY
									REVISE ON CAD ONLY