

5

4

3

2

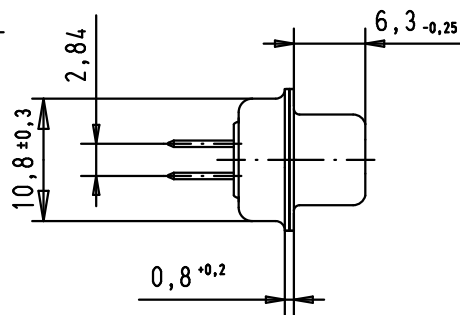
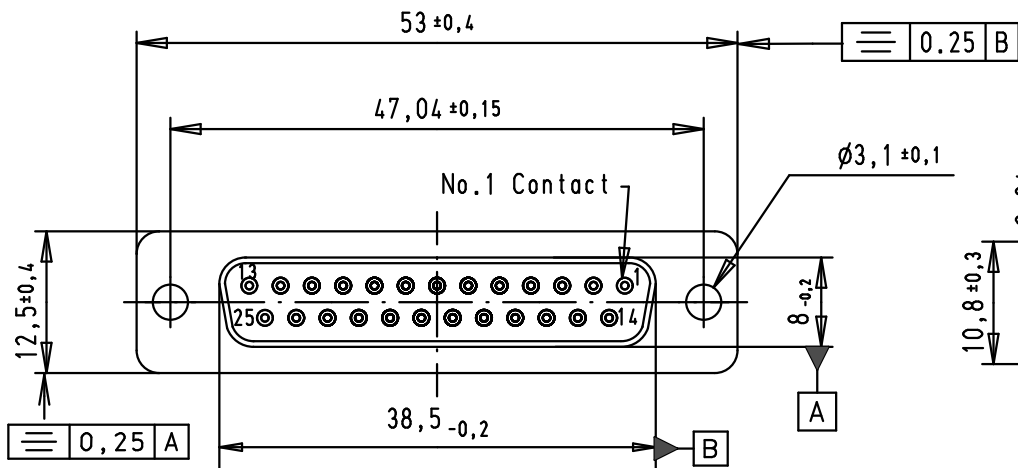
1

D

C

B

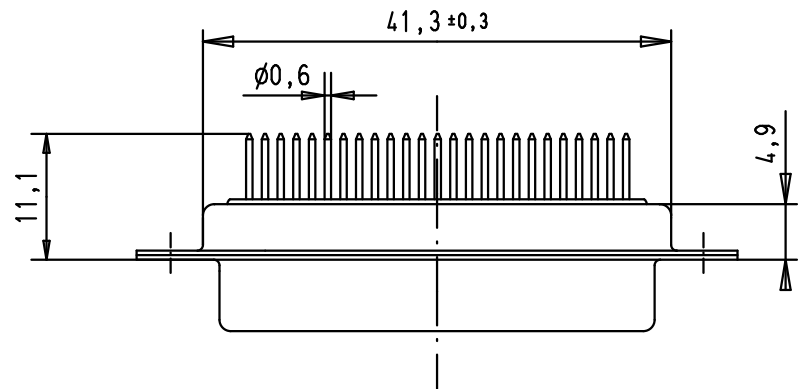
A



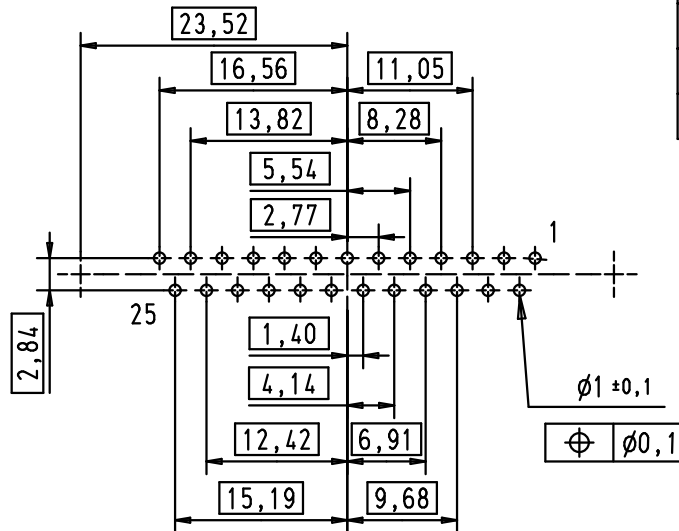
SPECIFICATION



Performance level	PL2
Filter type	C
Capacitance	47pf ± 20%
Working Voltage	100v
Current Rating	7,5A
Insulation Resistance	>1GΩ

FREQUENCY (MHZ)	ATTENUATION dB
5	-
10	-
50	-
100	-
500	30dB
1000	35dB



PCB Layout Component side



			Dot.	Name	 All Dim. in mm Orig. Size DIN A 4
		Detail.	8-JUL-02	CV	
		Insp.	09/12/11	JB	
		Stand.			
36283	09/12/11	SD			
33274	30/11/05	JMDR			
31058	8-JUL-02	CV			
Mod.	Dot.	Name	HARTING EURL F-95972 Paris		

D-Sub, female, straight,
25 Poles, turned solder pins,
fixing holes

TB 09643127210

Sub.

Mo?Mstab/
Scale
1.5:1

Blatt/ Page
1 / 1