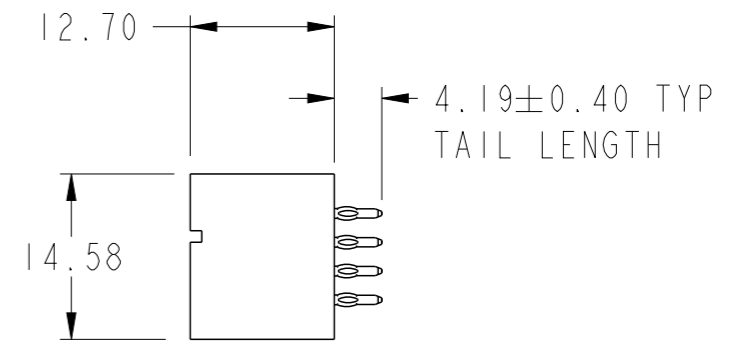
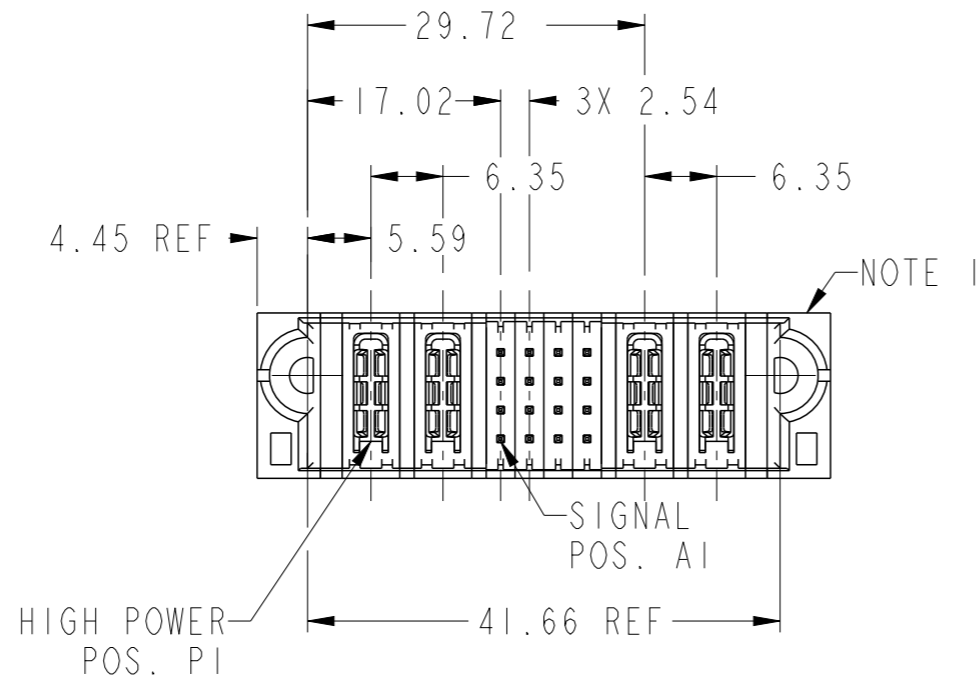
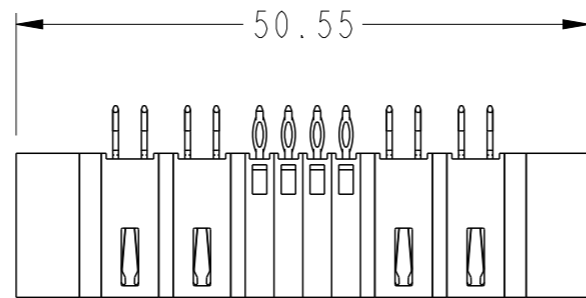
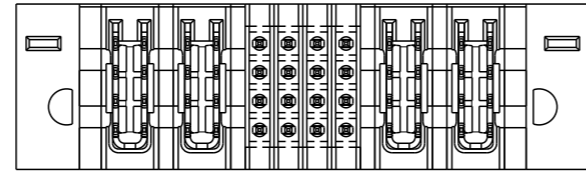


PART NUMBER SEE SHEET 2



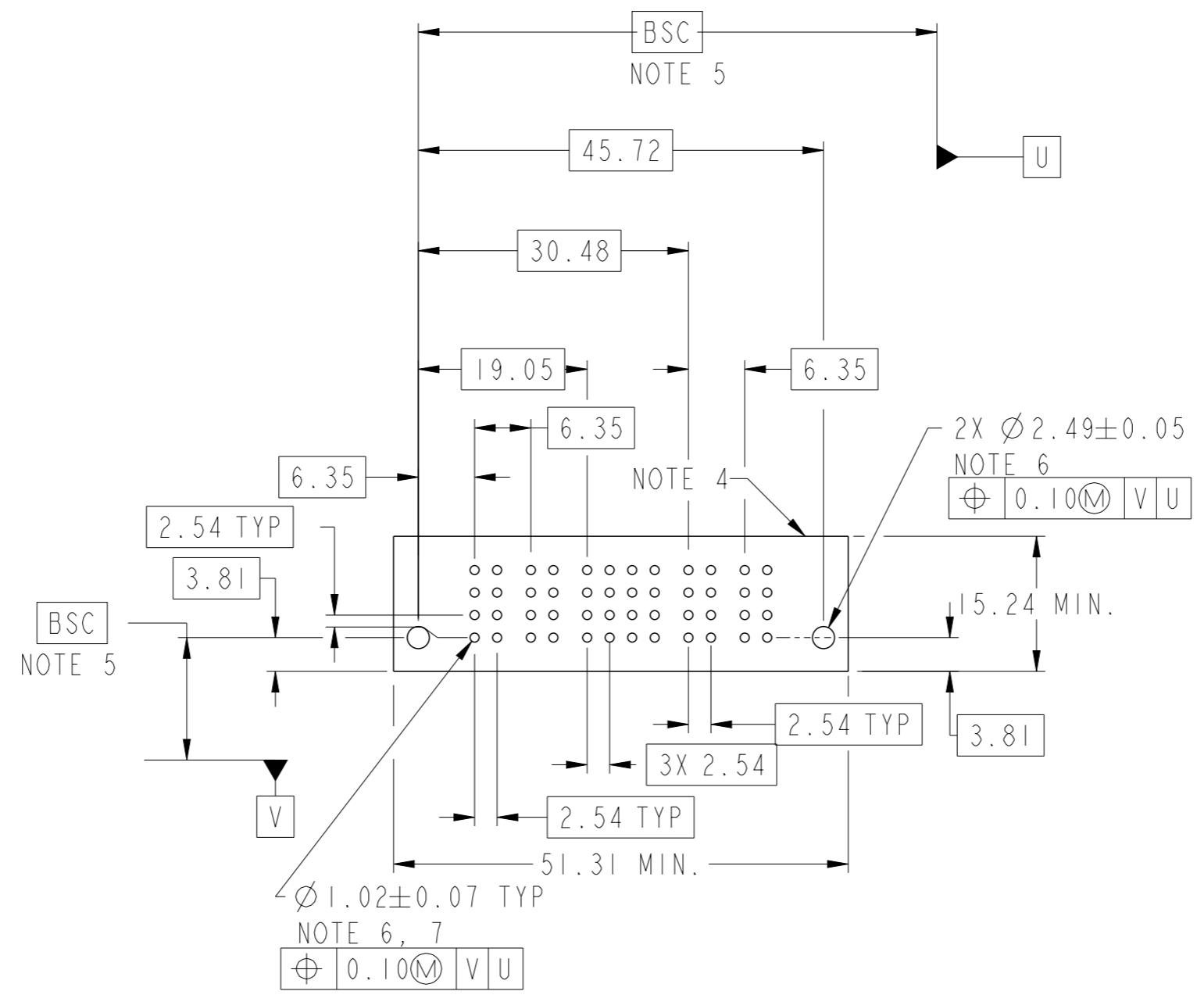
spec ref	*	dr	Xie Bob	2013/10/09	projection	MM	size	A3	scale	3:2	
tolerance std	ASME Y14.5	eng	Eddy Zeng	2013/12/03			ecn no	-	rel level	Released	
TOLERANCES UNLESS OTHERWISE SPECIFIED		chr	Li-He	2013/12/02							
surface	linear	appr	Pei-Ming Zheng	2013/12/03	product family	PwrBlade+	rel level	Released			
ASME Y14.5	angular	0°	±2°	www.fci.com	cat. no.	2HP + 16S + 2HP VERTICAL PF HEADER		dwg no	10106129-4004001	rev	A
Product - Customer Drw					sheet 1 of 3						



Copyright FCI.

PRODUCT NO. 10106129-4004001LF	ROWS DCBA	HP		SIGNAL				HP		E2
		E1	P1	P2	1	2	3	4	P3	

CODE	DESCRIPTION
G	STD SIGNAL CONTACT'
H4	STD POWER CONTACT'



dr	Xie Bob	2013/10/09	projection	MM	size	A3	scale	3:2	
eng	Eddy Zeng	2013/12/03		← →	ecn no				
chr	Li-He	2013/12/02			rel level	Released			
appr	Pei-Ming Zheng	2013/12/03	product family	PwrBlade+					
			2HP + 16S + 2HP VERTICAL PF HEADER		dwg no	10106129-4004001		rev	A
www.fci.com			cat. no.	Product - Customer Drw			sheet 2 of 3		

Copyright FCI.

A

B

C

D

A

B

C

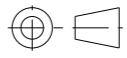
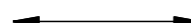

D

NOTES:

- 1) "FCI", PART NUMBER AND DATE CODE TO BE MARKED ON THIS SURFACE.  
THE MARK CAN BE OMITTED IF THERE IS NOT ENOUGH SPACE ON THIS SURFACE.
- 2) MATERIALS:  
-HOUSING - GLASS FILLED WITH HIGH TEMP THERMOPLASTIC, UL94V-0.  
-SIGNAL CONTACT - COPPER ALLOY.  
-POWER CONTACT - HIGH CONDUCTIVITY COPPER ALLOY.
- 3) PLATING SPECIFICATION REFER TO FCI 10116351
- 4) DENOTES CONNECTOR KEEP OUT ZONE.
- 5) DATUM AND BASIC DIMENIONS WERE ESTABLISHED BY CUSTOMER.
- 6) ALL HOLE DIAMETERS ARE FINISHED HOLE SIZES.
- 7)  $1.15 \pm 0.025$ MM DRILLED HOLE PLATED WITH 0.00762MM MIN Sn  
OVER 0.0254-0.0762MM Cu PLATING TO ACHIEVE A  $1.02 \pm 0.07$ MM HOLE.
- 8) PRODUCT SPECIFICATION REFER TO FCI GS-12-658.  
APPLICATION SPECIFICATION REFER TO FCI GS-20-141.  
PRODUCT PACKAGED IN TRAYS, REFER TO FCI GS-14-1502.



Copyright FCI.

dr	Xie Bob	2013/10/09	projection 	MM 	size	A3	scale	3:2
eng	Eddy Zeng	2013/12/03			ecn no	-		
chr	Li-He	2013/12/02			product family	PwrBlade+	rel level	Released
appr	Pei-Ming Zheng	2013/12/03			 2HP + 16S + 2HP VERTICAL PF HEADER		dwg no 10106129-4004001	rev A
www.fci.com		cat. no.	Product - Customer Drw		sheet 3 of 3			