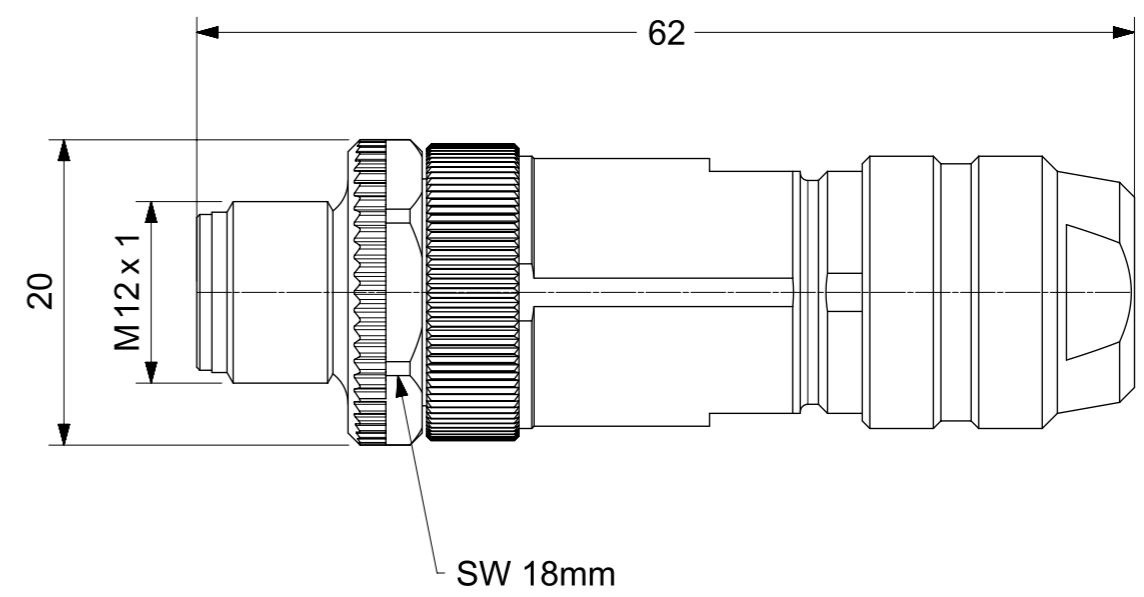
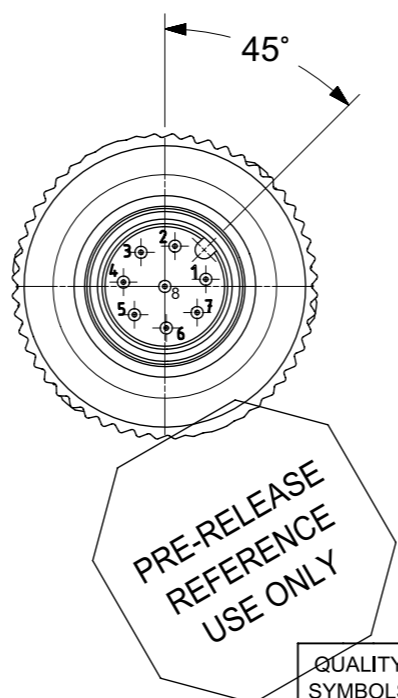
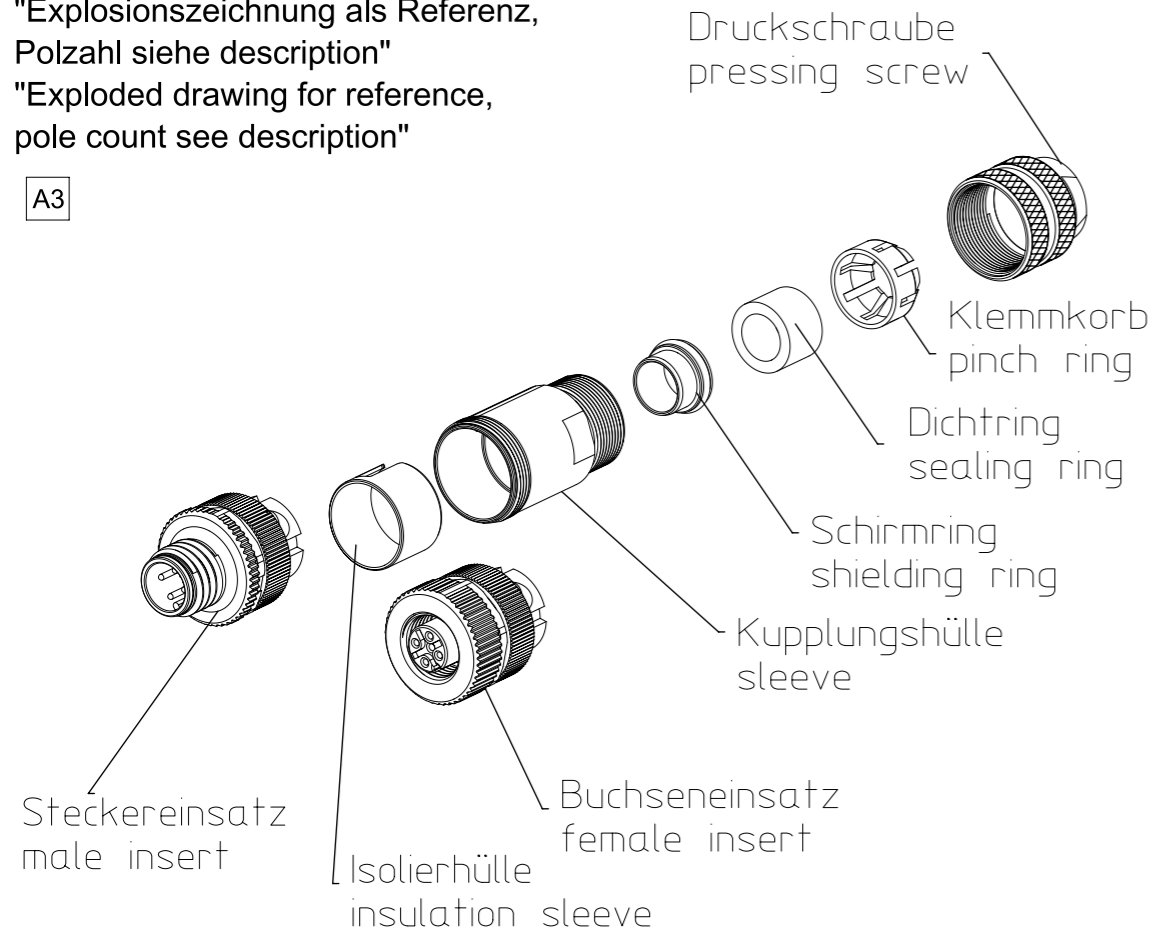


"Explosionszeichnung als Referenz, Polzahl siehe description"  
 "Exploded drawing for reference, pole count see description"

A3



NOTES:

- 1. LOCKING SYSTEM: SCREW  
 WIRE GAUGE: 0.50mm<sup>2</sup>  
 CABLE OUTLET: 6 - 8mm
- 2. ELECTRICAL DATA:  
 CURRENT RATING: 2A  
 VOLTAGE RATING: 30V
- 3. MECHANICAL:  
 OPERATING TEMP.: -40°C to +85°C  
 PROTECTION CLASS: IP67
- 4. MATERIAL:  
 CONTACT: CuZn (BRASS)  
 CONTACT PLATING: Au (GOLD)  
 HOUSING: zinc die cast  
 COUPLING NUT: CuZn (BRASS)

ENG.-NO: 8A8S06-32

THIS DRAWING CONTAINS INFORMATION THAT IS PROPRIETARY TO MOLEX ELECTRONIC TECHNOLOGIES, LLC AND SHOULD NOT BE USED WITHOUT WRITTEN PERMISSION

QUALITY SYMBOLS FA = 0 FE = 0 FB = 0 FV = 0 FC = 0 FX = 0 FS = 0 FT = 0	EC NO: 107393 DRWN: LRAMAMURTHY CHK'D: APPR:	2016/08/10 GENERAL TOLERANCES (UNLESS SPECIFIED) ANGULAR TOL ± 1.0 ° 4 PLACES ± 3 PLACES ± 2 PLACES ± 0.05 1 PLACE ± 0.3 0 PLACES ± 0.5 DRAFT WHERE APPLICABLE MUST REMAIN WITHIN DIMENSIONS	DIMENSION UNITS: MM SCALE: 2:1 DRWN BY: MSCHWARZ DATE: 2015/07/06 CHK'D BY: DATE: APPR BY: DATE:	DRAWING SIZE: A3 THIRD ANGLE PROJECTION	molex® FA M12 8P AC MA STR SCR SHLD PRODUCT CUSTOMER DRAWING	
	EC NO: 107393 DRWN: LRAMAMURTHY CHK'D: APPR:	EC NO: 107393 DRWN: LRAMAMURTHY CHK'D: APPR:	EC NO: 107393 DRWN: LRAMAMURTHY CHK'D: APPR:	EC NO: 107393 DRWN: LRAMAMURTHY CHK'D: APPR:	EC NO: 107393 DRWN: LRAMAMURTHY CHK'D: APPR:	SERIES: 120071 MATERIAL NUMBER: 1200710082 CUSTOMER: GENERAL MARKET
	EC NO: 107393 DRWN: LRAMAMURTHY CHK'D: APPR:	EC NO: 107393 DRWN: LRAMAMURTHY CHK'D: APPR:	EC NO: 107393 DRWN: LRAMAMURTHY CHK'D: APPR:	EC NO: 107393 DRWN: LRAMAMURTHY CHK'D: APPR:	EC NO: 107393 DRWN: LRAMAMURTHY CHK'D: APPR:	DOCUMENT NUMBER: 1200710082 DOC TYPE: PSD DOC PART: 000 SHEET NUMBER: 1 OF 1
	EC NO: 107393 DRWN: LRAMAMURTHY CHK'D: APPR:	EC NO: 107393 DRWN: LRAMAMURTHY CHK'D: APPR:	EC NO: 107393 DRWN: LRAMAMURTHY CHK'D: APPR:	EC NO: 107393 DRWN: LRAMAMURTHY CHK'D: APPR:	EC NO: 107393 DRWN: LRAMAMURTHY CHK'D: APPR:	DOCUMENT NUMBER: 1200710082 DOC TYPE: PSD DOC PART: 000 SHEET NUMBER: 1 OF 1