

TABLE 1

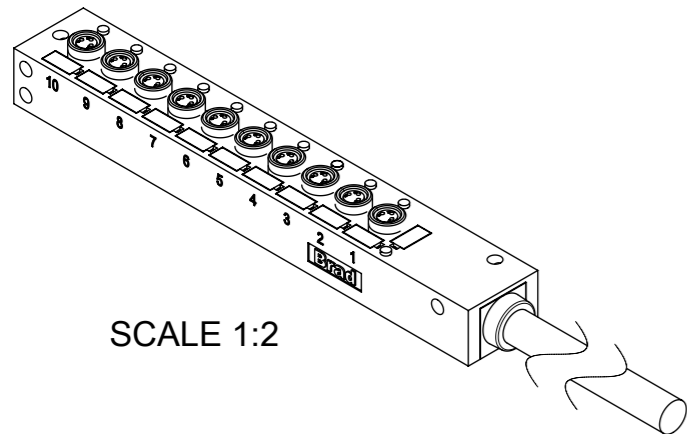
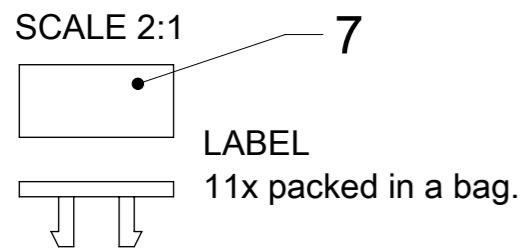
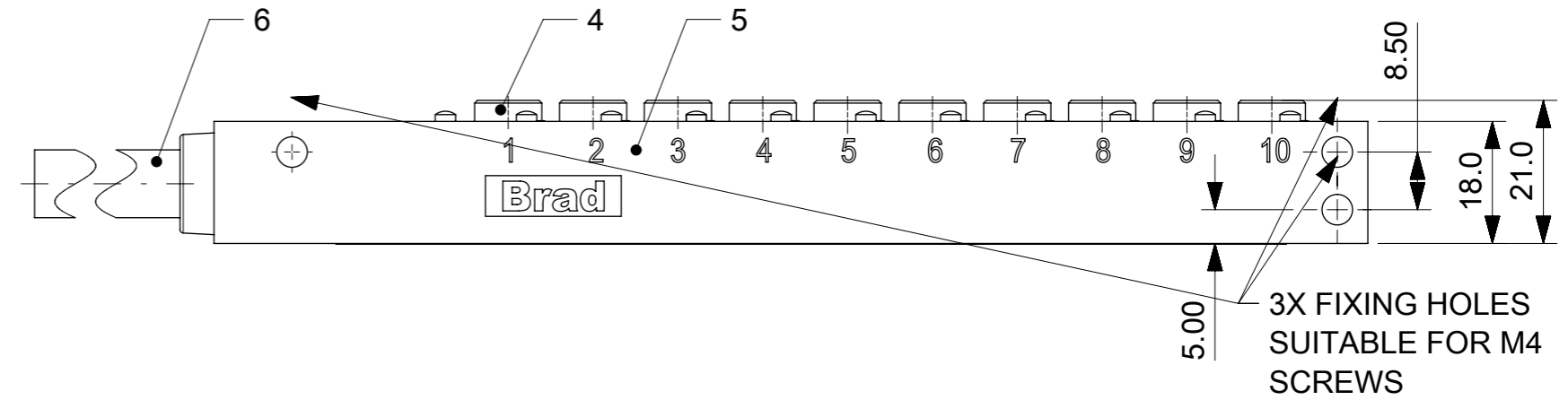
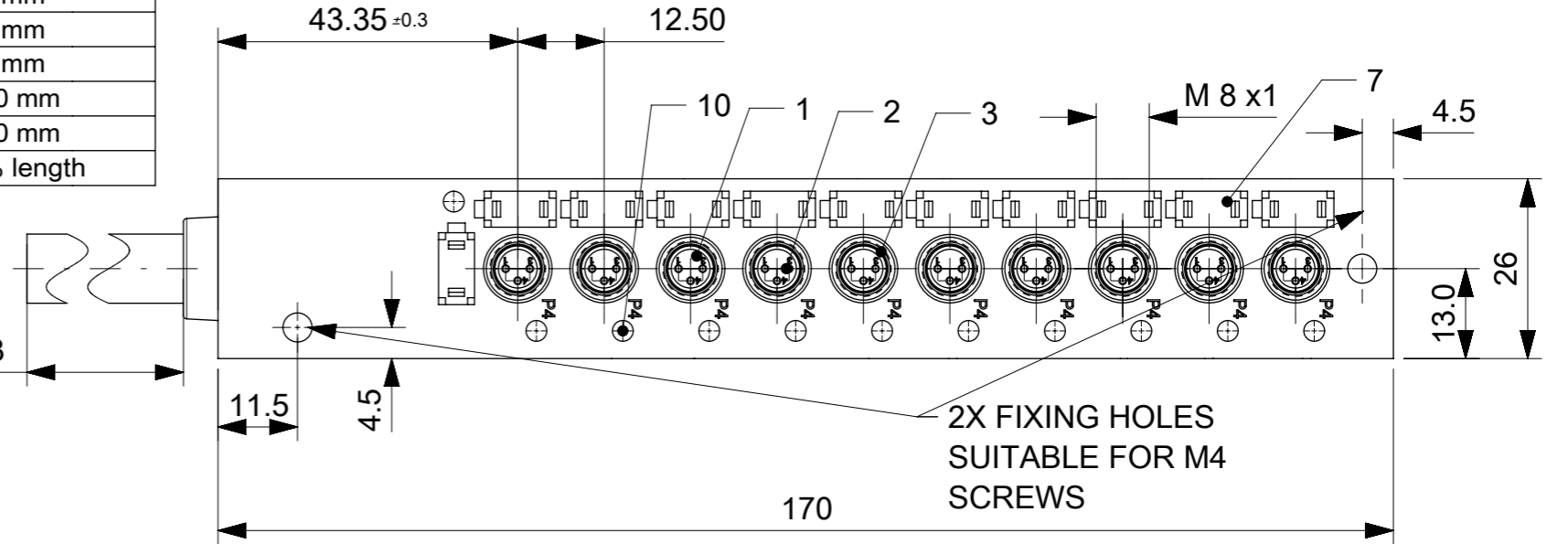
MOLEX P/N	ENG. NO.	CABLE LENGTH+TOL. (mm)	LED
1202470005	BEBA01P-FBW-003	300	YES
1202470006	BEBA01P-FBW-05	5000	YES
1202470007	BEBA01P-FBW-10	10000	YES
1202470008	BEBA01P-FBW-15	15000	YES
1202470009	BEBA01P-FBW-20	20000	YES
1202470037	BEBA010-FBW-05	5000	NO
1202470038	BEBA010-FBW-10	10000	NO
1202470039	BEBA010-FBW-15	15000	NO

TABLE 3

CABLE LENGTH TOLERANCES	
LENGTH	TOLERANCE
0m-1m	+40 mm
>1m-5m	+60 mm
>5m-10m	+80 mm
>10m-20m	+140 mm
>20m-30m	+160 mm
>30m	+1% length

TABLE 2

ITEM	COMPONENT	MATERIAL	FINISH
1	INSERT	TPU	BLACK
2	CONTACT SOCKET	COPPER ALLOY	GOLD OVER NICKEL
3	O-RING	VITON	RED
4	RECEPTACLE SHELL	BRASS	NICKEL PLATED
5	HOUSING	PBT	BLACK
6	CABLE	TPU	BLACK
7	LABEL	ABS	WHITE
8	LABLE ADHESIVE	PE	WHITE
9	CABLE PLATE	PBT	BLACK
10	LED	NO LED = PA WITH LED = PA	BLACK TRANSPARENT
11	RESIN	EPOXY	TRANSPARENT

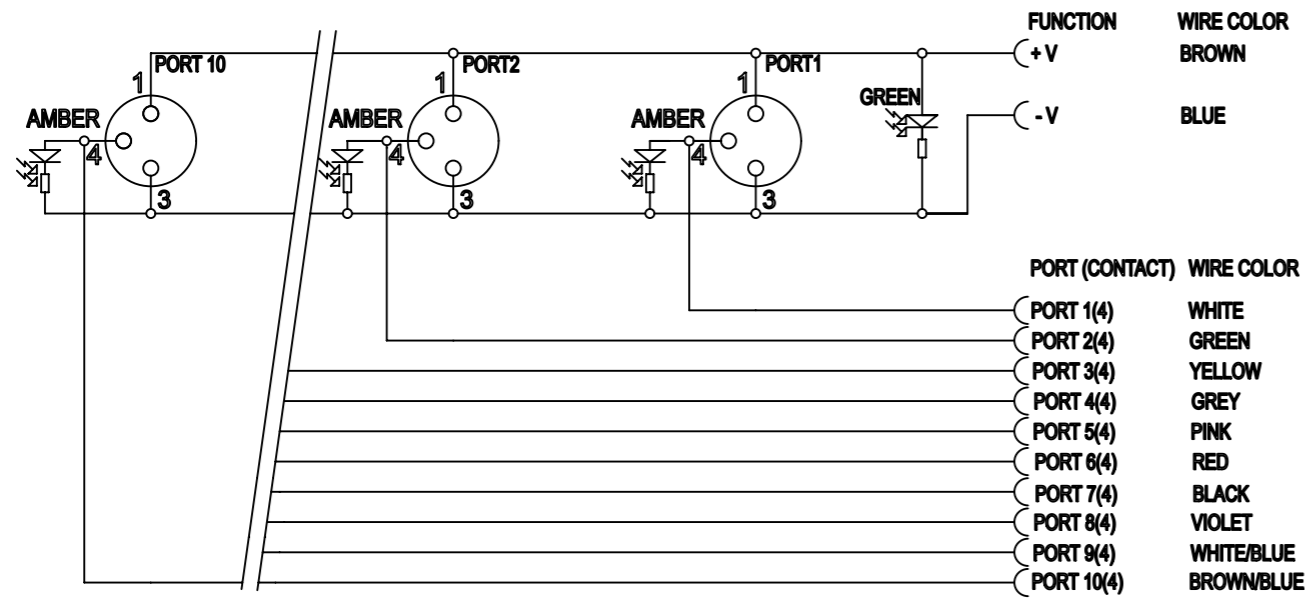


GENERAL CHARACTERISTICS:

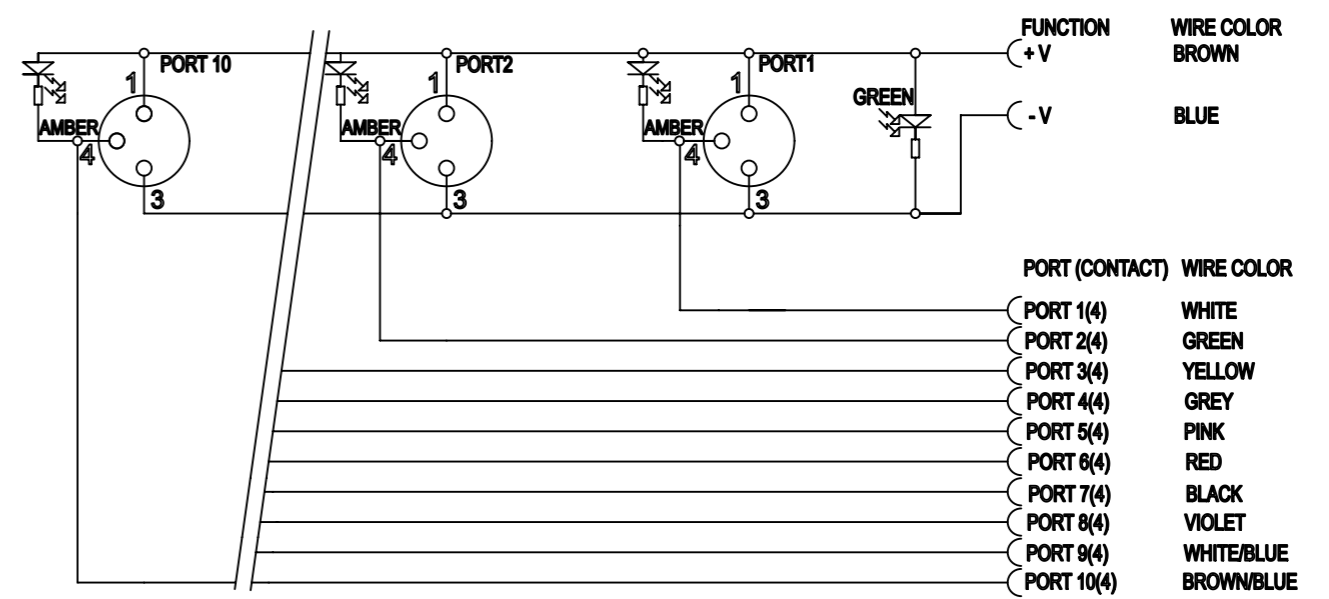
NOMINAL VOLTAGE: 24 V DC
 RATED CURRENT: 2 A PER PORT / 6 A MAX: TOTAL
 IP DEGREE OF PROTECTION: IP 68
 TEMPERATURE RANGE: -25°C to + 85°C

SYMBOLS		THIS DRAWING CONTAINS INFORMATION THAT IS PROPRIETARY TO MOLEX ELECTRONIC TECHNOLOGIES, LLC AND SHOULD NOT BE USED WITHOUT WRITTEN PERMISSION	
DIMENSION UNITS	SCALE	CURRENT REV	DESC: CABLE LENGTH TOLERANCES ADDED
mm	1:1	631956	
GENERAL TOLERANCES (UNLESS SPECIFIED)		DRWN: RSCHIEBER	2020/02/11
ANGULAR TOL	± °	CHK'D: RSILLER	2020/02/12
4 PLACES	±	APPR: RSILLER	2020/02/12
3 PLACES	±	INITIAL REVISION:	
2 PLACES	± 0.2	DRWN: ULETENMEIER	2015/01/20
1 PLACE	± 0.3	APPR: RSILLER	2015/04/22
0 PLACES	± 0.5	THIRD ANGLE PROJECTION	
DRAFT WHERE APPLICABLE MUST REMAIN WITHIN DIMENSIONS		DRAWING	SERIES
		A3-SIZE	120247
		MATERIAL NUMBER	CUSTOMER
		SEE TABLE 1	GENERAL MARKET
		DOC TYPE	DOC PART
		PSD	000
		REVISION	B1
		SHEET NUMBER	1 OF 2

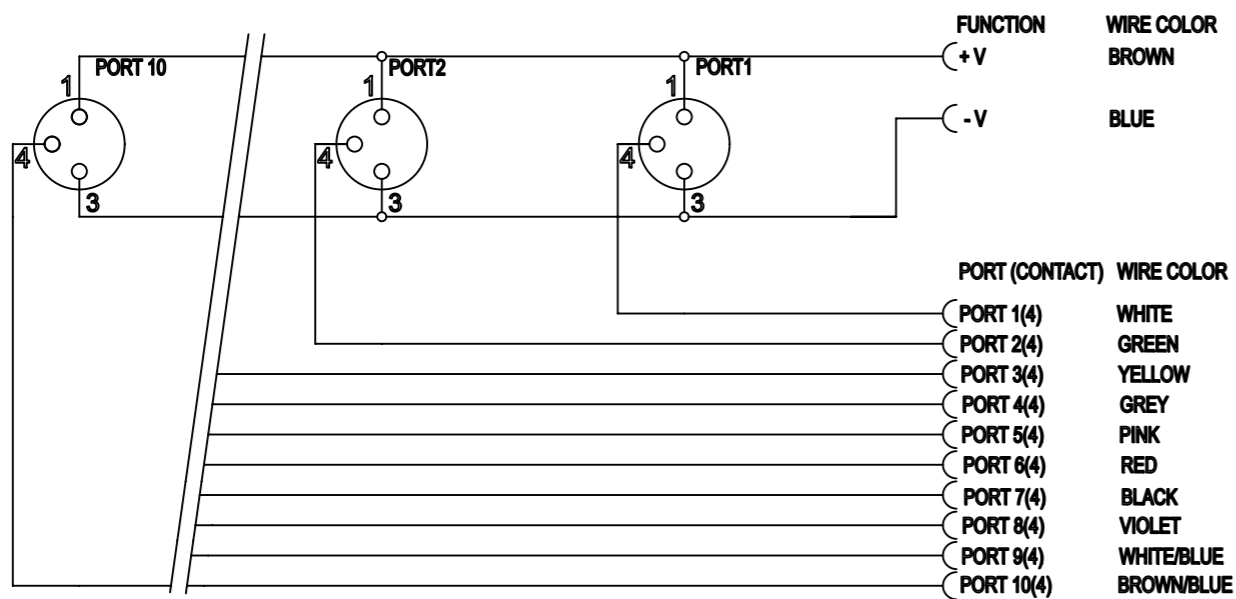
Wiring Diagram PNP Single



Wiring Diagram NPN Single



Wiring Diagram NON LED Single



SYMBOLS DIMENSION UNITS: mm SCALE: 1:1 GENERAL TOLERANCES (UNLESS SPECIFIED): ANGULAR TOL: ± ° 4 PLACES: ± 3 PLACES: ± 2 PLACES: ± 0.2 1 PLACE: ± 0.3 0 PLACES: ± 0.5 DRAFT WHERE APPLICABLE MUST REMAIN WITHIN DIMENSIONS	THIS DRAWING CONTAINS INFORMATION THAT IS PROPRIETARY TO MOLEX ELECTRONIC TECHNOLOGIES, LLC AND SHOULD NOT BE USED WITHOUT WRITTEN PERMISSION		CURRENT REV DESC: CABLE LENGTH TOLERANCES ADDED		
	EC NO: 631956 DRWN: RSCHIEBER 2020/02/11 CHK'D: RSILLER 2020/02/12 APPR: RSILLER 2020/02/12		PRODUCT CUSTOMER DRAWING		
	INITIAL REVISION: DRWN: ULETTENMEIER 2015/01/20 APPR: RSILLER 2015/04/22		DOCUMENT NUMBER: 1202470005	DOC TYPE: PSD DOC PART: 000 REVISION: B1	
	THIRD ANGLE PROJECTION	DRAWING: A3-SIZE	SERIES: 120247	MATERIAL NUMBER: SEE TABLE 1 CUSTOMER: GENERAL MARKET SHEET NUMBER: 2 OF 2	