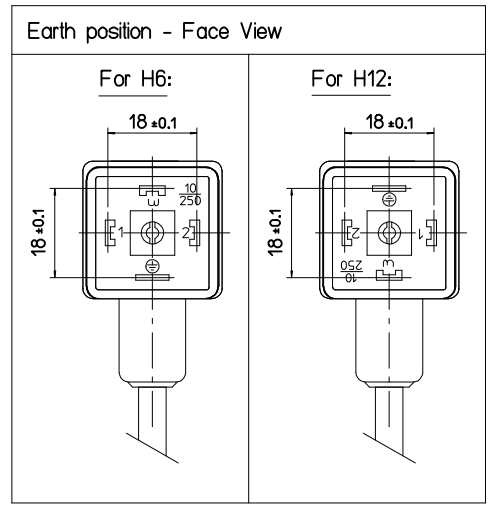
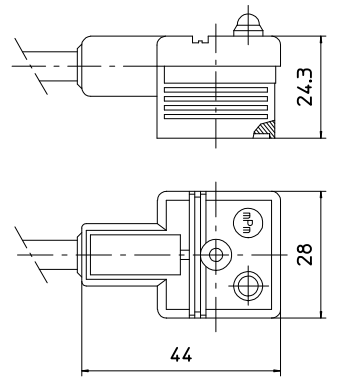
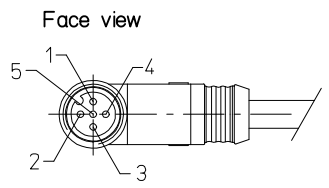
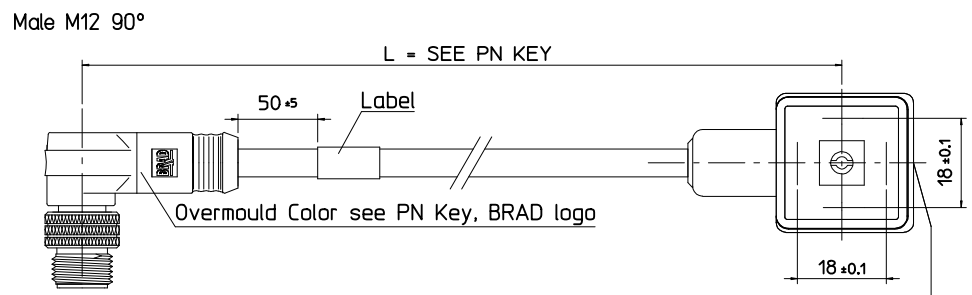
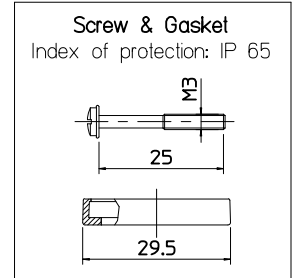


Over	Up to and including	Tolerance
0	1000	±20
1000	3000	±30
3000	5000	±40
5000	10000	±50
10000	15000	±100
15000	20000	±150
20000		±L/100



PART No MATRIX - PN Key

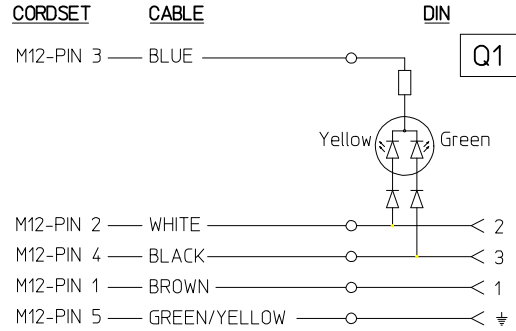
J	8	5	0	N	X	X	X	X	X	X	X	X	X	X
J = Form A 38-IE (16mm contact spacing)	8 = MMC Single Keyway	5=5 Pole	Electrical configuration: 0N = Circuit type 01 Two color's LED: Yellow & Green 24V		XXX = Cable Type			M = Metres F = Feet	Length: 020-2 Meters 050-5 Meters 200-20 Meters					
					DIN Earth Position - o'clock & M12 connector body: 2 = Earth H6, MALE 90° 3 = Earth H12, MALE 90°									
													Coupling Nut Material: Blank-Standard 1=Stainless Steel 5=Delrin 7=Teflon coat	

OPTIONS

H/D Carrier	M12 Overmoulding color: Blank-Black Standard Y=Yellow A=Grey
-------------	---

<p>ORIGINAL RELEASE</p> <p>EC NO: IPG2015-2/150</p> <p>DRWN: JMARSZALEK 2013/11/16</p> <p>CHKD:</p> <p>APPR: MIWASIECZKO 2015/06/24</p>	<p>QUALITY SYMBOLS</p> <p>▽=0</p> <p>∇=0</p>	GENERAL TOLERANCES (UNLESS SPECIFIED)		DIMENSION STYLE		SCALE	DESIGN UNITS	<p>FIRST ANGLE PROJECTION</p>		
				MM ONLY			METRIC			
		4 PLACES	±	---	±	---	DRAWN BY		DATE	TITLE
		3 PLACES	±	---	±	---	JMARSZALEK		2013/11/16	J850N2XXXXXXXXX J850N3XXXXXXXXX DIN A + CORDSETS M12
2 PLACES	±	---	±	---	CHECKED BY	DATE				
1 PLACE	±	---	±	---	APPROVED BY	DATE				
0 PLACE	±	---	±	---	MIWASIECZKO	2015/06/24				
		ANGULAR ±---°		SEE SHEET 2		DOCUMENT NO.		SHEET NO.		
DRAFT WHERE APPLICABLE MUST REMAIN WITHIN DIMENSIONS				SIZE		SD-121036-011		1 OF 2		
				A3		THIS DRAWING CONTAINS INFORMATION THAT IS PROPRIETARY TO MOLEX INCORPORATED AND SHOULD NOT BE USED WITHOUT WRITTEN PERMISSION				

Electrical diagram with circuit Q1:



Cable type

Cable Type	Jacket Material	Jacket Color	Wire cross section	Braid
I26	CEI	Grey	0.34mm ²	yes
P12	PUR	Black	0.5mm ²	no

PART LIST

Pos.	Mollex PN:	Engineering No.:
1	1210360336	J850N2P12M030
2	1210360341	J850N3P12M010
3		
4		
5		
6		
7		
8		
9		
10		
11		
12		
13		
14		
15		
16		
17		
18		
19		
20		
21		
22		
23		
24		
25		
26		
27		
28		
29		
30		
31		
32		
33		
34		
35		
36		
37		
38		
39		
40		

ORIGINAL RELEASE EC NO: IPG2015-2150 DRWN: JMARSZALEK 2013/11/16 CHKD: APPR: MIWASIECZKO 2015/06/24	QUALITY SYMBOLS ▽=0 ◻=0	GENERAL TOLERANCES (UNLESS SPECIFIED)		DIMENSION STYLE MM ONLY		SCALE 1:1	DESIGN UNITS METRIC	FIRST ANGLE PROJECTION			
				DRAWN BY: JMARSZALEK DATE: 2013/11/16		TITLE J850N2XXXXXXXXX J850N3XXXXXXXXX DIN A + CORDSETS M12					
				CHECKED BY: DATE:		APPROVED BY: MIWASIECZKO DATE: 2015/06/24		MATERIAL NO.			
				4 PLACES ± --- ± --- 3 PLACES ± --- ± --- 2 PLACES ± --- ± --- 1 PLACE ± --- ± --- 0 PLACE ± --- ± --- ANGULAR ± --- °		SEE TABLE		DOCUMENT NO. SD-121036-011		SHEET NO. 2 OF 2	
		DRAFT WHERE APPLICABLE MUST REMAIN WITHIN DIMENSIONS		THIS DRAWING CONTAINS INFORMATION THAT IS PROPRIETARY TO MOLEX INCORPORATED AND SHOULD NOT BE USED WITHOUT WRITTEN PERMISSION							