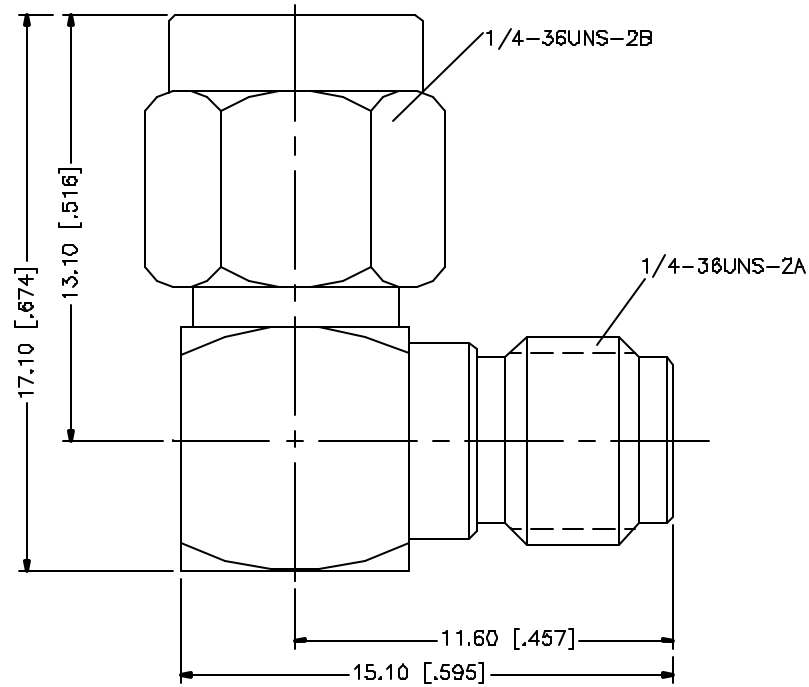


REV.	DATE	DESCRIPTION
NC	08/01/99	INITIAL RELEASE
A	05/01/04	UPDATE DRAWING FORMAT



				UNLESS OTHERWISE SPECIFIED DIMENSIONS ARE IN MILLIMETERS DIMENSIONS IN [] ARE IN INCHES AND FOR CUSTOMER REFERENCE ONLY.	APPROVALS	DATE	Amphenol Connex				
8				<p>UNLESS OTHERWISE SPECIFIED TOLERANCES FOR MILLIMETERS ARE: 0.5 - 8mm ± 0.20mm 8 - 30mm ± 0.40mm 30 - 120mm ± 0.50mm</p> <p>UNLESS OTHERWISE SPECIFIED TOLERANCES FOR INCHES ARE: .020 - .315 = ± 0.007" .315 - 1.180 = ± 0.015" 1.180 - 4.724 = ± 0.020"</p> <p>DO NOT SCALE DRAWING</p>	DRAWN	G.R.S.					05/01/04
7					CHECKED			PART NO. 132172			
6					ISSUED						
5					SHEET	1 OF 1					
4	CONTACT PIN	BER. COPPER	GOLD		1	CAD FILE C:/132/132172.DWG					
3	CONTACT PIN	BRASS	GOLD		1						
2	INSULATOR	TEFLON	NATURAL		1						
1	HOUSING/BODY	BRASS	GOLD		1						
	DESCRIPTION	MATERIAL	FINISH	QTY							