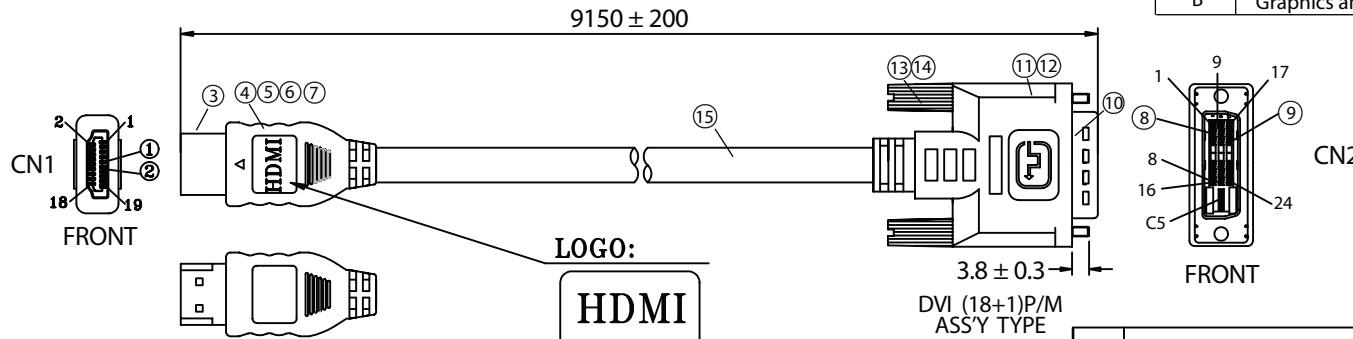


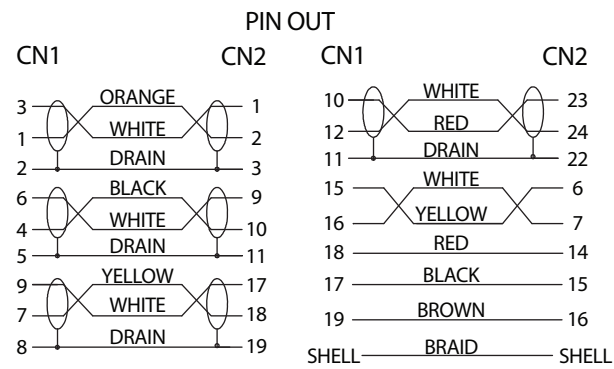
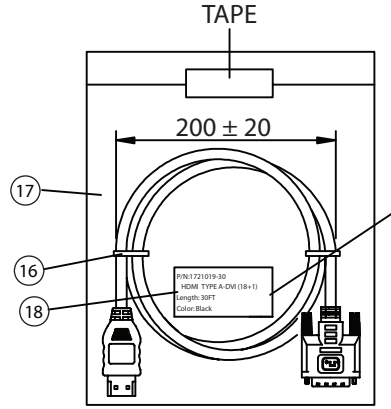
| REVISION | | | |
|----------|--|----------|----------|
| REV. | DESCRIPTION | DATE | APPROVED |
| A | Changed HDMI/M Mold Design / | 03-12-07 | DP |
| | Changed from Crimp Terminal to Solder Terminal | | |
| B | Graphics and Notes Update | 01-28-08 | DP |

THESE DRAWINGS ARE THE PROPERTY OF QUALTEK ELECTRONICS AND NOT TO BE REPRODUCED FOR OR COMMUNICATED TO A THIRD PARTY WITHOUT THE EXPRESS WRITTEN PERMISSION OF AN OFFICER OF QUALTEK ELECTRONICS.

CONTROLLED



HDMI/M MOLDED TYPE



NOTES:

- CABLE: UL20276
 [(26AWGx1P+DW+FOIL)x4+28AWGx3C+28AWGx1P+MYLAR+FOIL+BD]x1
 OUTER PVC JACKET: BLACK, OD: 8.0 ± 0.2mm, COLOR: BLACK
 CHARACTER IMPEDENCE: 100 ohm
 PRINTING: "E166307 AWM STYLE 20276 26AWG 80°C 30V VW-1
 LOW VOLTAGE COMPUTER CABLE"
- CONNECTORS: HDMI MALE TO DVI (18+1) MALE.
- HOOD: MOLDED TYPE, COLOR: BLACK
 COPPER FOIL MUST BE SOLDERED 360° AROUND THE CONNECTOR SHELL
- ELECTRICAL TEST:
 <1>.100% OPEN SHORT & MISS WIRE TEST
 <2>.INSULATION RESISTANCE: DC400V 10M ohm MIN.
 <3>.CONDUCTOR RESISTANCE: 3 ohm MAX.
- PACKING: 1PCS/POLYBAG

| No. | PARTS NAME | SPECIFICATION STANDARD | QTY | REMARKS |
|-----|---------------------------|---------------------------------|-----|---------|
| ① | HDMI/M - CONTACT | BRASS / GOLD FLASH | 19 | |
| ② | HDMI/M - INSULATOR | PBT / BLACK | 1 | |
| ③ | HDMI/M - SHELL | STEEL / NICKEL PLATED | 1 | |
| ④ | PCB | | 1 | |
| ⑤ | HDMI/M - INNER MOLD | PE NATURAL | 1 | |
| ⑥ | HDMI/M - COPPER FOIL | WIDTH: 20mm | 1 | |
| ⑦ | HDMI/M - OUTER MOLD | 60P PVC / COLOR: BLACK | 1 | |
| ⑧ | DVI (18+1)P/M - CONTACT | BRONZE / GOLD FLASH SOLDER TYPE | 19 | |
| ⑨ | DVI (18+1)P/M - INSULATOR | THERMOPLASTIC / BLACK UL94-V0 | 1 | |
| ⑩ | DVI (18+1)P/M - SHELL | STEEL NICKEL PLATED | 1 | |
| ⑪ | CAN | STEEL TIN PLATED ID: 8.5mm | 1 | |
| ⑫ | DVI (18+1)P/M - COVER | 45P PVC / COLOR: BLACK | 1 | |
| ⑬ | THUMB SCREW | #4-40 2.8x45, NICKEL PLATED | 2 | |
| ⑭ | SCREW-MOLD | 35P PVC / COLOR: BLACK | 2 | |
| ⑮ | CABLE | KL03035ABK01A | 1 | |
| ⑯ | MINI TIE | PE / BLACK | 2 | |
| ⑰ | POLYBAG | PE / 0.8x220x250mm | 1 | |
| ⑱ | LABEL | WHITE BOTTOM BLACK WORD | 1 | |

| Dim range (mm) | Tolerance +/- (mm) | Qualtek Electronics Corp. WCT DIVISION | | |
|----------------|--------------------|---|----------------|-----------------|
| | | Part Number: 1721019-30 | | RoHS Compliant |
| 0-1 | 0.15 | Description: HDMI/M - DVI (18+1)P/M | | |
| 1-6 | 0.20 | | | |
| 6-18 | 0.30 | UNIT: mm | REV. B | |
| 18-50 | 0.50 | | | |
| 50-120 | 0.70 | Drawn / Date | Checked / Date | Approved / Date |
| 120-250 | 0.90 | B. Grubb | 01-25-07 | JJH / 01-25-07 |
| 250-500 | 1.20 | | | |