

ITEM	PART#	DESCRIPTION	QTY	UOM
A	2053410205	PICO-LOCK 2.0 W/B REC HSG 5P	1	PC
B	2053425028	PICO-LOCK 2.0 W/B REC TERM PL AWG#20-22	5	PC
C	--	PAPER PRINTED PAPER WHITE	1	PC

FROM	TO	DESCRIPTION	COLOR
A1	--	1X20AWG DISC SR-PVC BK UL10002	BLACK
A2	--	1X20AWG DISC SR-PVC BK UL10002	BLACK
A3	--	1X20AWG DISC SR-PVC BK UL10002	BLACK
A4	--	1X20AWG DISC SR-PVC BK UL10002	BLACK
A5	--	1X20AWG DISC SR-PVC BK UL10002	BLACK

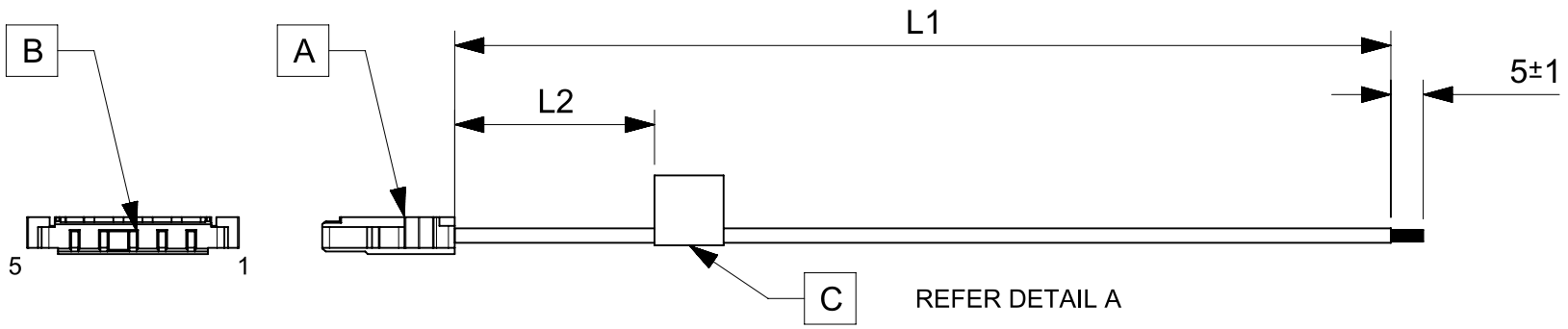


TABLE			
PART NUMBER	L1	L2 (REF)	TITLE
2196572050	50±3	15	Pico-Lock 2.0 R-S 5ckt 50mm disc Au
2196572051	100±3	15	Pico-Lock 2.0 R-S 5ckt 100mm disc Au
2196572052	150±4	15	Pico-Lock 2.0 R-S 5ckt 150mm disc Au
2196572053	300±4	15	Pico-Lock 2.0 R-S 5ckt 300mm disc Au
2196572054	600±6	15	Pico-Lock 2.0 R-S 5ckt 600mm disc Au

- NOTES**
1. Connector view shown is from mating side.
 2. Label text must be 2mm max. in height with Arial font.
 3. Label must be wrapped in Flag type on a single cable.
 4. Free ends must be stripped, twisted & tinned. The length of tinning is 5±1mm. Tinning Dia must be 1.25mm Max.

MOLEX P/N
MOLEX
BATCH WK/YR
DETAIL A

REVISION			
DATE	REV	DESCRIPTION	CHANGER
2021/12/27	A	INITIAL RELEASE	SAIKIG

FUNCTIONAL SYMBOLS $\nabla_A = 0$ $\nabla_E = 0$ $\nabla_P = 0$ DIVISIONAL SYMBOLS	THIS DRAWING CONTAINS INFORMATION THAT IS PROPRIETARY TO MOLEX ELECTRONIC TECHNOLOGIES, LLC AND SHOULD NOT BE USED WITHOUT WRITTEN PERMISSION		CURRENT REV DESC:				
	DIMENSION UNITS	SCALE	GENERAL TOLERANCES (UNLESS SPECIFIED)				
	mm	NTS	ANGULAR TOL ± °				
	4 PLACES ±		3 PLACES ±				
3 PLACES ±		2 PLACES ±		EC NO: 690897	PRODUCT CUSTOMER DRAWING DOCUMENT NUMBER: 2196572050 DOC TYPE: PSD DOC PART: 000 REVISION: A		
2 PLACES ±		1 PLACE ±		DRWN: SAIKIG 2021/12/27			
1 PLACE ±		0 PLACES ±		CHK'D: MNARAYAN01 2022/01/13			
0 PLACES ±		INITIAL REVISION:		APPR: MNARAYAN01 2022/01/13			
DRAFT WHERE APPLICABLE MUST REMAIN WITHIN DIMENSIONS		THIRD ANGLE PROJECTION	DRAWING	SERIES	MATERIAL NUMBER	CUSTOMER	SHEET NUMBER
			A4-SIZE	219657	SEE TABLE	GENERAL MARKET	1 OF 1