

High Frequency Ceramic Solutions

**Mini Passive RF Diplexer 2.5/6.1GHz for 802.11-WLAN-WiFi,
EIA 0603 with LPF/BPF Filtering Scheme**

P/N 2450DP14B6100

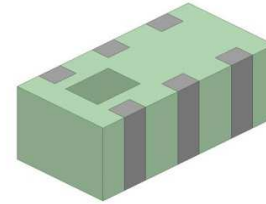
Detail Specification: 4/28/2021

Page 1 of 4

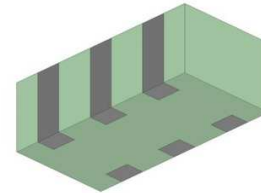
Not exactly what you are looking for and want to see our other diplexers? Go to: <https://www.johansontechnology.com/diplexers>

General Specifications

Part Number	2450DP14B6100	
Passband (MHz)	2400 - 2500	5170 - 7125
Insertion Loss (dB)	0.6 max.	0.9 max.
Return Loss (dB)	12 min.	10 min.
Attenuation (dB)		35 min. @ .070-.108GHz
		35 min. @ .7-.915GHz
		15 min. @ .915-.960GHz
		30 min. @ 1.425-1.47GHz
		28 min. @ 1.47-1.557GHz
		26 min. @ 1.557-1.607GHz
	2 min. @ 3.3-4.8GHz	35 min. @ 1.71-1.785GHz
	33 min. @ 4.8-5GHz	26 min. @ 1.805-1.85GHz
	25 min. @ 5.17-7.125GHz	35 min. @ 1.85-1.91GHz
	25 min. @ 7.2-7.5GHz	35 min. @ 1.91-2.02GHz
	27 min. @ 9.6-10GHz	23 min. @ 2.11-2.2GHz
	20 min. @ 12-12.5GHz	26 min. @ 2.3-2.4GHz
		25 min. @ 2.4-2.5GHz
		20 min. @ 2.5-2.69GHz
	10 min. @ 3.4-3.8GHz	
	25 min. @ 10.34-14.25GHz	
	30 min. @ 15.51-19.5GHz	
	22 min. @ 19.5-21.375GHz	



Top



Bottom

Power Capacity (W)	3 max. (CW)
Operating Temp.	-40 to +85 °C
Recommended Storage Conditions and Period for Unused Product on T&R	+5°C to +35°C Humidity 45 - 75% RH 18 months max.
Reel Quantity (pcs/reel)	4,000

Part Number Explanation

P/N Suffix	Packing Style	Bulk (loose pcs.)	Suffix = S	e.g. 2450DP14B6100S
		T & R	Suffix = T	e.g. 2450DP14B6100T
	Termination Style	100% Tin	Suffix = None	e.g. 2450DP14B6100(T or S)
	Evaluation Board	2450DP14A6100-EB1SMA		

Mechanical Dimensions

	In	mm
L	0.063 ± 0.004	1.6 ± 0.1
W	0.031 ± 0.004	0.8 ± 0.1
T	0.028 max	0.7 max
a	0.008 ± 0.004	0.2 ± 0.1
b	0.008 +.004/-.006	0.2 +0.1/-0.15
c	0.006 ± 0.004	0.15 ± 0.1
g	0.012 ± 0.004	0.3 ± 0.1
p	0.020 ± 0.002	0.5 ± 0.05

Terminal Configuration

No.	Function	No.	Function
1	GND	4	Low Freq Band
2	Common Port	5	GND
3	GND	6	High Freq Band



4001 Calle Tecate • Camarillo, CA 93012 • TEL 805.389.1166 FAX 805.389.1821
Ver. 1.0

<https://www.johansontechnology.com>

2021 Johanson Technology, Inc. All Rights Reserved

High Frequency Ceramic Solutions

Mini Passive RF Diplexer 2.5/6.1GHz for 802.11-WLAN-WiFi,
EIA 0603 with LPF/BPF Filtering Scheme

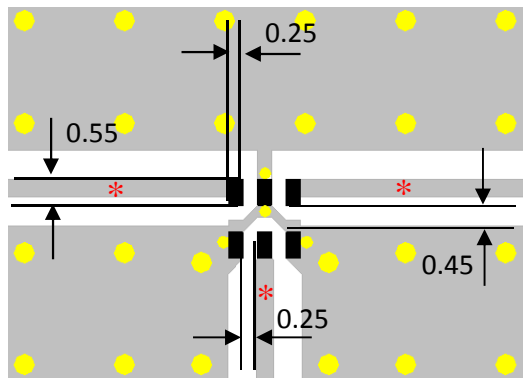
P/N 2450DP14B6100

Detail Specification: 4/28/2021

Page 2 of 4

Mounting Considerations

Units in mm



■ Solder Resist

■ Land

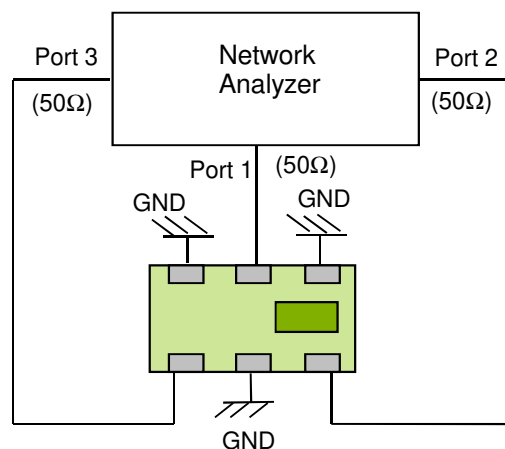
● Through-hole (ϕ 0.35)

● Through-hole (ϕ 0.2)

* Line width should be designed to maintain 50 Ω characteristic impedance (CPWG preferred), depending on PCB material and thickness.

Need help with the layout, s-parameters, simulation, or design validation?
Send us a message at: <https://www.johansontechnology.com/ask-a-question>

Measuring Diagram



Johanson Technology, Inc. reserves the right to make design changes without notice.
All sales are subject to Johanson Technology, Inc. terms and conditions.

JOHANSON
TECHNOLOGY



<https://www.johansontechnology.com>

4001 Calle Tecate • Camarillo, CA 93012 • TEL 805.389.1166 FAX 805.389.1821

Ver. 1.0

2021 Johanson Technology, Inc. All Rights Reserved

High Frequency Ceramic Solutions

Mini Passive RF Diplexer 2.5/6.1GHz for 802.11-WLAN-WiFi,
EIA 0603 with LPF/BPF Filtering Scheme

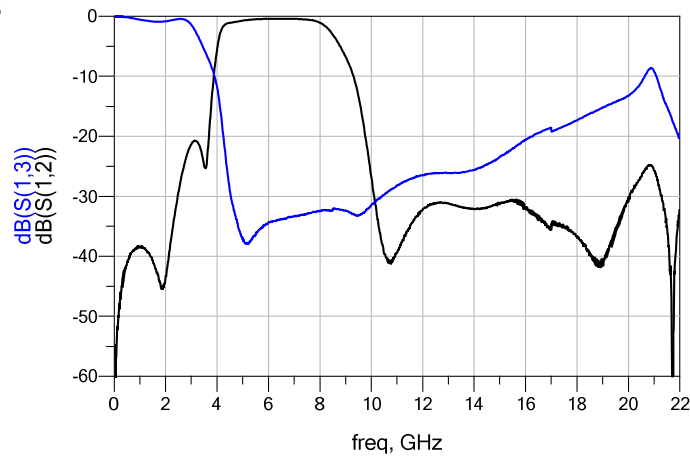
P/N 2450DP14B6100

Detail Specification: 4/28/2021

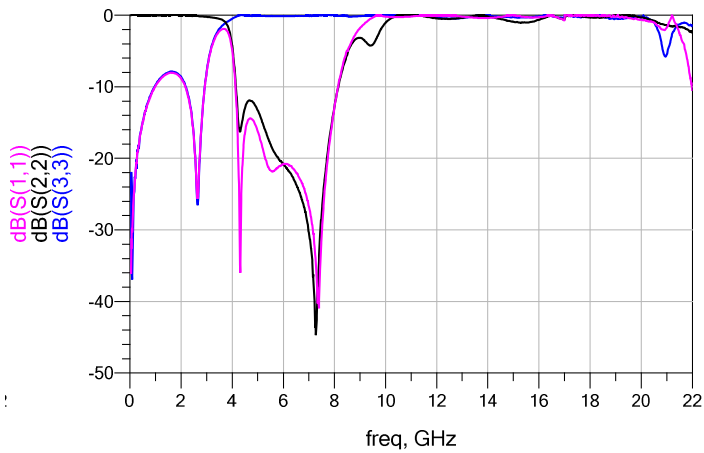
Page 3 of 4

Typical Electrical Characteristics (T=25 °C)

Insertion Loss



Return Loss



Johanson Technology, Inc. reserves the right to make design changes without notice.
All sales are subject to Johanson Technology, Inc. terms and conditions.



High Frequency Ceramic Solutions

Mini Passive RF Diplexer 2.5/6.1GHz for 802.11-WLAN-WiFi,
EIA 0603 with LPF/BPF Filtering Scheme

P/N 2450DP14B6100

Detail Specification: 4/28/2021

Page 4 of 4

Application Notes, Layout Files, and more

<https://www.johansontechnology.com/diplexers>

Packaging information

<https://www.johansontechnology.com/tape-reel-packaging>

Soldering Information

<https://www.johansontechnology.com/ipcsoldering-profile>

MSL Info

<https://www.johansontechnology.com/msl-rating>

Recommended Storage Condition and Max Shelf Life

<https://www.johansontechnology.com/recommended-storage-conditions>

RoHS Compliance

<https://www.johansontechnology.com/technical-notes/rohs-compliance>

Antenna layout and tuning techniques

<https://www.johansontechnology.com/tuning.html>

Antenna layout review, tuning, and characterization services

<https://www.johansontechnology.com/ipc-antenna-services>

Johanson Technology, Inc. reserves the right to make design changes without notice.
All sales are subject to Johanson Technology, Inc. terms and conditions.



<https://www.johansontechnology.com>
4001 Calle Tecate • Camarillo, CA 93012 • TEL 805.389.1166 FAX 805.389.1821
Ver. 1.0 2021 Johanson Technology, Inc. All Rights Reserved