

DESCRIPTION: M12 FEMALE - RIGHT ANGLE - 5 POS.

NOTE:

MATERIAL

HOUSING: PBT UL94V-0, BLACK  
 CONTACT: BRASS  
 NUT: BRASS  
 O-RING: EPDM, BLACK  
 BACK HOUSING: PBT, UL94V-0, BLACK  
 DOWN HOUSING: PBT, UL94V-0, BLACK

FINISH

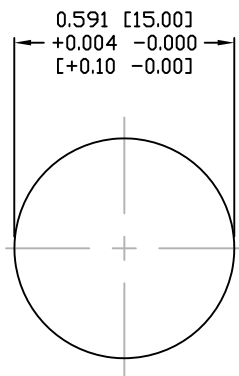
CONTACT: GOLD PLATED  
 UNDER PLATE: NICKEL  
 SHELL: STAIN NICKEL  
 (80-100µ") OVER ALL

ELECTRICAL

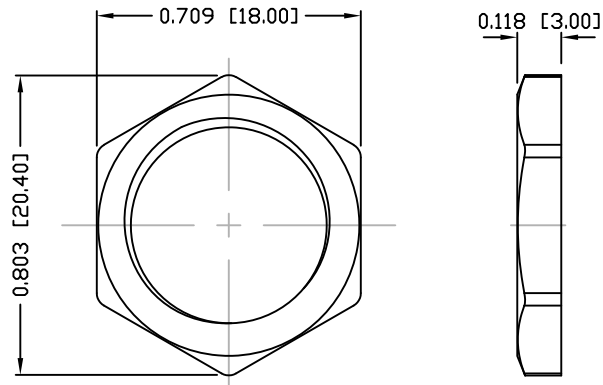
RATED CURRENT: 4A  
 RATED VOLTAGE: 60V  
 INSULATION RESISTANCE: 100 MΩhms MIN.  
 CONTACT RESISTANCE: 10 mΩhms MAX.  
 WATER PROOF: IP67

ENVIRONMENT

OPERATION TEMPERATURE: -40°C TO +85°C



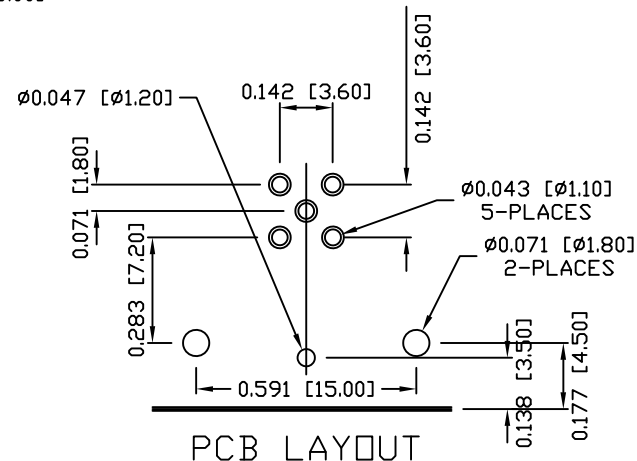
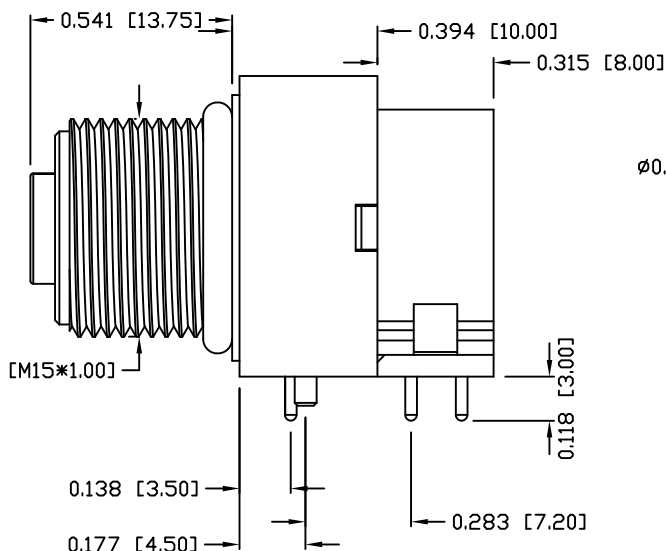
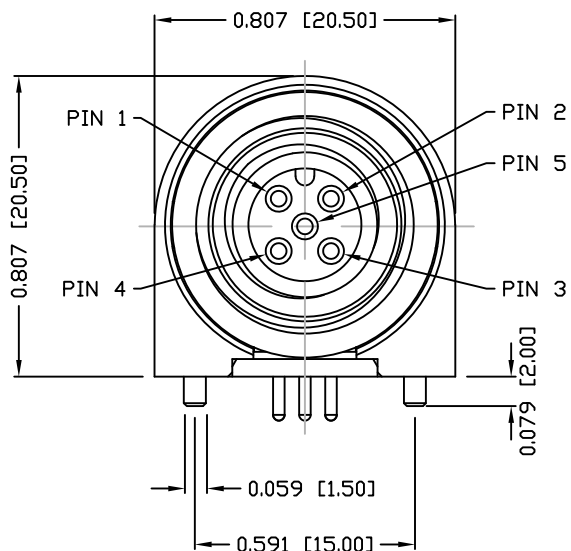
PANEL CUTOUT



NUT

861-005-213R00Y

3 = BRASS/NICKEL SHELL & NUT  
 S = STAINLESS STEEL SHELL & NUT  
 1 = GOLD FLASH  
 4 = 10µ" GOLD



PCB LAYOUT

RoHS COMPLIANT

UNITS = INCHES [MM]

DO NOT SCALE FROM DRAWING



THESE DRAWINGS AND SPECIFICATIONS ARE THE PROPERTY OF NorComp AND SHALL NOT BE REPRODUCED, COPIED OR USED AS THE BASIS FOR THE MANUFACTURE OR SALE OF APPARATUS WITHOUT WRITTEN PERMISSION.

DRAWN:

M. SIGMON

DATE:

03-07-16

NorComp

SCALE:

NTS

SHEET OF

1 1

REV

4

DWG NO.

861-005-213R00Y